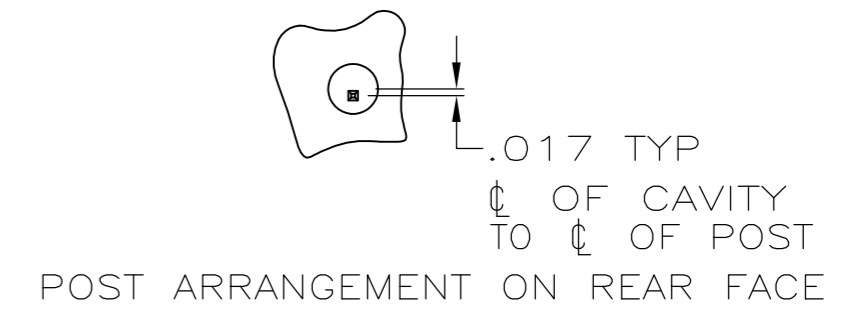
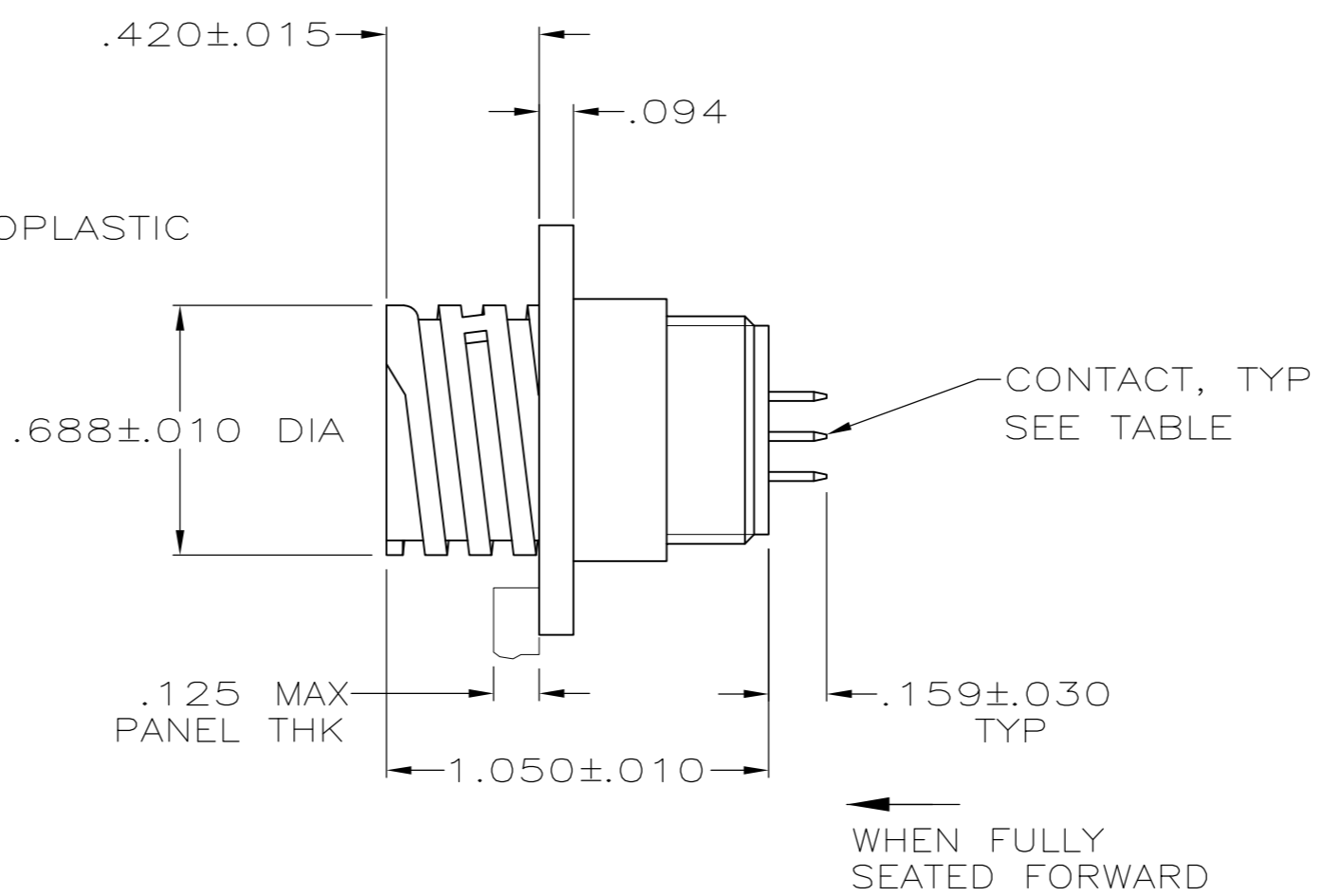
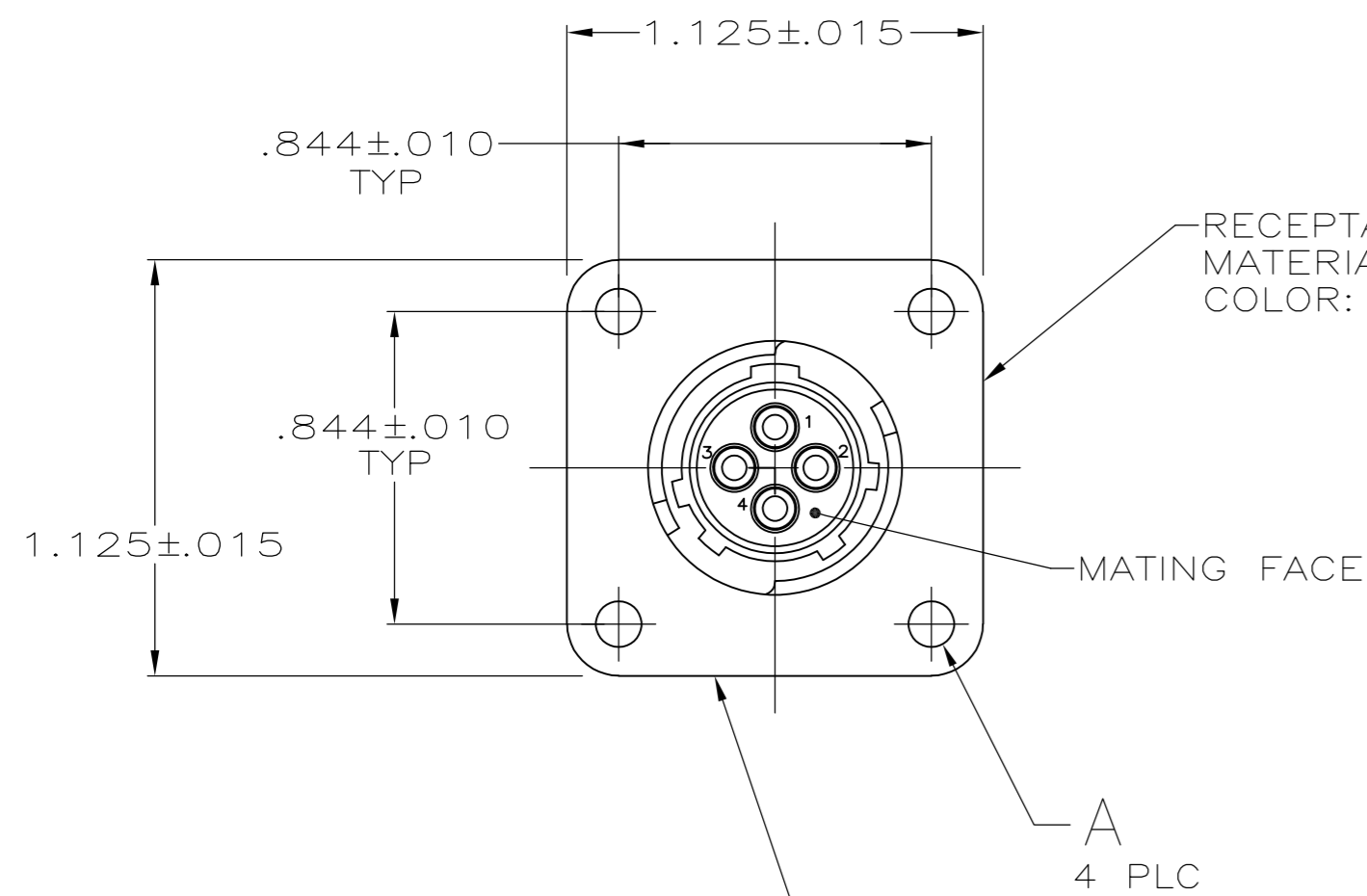


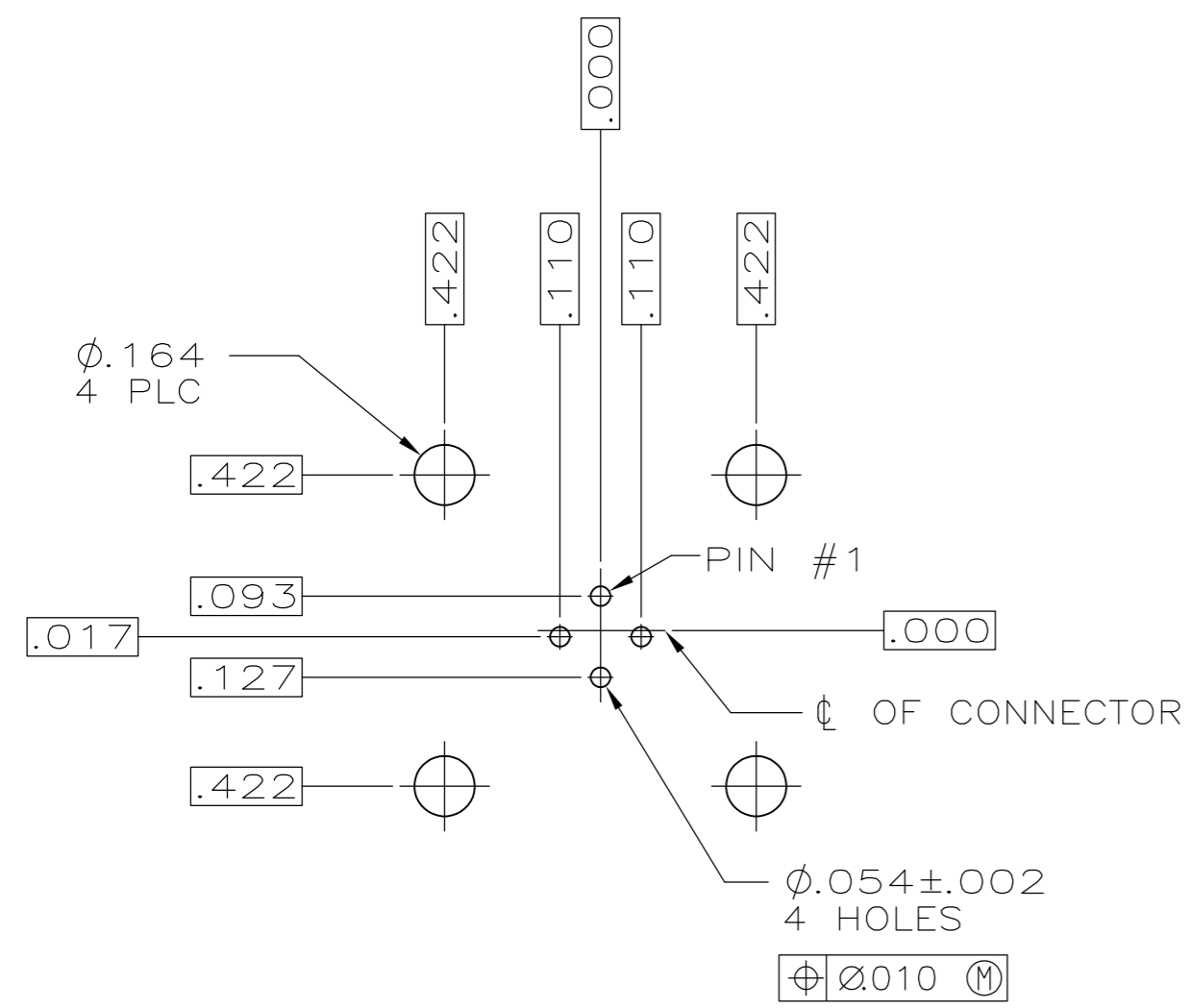
THIS DRAWING IS UNPUBLISHED. RELEASED FOR PUBLICATION
 © COPYRIGHT - By - ALL RIGHTS RESERVED.

REVISIONS					
P	LTR	DESCRIPTION	DATE	DWN	APVD
	L1	REVISED PER ECO-16-004800	10SEP2016	NK	MZ
	M	REVISED PER ECO-17-004657	05APR2017	RS	MZ



PART NUMBER AND DATE CODE MARKED ON ANY FLANGE EDGE

- △1 CONTACT BODY: GOLD PLATED PER MIL-G-45204 OVER NICKEL PER QQ-N-290. CONTACT POST: TIN-LEAD PER MIL-T-10727 OVER COPPER PER MIL-C-14550A.
- △2 CONTACT BODY: TIN-LEAD PLATED .000100 MIN. CONTACT POST: TIN-LEAD PLATED .000100 MIN.
- △3 CONTACT BODY: GOLD PLATED OVER NICKEL PER QQ-N-290. CONTACT POST: TIN OVER COPPER.
- △4 PRELIMINARY PART NUMBER.



RECOMMENDED P.C. BOARD LAYOUT

△4	OBSOLETE	△3	YES	.125 DIA	ALL	208283-8
	OBSOLETE	△3	NO	.125 DIA	1,2,3	-208283-7
	OBSOLETE	△3	NO	4-40UNC, INSERT, BRASS	1,3,4	208283-6
	OBSOLETE	△2	NO	.125 DIA	ALL	-208283-5
		△3	NO	.125 DIA	ALL	208283-4
△4	OBSOLETE	△1	YES	.125 DIA	ALL	208283-3
	OBSOLETE	△1	NO	4-40UNC, INSERT, BRASS	1,3,4	208283-2
		△1	NO	.125 DIA	ALL	208283-1

FINISH	PERIPHERAL SEAL	A	CONTACTS LOADED AT POSITION	PART NUMBER																											
THIS DRAWING IS A CONTROLLED DOCUMENT.																															
DIMENSIONS: INCHES		TOLERANCES UNLESS OTHERWISE SPECIFIED:																													
<table border="1"> <tr><td>0 PLC</td><td>± -</td></tr> <tr><td>1 PLC</td><td>± -</td></tr> <tr><td>2 PLC</td><td>± -</td></tr> <tr><td>3 PLC</td><td>± .005</td></tr> <tr><td>4 PLC</td><td>± -</td></tr> <tr><td>ANGLES</td><td>± -</td></tr> </table>		0 PLC	± -	1 PLC	± -	2 PLC	± -	3 PLC	± .005	4 PLC	± -	ANGLES	± -	<table border="1"> <tr><td>DWN</td><td>R.LEE BG</td><td>6-22-91</td></tr> <tr><td>CHK</td><td>W.G.LENKER</td><td>4-14-92</td></tr> <tr><td>APVD</td><td>-</td><td>-</td></tr> <tr><td>PRODUCT SPEC</td><td colspan="2">108-10024</td></tr> <tr><td>APPLICATION SPEC</td><td colspan="2">-</td></tr> </table>			DWN	R.LEE BG	6-22-91	CHK	W.G.LENKER	4-14-92	APVD	-	-	PRODUCT SPEC	108-10024		APPLICATION SPEC	-	
0 PLC	± -																														
1 PLC	± -																														
2 PLC	± -																														
3 PLC	± .005																														
4 PLC	± -																														
ANGLES	± -																														
DWN	R.LEE BG	6-22-91																													
CHK	W.G.LENKER	4-14-92																													
APVD	-	-																													
PRODUCT SPEC	108-10024																														
APPLICATION SPEC	-																														
MATERIAL		FINISH																													
-		-																													
CUSTOMER DRAWING		SCALE 1:1 SHEET 1 of 1 REV M																													



RECEPTACLE ASSEMBLY, POSTED, REV SEX, SERIES 1, 11-4, CPC

SIZE A2 CAGE CODE 00779 DRAWING NO C=208283 RESTRICTED TO -

X-ON Electronics

Largest Supplier of Electrical and Electronic Components

Click to view similar products for [Standard Circular Connector](#) category:

Click to view products by [TE Connectivity](#) manufacturer:

Other Similar products are found below :

[5M2530B10P](#) [600259N006](#) [600273N007](#) [6134-336-13149](#) [6134-337-11149](#) [6134-337-2390](#) [6134-341-17149](#) [6280-4SG-516](#) [6280-7SG-3DC](#)
[6290](#) [6291A](#) [66200A-10](#) [680-SMG](#) [681-PMG](#) [CXS3102A14S2P](#) [CXS3102A181S](#) [7271-6SG-300](#) [7282-3PG-300-CH3](#) [75-474618-01S](#) [75-](#)
[474618-04P](#) [75-474618-04S](#) [799539-000](#) [MI8-SE](#) [805-005-07NF11-19PC](#) [805-005-07NF15-7PA](#) [8280-4PG-516](#) [8280-7PG-519](#) [8282-5PG-](#)
[519](#) [836783-1](#) [MP-4102-25P-C](#) [862256-1](#) [864019-2](#) [866857-1](#) [867865-1](#) [PT01SP-14-18P](#) [PT08P-14-5S](#) [120-1833-000](#)
[QCM019PC2DC012B](#) [1-2069279-1](#) [121583-0217](#) [121667-0020](#) [129591AU](#) [1000B BULK](#) [RD10A16-19-P6CS051/1](#) [RD10A20-31-](#)
[P8CS051/1](#) [RD16A14-12-S6CS051/2](#) [1301240290](#) [1301240347](#) [1301860202](#) [1301240268](#) [1301240275](#)