

4

3

2

1

THIS DRAWING IS UNPUBLISHED.

RELEASED FOR PUBLICATION

ALL RIGHTS RESERVED.

© COPYRIGHT - By -

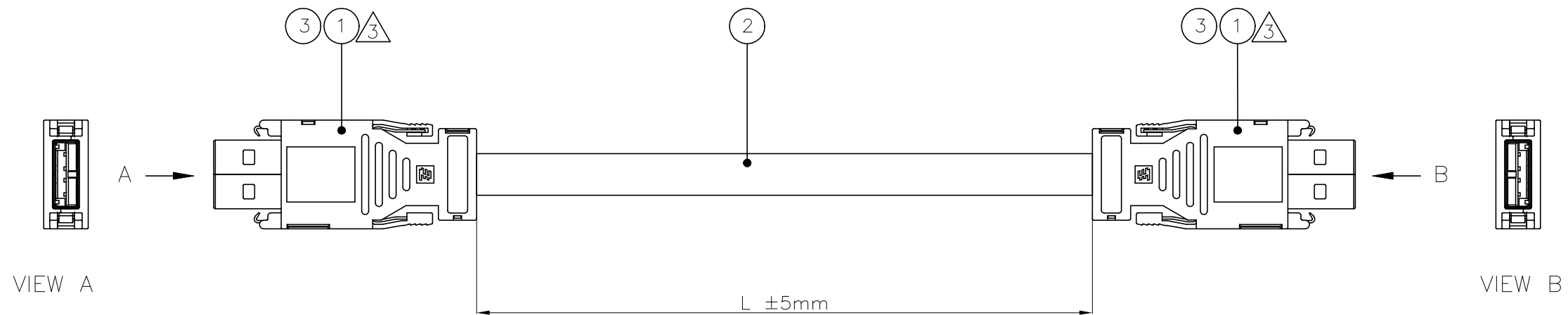
REVISIONS

P	LTR	DESCRIPTION	DATE	DWN	APVD
	A2	ECR-19-012676	14AUG2019	GSK	SBH

NOTES:

- 1 PACKAGING: ACC. TO TE SPEC. 107-18032
- 2 ELECTRICAL TEST ACCORDING TE SPECIFICATION 108-18857.
SHORT-CIRCUIT AND CONTINUITY TEST AT 500V DC, 0.1s
- 3 WIRING SCHEMA ACC. TO TIA/EIA-568-B AS SHOWN IN WIRING SCHEDULE
- 4 PROP 65 WARNING LABEL, SEE SHEET 2

LENGTH L [m]	TE PN
0.3	2083112-1
1	2083112-2
2	2083112-3
3	2083112-4
5	2083112-5



WIRING SCHEDULE 3

CAVITY SIDE A	COLOR	CAVITY SIDE B
1	RD	1
2	WH	2
3	GN	3
4	BK	4

0.014	m	VERSAFIT-1/4-0-SP	3
AR	m	CABLE USB 1PAWG28+2CAWG24 BK	2
2	pc	INDUSTRIAL USB PLUG CONN KIT	1
QTY	UoM	DESCRIPTION	ITEM

THIS DRAWING IS A CONTROLLED DOCUMENT.		DWN Z.JAHR 09JUN10	TE TE Connectivity	
DIMENSIONS: mm		CHK R.HOSSAINI 09JUN10		
TOLERANCES UNLESS OTHERWISE SPECIFIED:		APVD G.LINDEMANN 09JUN10	NAME	
0 PLC ± -		PRODUCT SPEC	CABLE ASSEMBLY, IND. USB TO IND. USB TYPE A	
1 PLC ± -		APPLICATION SPEC	SIZE CAGE CODE DRAWING NO RESTRICTED TO	
2 PLC ± -		WEIGHT	A3 00779 C-2083112	
3 PLC ± -		CUSTOMER DRAWING	SCALE	SHEET
4 PLC ± -			NTS	1 of 2
ANGLES ± -				REV
FINISH				A2

THIS DRAWING IS UNPUBLISHED.

RELEASED FOR PUBLICATION

ALL RIGHTS RESERVED.

© COPYRIGHT - By -

REVISIONS

P	LTR	DESCRIPTION	DATE	DWN	APVD
-	-	SEE SHEET 1	-	-	-


NOTES:

4 CONTINUATION FROM SHEET 1:

- THE WARNING LABEL IS TO BE ON THE PRODUCT OR LOWEST LEVEL PACKAGING THAT IS FEASIBLE. (IN THE EASIEST WAY FOR TE, IT WOULD BE ON THE BOX OR ON THE POLYBAG IF EXIST)
- THE LABEL REQUIRES COLOR, UNLESS THE EXISTING PRODUCT LABELING SCHEME IS BLACK ON WHITE, THEN THE PROP 65 WARNING MAY ALSO BE BLACK ON WHITE (NO YELLOW).
- THE MINIMUM FONT SIZE IS 6mm
- CHEMICAL NAME: ANTIMONY TRIOXIDE



WARNING: This product can expose you to chemicals including [name of one or more chemicals], which is [are] known to the State of California to cause cancer. For more information, visit www.P65Warnings.ca.gov.

THIS DRAWING IS A CONTROLLED DOCUMENT.		DWN Z.JAHR 09JUN10	 TE Connectivity														
DIMENSIONS: mm		CHK R.HOSSAINI 09JUN10															
TOLERANCES UNLESS OTHERWISE SPECIFIED:		APVD G.LINDEMANN 09JUN10	NAME														
<table border="0"> <tr><td>0 PLC</td><td>± -</td></tr> <tr><td>1 PLC</td><td>± -</td></tr> <tr><td>2 PLC</td><td>± -</td></tr> <tr><td>3 PLC</td><td>± -</td></tr> <tr><td>4 PLC</td><td>± -</td></tr> <tr><td>ANGLES</td><td>± -</td></tr> </table>		0 PLC	± -	1 PLC	± -	2 PLC	± -	3 PLC	± -	4 PLC	± -	ANGLES	± -	PRODUCT SPEC	CABLE ASSEMBLY, IND. USB TO IND. USB TYPE A		
0 PLC	± -																
1 PLC	± -																
2 PLC	± -																
3 PLC	± -																
4 PLC	± -																
ANGLES	± -																
MATERIAL		APPLICATION SPEC	SIZE	CAGE CODE	DRAWING NO	RESTRICTED TO											
FINISH		WEIGHT	A3	00779	C-2083112	-											
CUSTOMER DRAWING			SCALE	SHEET	REV												
			NTS	2 of 2	A2												

X-ON Electronics

Largest Supplier of Electrical and Electronic Components

Click to view similar products for [USB Cables / IEEE 1394 Cables](#) category:

Click to view products by [TE Connectivity](#) manufacturer:

Other Similar products are found below :

[68768-0173](#) [FNY-W6003-01](#) [88764-0800](#) [148700-1](#) [17-200621](#) [17-250051P](#) [954](#) [17-200261](#) [AC102012-1](#) [AC102012-2](#) [FTP-629Y601](#) [45-1345-15](#) [45-1358-15](#) [45-1363-15](#) [IP-USB1\(C10\)S-RW](#) [CABLE/RTP/USB/DT](#) [45-1351-15](#) [45-1357-15](#) [45-1433-1](#) [687680278](#)
[USBFTVX2SA2N03A](#) [USBFTV2SA2N03A](#) [USBFTV2SA2N05A](#) [MDM9PH004B](#) [MDM9PH004P](#) [FTP-629Y401](#) [FTP-628Y302](#) [FTP-628Y402](#) [CSMNB9MF-5](#) [FNY-W6022](#) [UA-30AMF-SD7B03](#) [UA-30AMFM-SL7B03](#) [USBAPSCC7202A](#) [17-200641](#) [UES-1001A160](#) [UES-1003A160](#) [USBFTVX7SA2N20A](#) [FTP-629Y602](#) [USBCAMCM100](#) [USB A/F*2 to 2.54 2*5P-SH L=400mm](#) [68784-0075](#) [MINI-SCREW-USB-DATACABLE](#) [19800-010500-200-RS](#) [103-1092-BL-F0050](#) [103-1020-BL-00100](#) [103-1092-BL-F0200](#) [103-1092-BL-F0100](#) [105-1092-BL-00300](#) [105-1092-BL-00200](#) [105-1031-BL-00200](#)