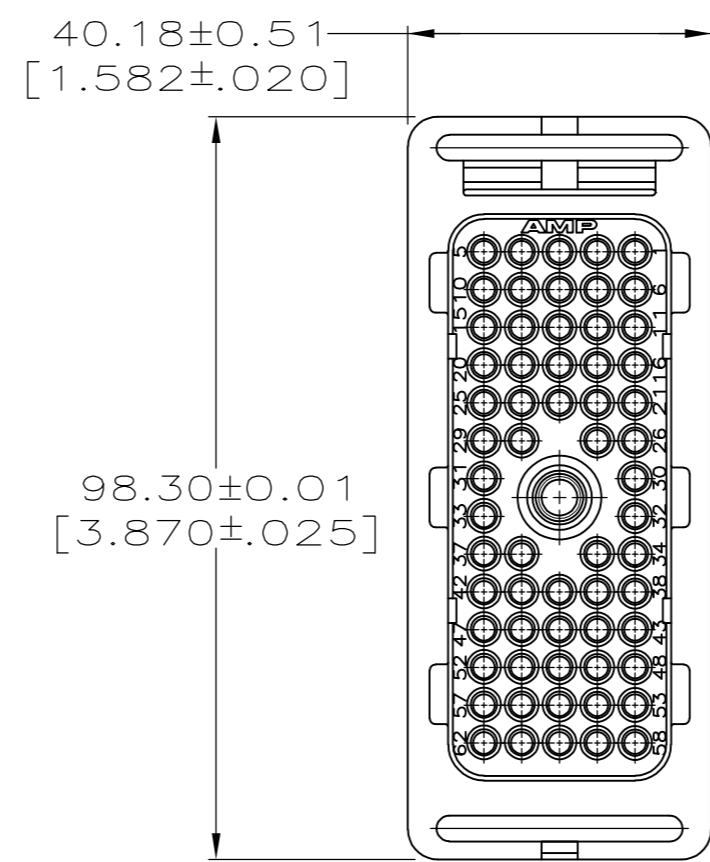
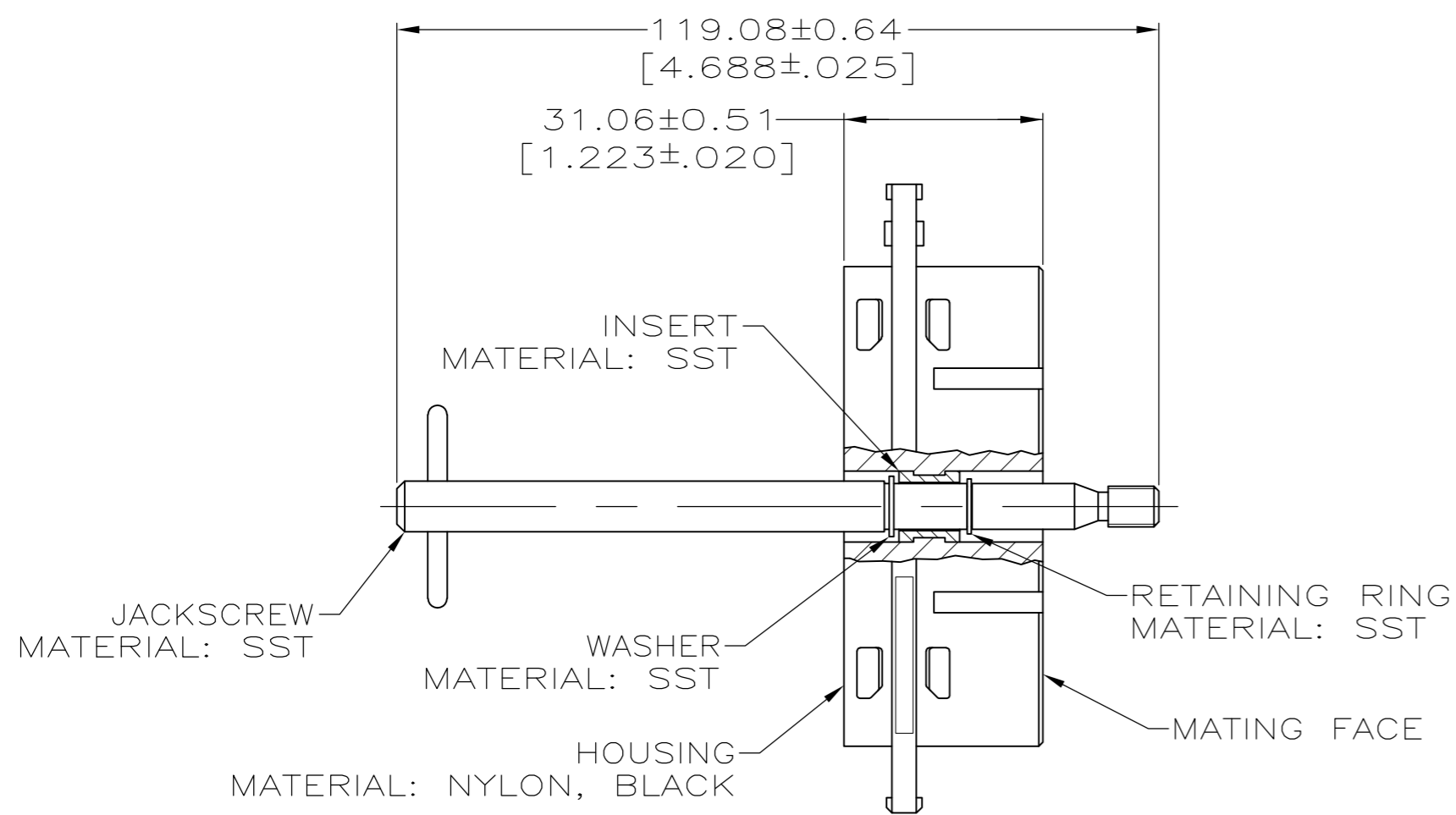
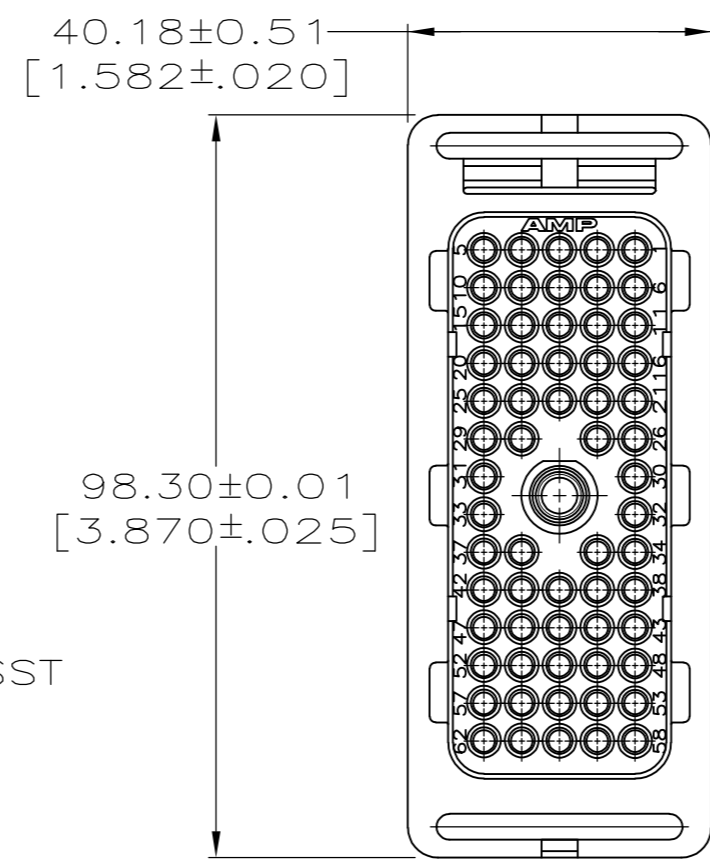
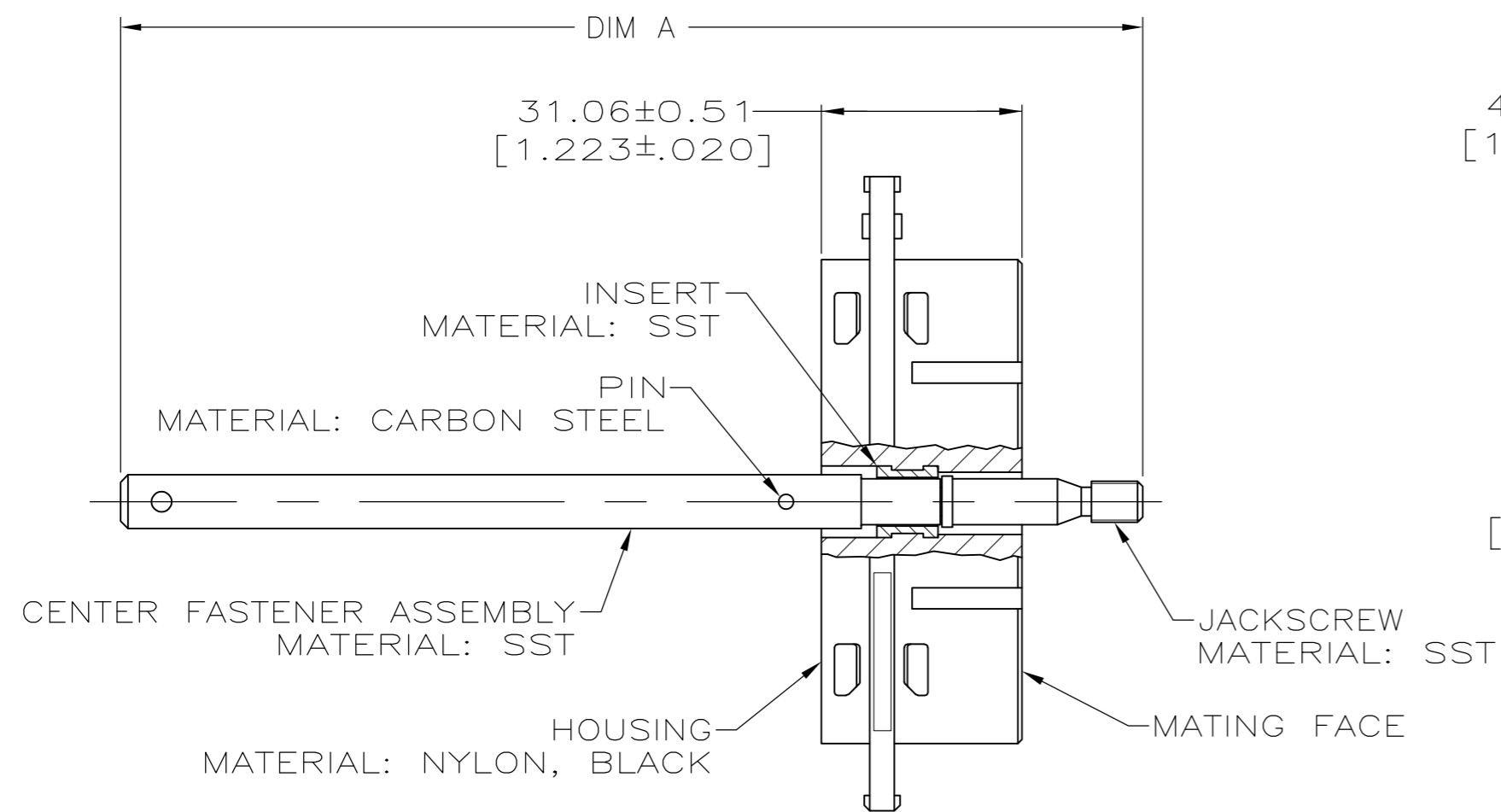


THIS DRAWING IS UNPUBLISHED. RELEASED FOR PUBLICATION
 © COPYRIGHT BY TYCO ELECTRONICS CORPORATION. ALL INTERNATIONAL RIGHTS RESERVED.

LOC	DIST	REVISIONS			
P	LTR	DESCRIPTION	DATE	DWN	APVD
FT	0	M	REVISED PER ECO-10-020308	06JAN11	HMR MG



208334-1



208334-2, -3, -4,
-5 & -6

	DIM A	PART NO
SUPERCEDED BY -6	158.12±0.64 [6.225±.025]	208334-6
OBSOLETE	158.12±0.64 [6.225±.025]	208334-5
SUPERCEDED BY -5	158.12±0.64 [6.225±.025]	208334-4
OBSOLETE	149.99±0.64 [5.905±.025]	208334-3
	158.12±0.64 [6.225±.025]	208334-2
	-	208334-1

THIS DRAWING IS A CONTROLLED DOCUMENT.		DWN L. SIPE 09/03/92	Tyco Electronics Corporation Harrisburg, PA 17105-3608	
DIMENSIONS: INCHES		CHK W.G. LENKER 09/08/92	NAME A. TRAVIS	
TOLERANCES UNLESS OTHERWISE SPECIFIED:		APVD A. TRAVIS 09/08/92	PRODUCT SPEC	
0 PLC ± -		APPLICATION SPEC		
1 PLC ± -		WEIGHT -		
2 PLC ± -		SIZE A2		
3 PLC ± -		CAGE CODE 00779		
4 PLC ± -		DRAWING NO C-208334		
ANGLES ± -		RESTRICTED TO -		
FINISH PIN: ZINC PLATED		SCALE 4:1		
MATERIAL SEE CALLOUTS		SHEET 1 OF 1		
CUSTOMER DRAWING		REV M		

X-ON Electronics

Largest Supplier of Electrical and Electronic Components

Click to view similar products for [Headers & Wire Housings](#) category:

Click to view products by [TE Connectivity](#) manufacturer:

Other Similar products are found below :

[892-18-020-10-001101](#) [58102-G61-06LF](#) [582553-1](#) [0009485154](#) [009176003701906](#) [0050291907](#) [LY20-4P-DT1-P1E-BR](#) [02.125.8002.8](#)
[609-3404](#) [61062-3](#) [61082-181009](#) [622-3653LF](#) [63453-116](#) [636-1030](#) [636-1427](#) [636-3427](#) [636-4007](#) [641938-9](#) [641991-4](#) [644827-2](#) [65817-](#)
[010LF](#) [65817-015LF](#) [65863-015LF](#) [66207-023LF](#) [67095-007LF](#) [67601157](#) [68645-018](#) [68648-049](#) [70.362.1628.0](#) [70-4210](#) [70-4226B](#) [70-](#)
[4853B](#) [707-5020](#) [707-5028](#) [71.350.2428.0](#) [71918-208LF](#) [71961-016LF](#) [733-134](#) [733-162](#) [754199-000](#) [760-3052](#) [787-8014-00](#) [79531-3000](#)
[FCN-360C032-B](#) [FCN-367T-T012/H](#) [FCN-723D010/2](#) [80.063.4001.1](#) [800-90-001-10-001000](#) [800-90-010-10-002000](#) [801-43-002-10-013000](#)