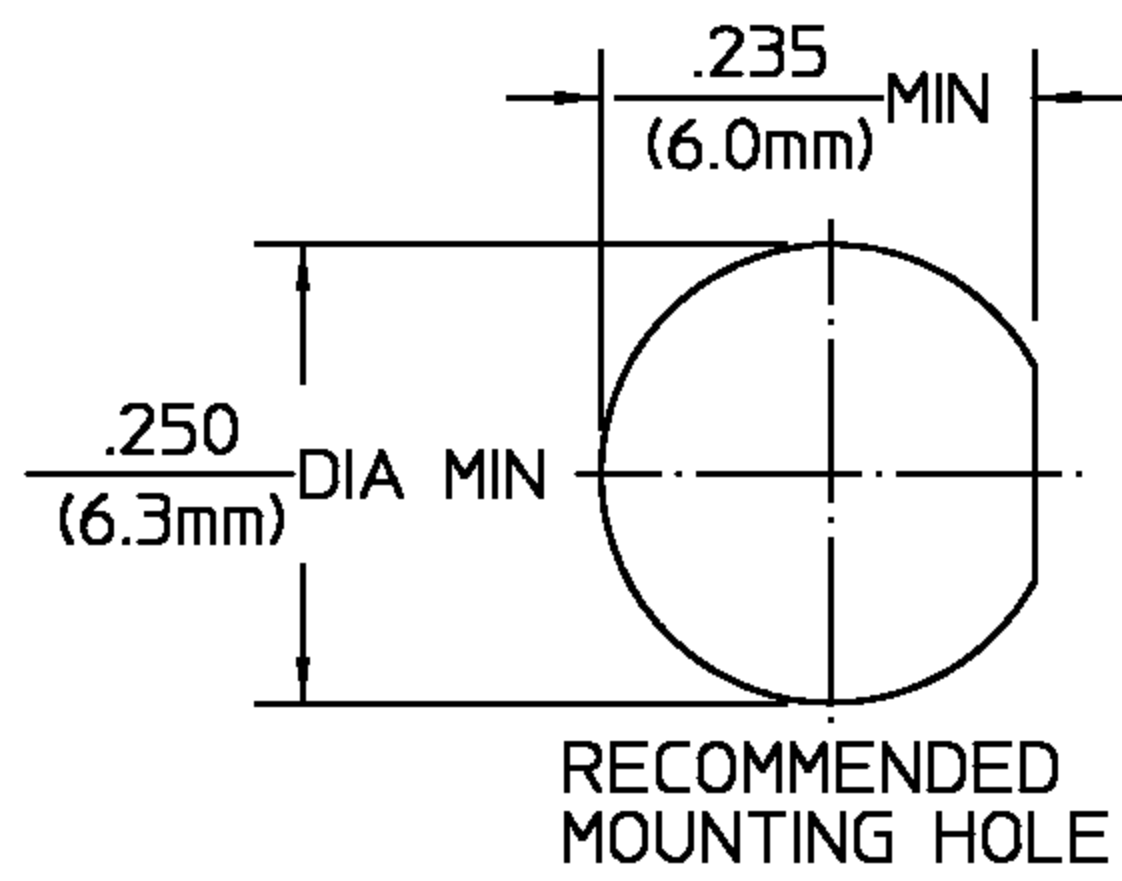
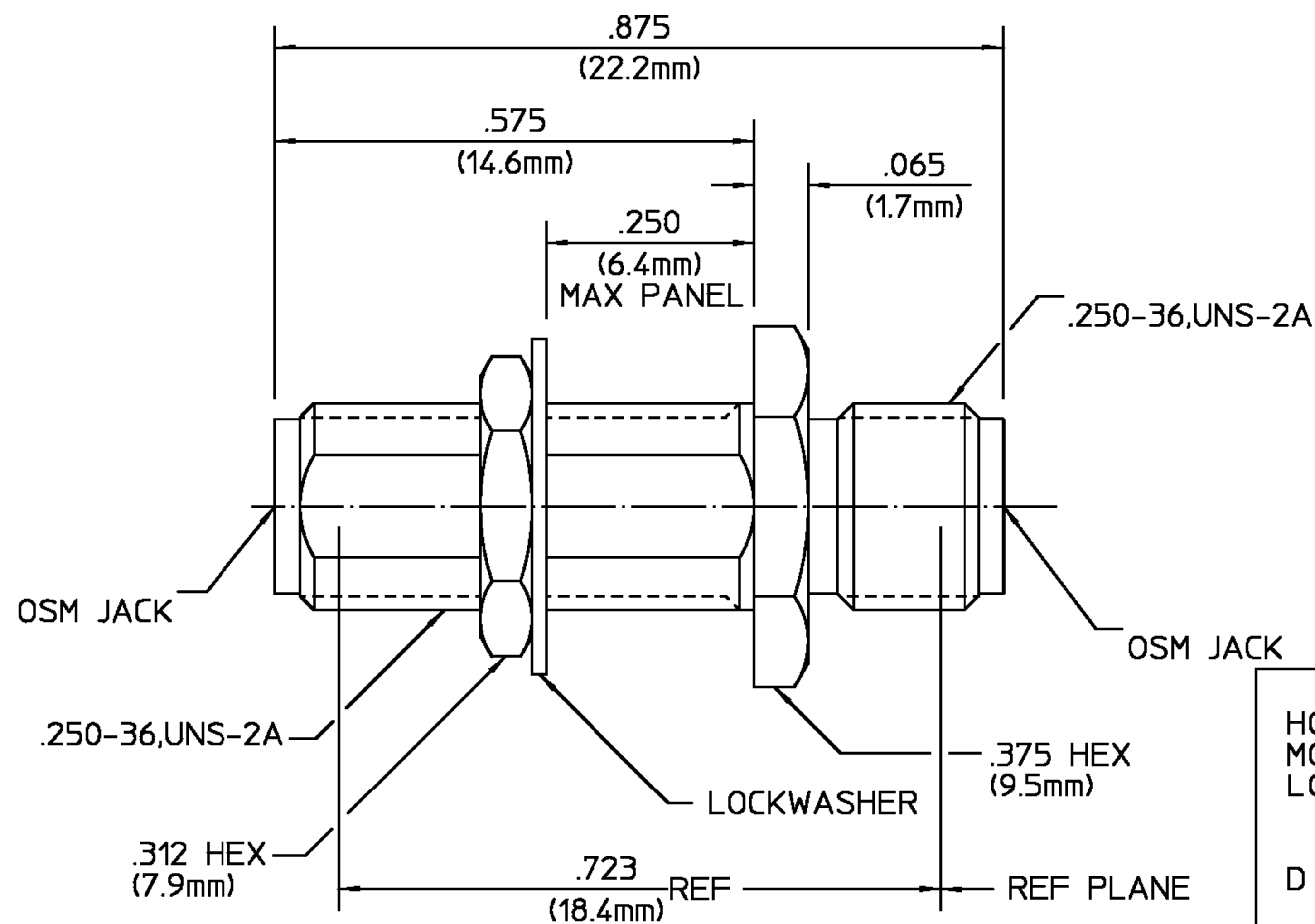


| REVISIONS |                           |         |          |
|-----------|---------------------------|---------|----------|
| REV       | DESCRIPTION               | DATE    | APPROVED |
| A1        | REVISED PER ECO-11-005294 | 14APR11 | HMR      |



NOTES:  
1. CAPTURED CENTER CONTACT

|                                 |   |  |
|---------------------------------|---|--|
| HOUSING MOUNTING NUT LOCKWASHER | STAINLESS STEEL PER ASTM-A484 AND ASTM-A582, TYPE 303 | GOLD PLATE PER MIL-G-45204 OVER NICKLE PLATE PER QQ-N-290    |
| DIELECTRIC                      | TFE FLUOROCARBON PER MIL-P-19468 AND FED SPEC L-P-403 | N/A  |
| CENTER CONTACT                  | BERYLLIUM COPPER PER QQ-C-530, ALLOY 173              | GOLD PLATE PER MIL-G-45204 OVER COPPER PLATE PER MIL-C-14550 |

| COMPONENT | MATERIAL | FINISH |
|-----------|----------|--------|
|-----------|----------|--------|

|   |                    |              |
|---|--------------------|--------------|
| UNLESS OTHERWISE SPECIFIED DIMENSIONS ARE IN INCHES | DRAWN BY E.F.HOYLE | DATE 1/25/89 |
| TOLERANCE ON  | CHECKED BY L.ROSS  | 2-10-89      |
| FRAC. DEC. ANGLES                                   | APPD BY            |              |
| ± 1/64 ±.005 ± °                                    |                    |              |



|                            |   |
|----------------------------|---|
| USE ASSY PROCEDURE 2722789 | TITLE BULKHEAD FEEDTHROUGH JACK TO JACK ADAPTER |
| NO. AP. N/A                | SIZE B  |
|                            | CODE IDENT NO. 26805                            |
|                            | C-1054868-1                                     |
|                            | REV A1  |

|           |              |
|-----------|--------------|
| SCALE 5:1 | SHEET 1 OF 1 |
|-----------|--------------|

CUSTOMER DRAWING

## X-ON Electronics

Largest Supplier of Electrical and Electronic Components

*Click to view similar products for [RF Adapters - In Series](#) category:*

*Click to view products by [TE Connectivity](#) manufacturer:*

Other Similar products are found below :

[5916-1103-603](#) [5918-1103-000](#) [5919-1503-000](#) [651A505](#) [82-5552](#) [9030-9523-502](#) [PN2C](#) [A0407000](#) [R114703000W](#) [R125771001](#)  
[R141710000W](#) [R141723161](#) [R141730000](#) [R143730700](#) [R143770000](#) [R161703000W](#) [R161753000W](#) [R161791530W](#) [R201705000](#)  
[R222705200](#) [R222M40010W](#) [R223703180](#) [R316754000](#) [R405006000](#) [R443162000](#) [AD78TL](#) [HRM-513S](#) [1996352-2](#) [2157155-1](#) [252169-75](#)  
[AD158](#) [2101130-1](#) [252186](#) [R114704000W](#) [R114720000W](#) [R125705001](#) [R125705701](#) [R125771000](#) [R125771001W](#) [R127704001](#)  
[R127.870.001](#) [R127872001](#) [R141717000](#) [R142710000](#) [R142723000](#) [R143703000](#) [R143704000](#) [R143705700](#) [R161715000W](#) [R161771000W](#)