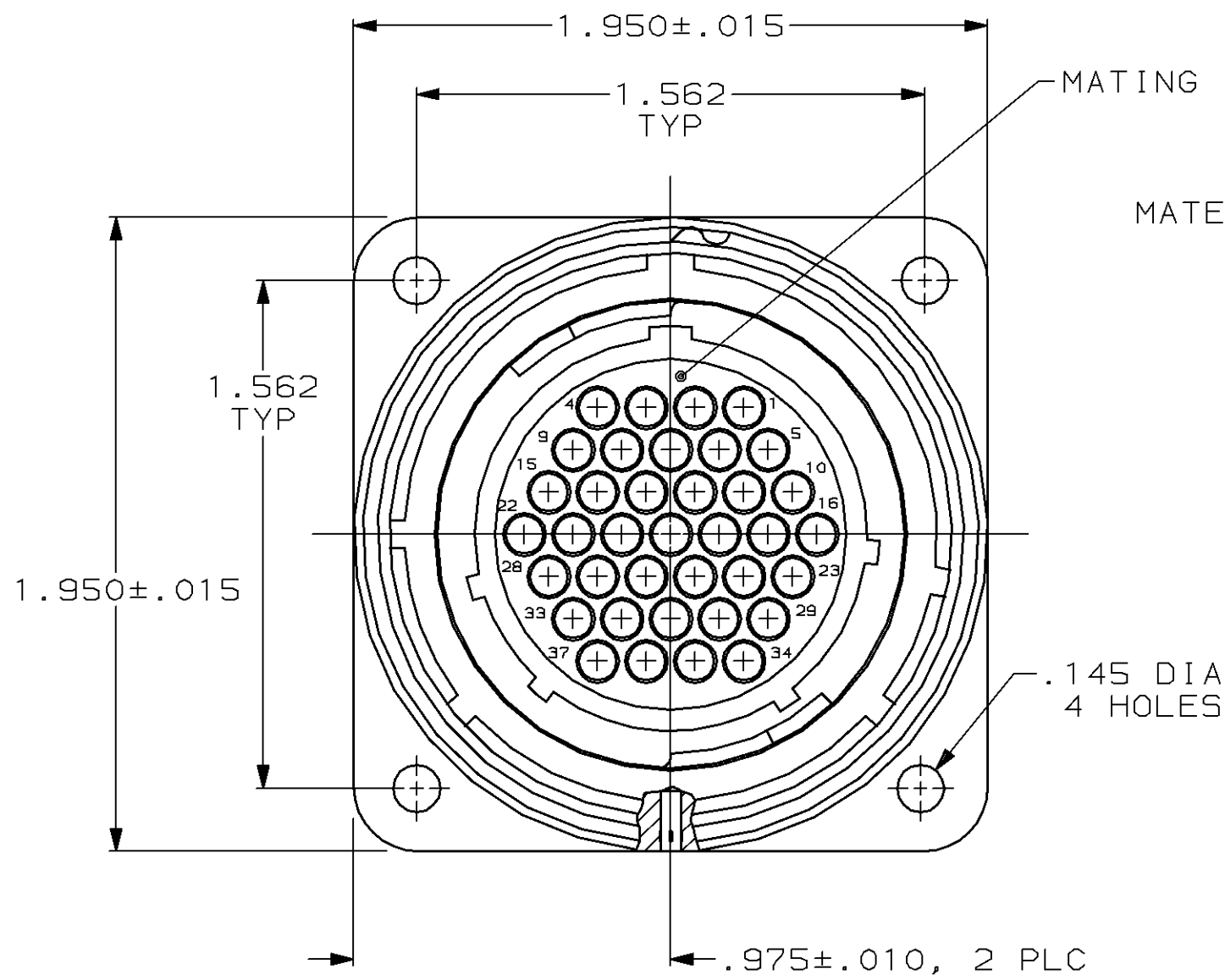


THIS DRAWING IS UNPUBLISHED. RELEASED FOR PUBLICATION ,19 .  
 © COPYRIGHT 19 BY AMP INCORPORATED. ALL INTERNATIONAL RIGHTS RESERVED.

MOD	LOC	DIST	P	F	ZONE	LTR	DESCRIPTION	DATE	APPD
4	BD	35				H	REDRAWN	6-26-91	-
						J	OBS -2 PER EC 0020-0394-93	11/17/94	RK



METAL SHELL RECEPTACLE  
 MATERIAL: ZINC ALLOY  
 FINISH: NICKEL PLATED  
 PER QQ-N-290

GROOVED PIN, 2 PLC  
 MATERIAL: STEEL ALLOY  
 FINISH: NICKEL PLATED  
 PER QQ-N-290

PERIPHERAL SEAL  
 SEE TABLE

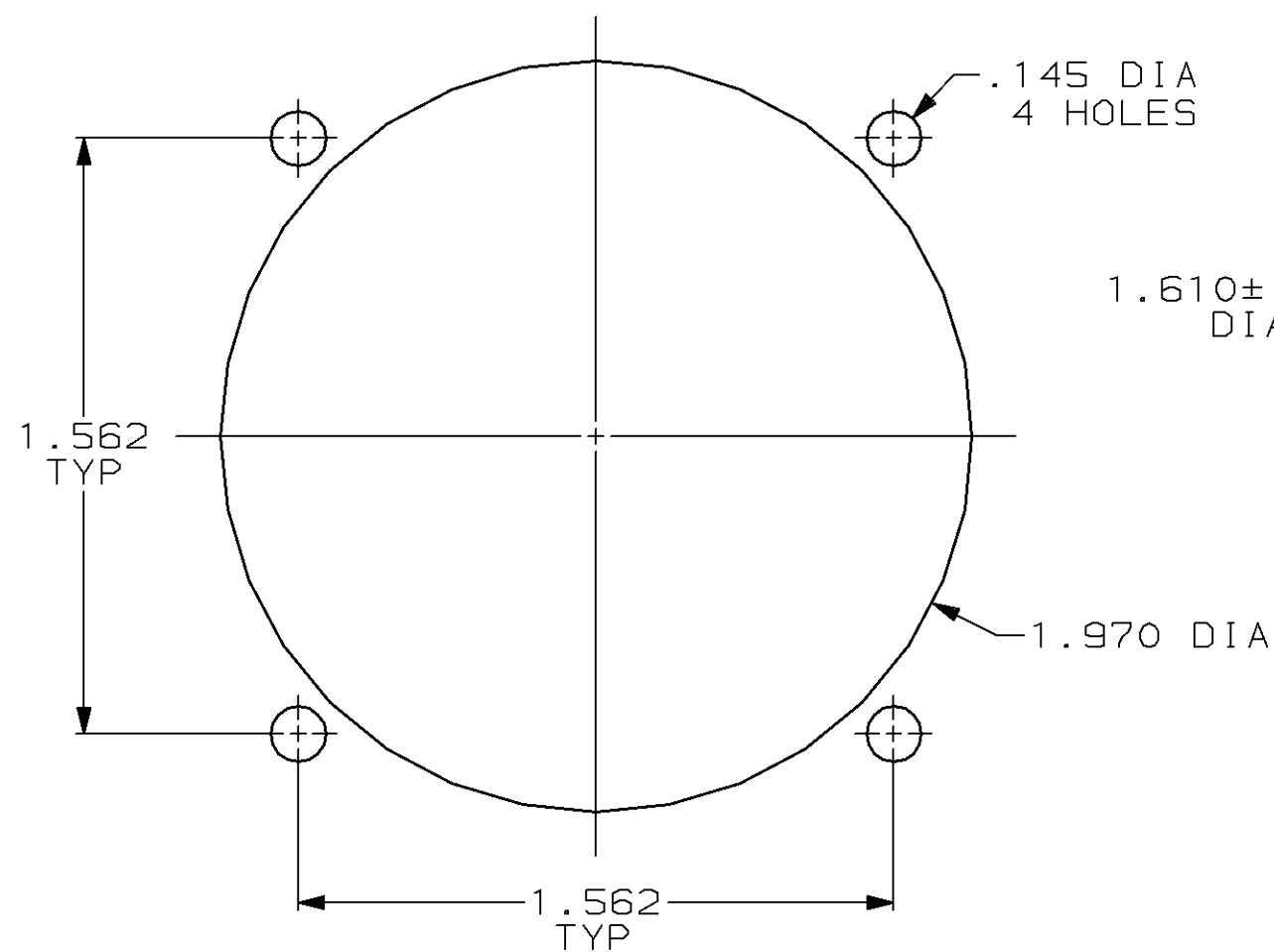
1.900 MAX

.125 MAX  
 PANEL THK

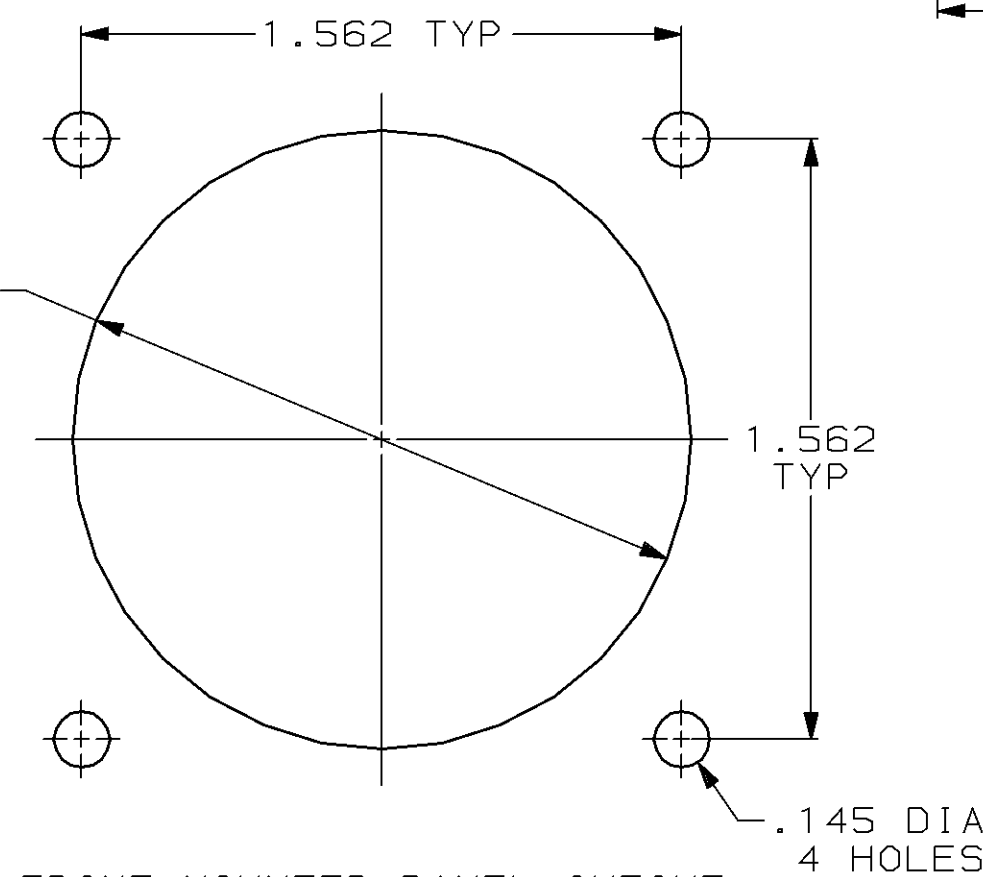
.875±.010

.125±.010

1.260 MAX



1.610±.010  
 DIA



FRONT MOUNTED PANEL CUTOUT

REAR MOUNTED PANEL CUTOUT

OBSOLETE	YES	208473-2
	NO	208473-1
PERIPHERAL SEAL		PART NUMBER

- 208473-1 MATES WITH AMP PLUG 208472-1 OR -3. 208473-2 MATES WITH 208472-1 ONLY.
- AMP PART NUMBER AND DATE CODE TO BE LOCATED ON EDGE OF FLANGE.

DO NOT SCALE PRINT.  
 UNLESS SPECIFIED  
 DIMENSIONS IN INCHES  
 TOLERANCES ON :  
 2 PLC DEC ± -  
 3 PLC DEC ± .005  
 ANGLES ± -  
 MATERIAL  
 SEE CALLOUT  
 FINISH  
 SEE CALLOUT

DR 6-26-91  
 R.LEE BG  
 CHK 4-15-92  
 W.G.LENKER  
 APPD 4-15-92  
 K.BEAVER  
 APPD 4-15-92  
 C.ROHDE  
 PRODUCT SPEC  
 108-10040  
 APPLICATION SPEC  
 -  
 WEIGHT -

**AMP** AMP Incorporated  
 Harrisburg, PA 17105-3608

NAME  
 RECEPTACLE ASSEMBLY, REV SEX,  
 SERIES 1, 28-37, CMC

SIZE	CAGE CODE	DRAWING NO
Ⓒ	00779	208473
SCALE	2:1	SHEET 1 OF 1

## X-ON Electronics

Largest Supplier of Electrical and Electronic Components

*Click to view similar products for [Standard Circular Connector](#) category:*

*Click to view products by [TE Connectivity](#) manufacturer:*

Other Similar products are found below :

[5M2530B10P](#) [600259N006](#) [600273N007](#) [6134-336-13149](#) [6134-337-11149](#) [6134-337-2390](#) [6134-341-17149](#) [6280-4SG-516](#) [6280-7SG-3DC](#)  
[6290](#) [6291A](#) [66200A-10](#) [680-SMG](#) [681-PMG](#) [CXS3102A14S2P](#) [CXS3102A181S](#) [7251-5SG-300](#) [7271-6SG-300](#) [7282-3PG-300-CH3](#) [75-](#)  
[474618-01S](#) [75-474618-04P](#) [75-474618-04S](#) [799539-000](#) [MI8-SE](#) [805-005-07NF11-19PC](#) [805-005-07NF15-7PA](#) [8280-4PG-516](#) [8280-7PG-](#)  
[519](#) [8282-5PG-519](#) [836783-1](#) [MP-4102-25P-C](#) [862256-1](#) [864019-2](#) [866857-1](#) [867865-1](#) [PT01SP-14-18P](#) [PT08P-14-5S](#) [PTSF06SE-14-12S](#)  
[120-1833-000](#) [QCM019PC2DC012B](#) [1-2069279-1](#) [121583-0217](#) [121667-0020](#) [129591AU](#) [1000B BULK](#) [RD10A16-19-P6CS051/1](#)  
[RD10A20-31-P8CS051/1](#) [RD16A14-12-S6CS051/2](#) [1301240290](#) [1301240347](#) [1301860202](#)