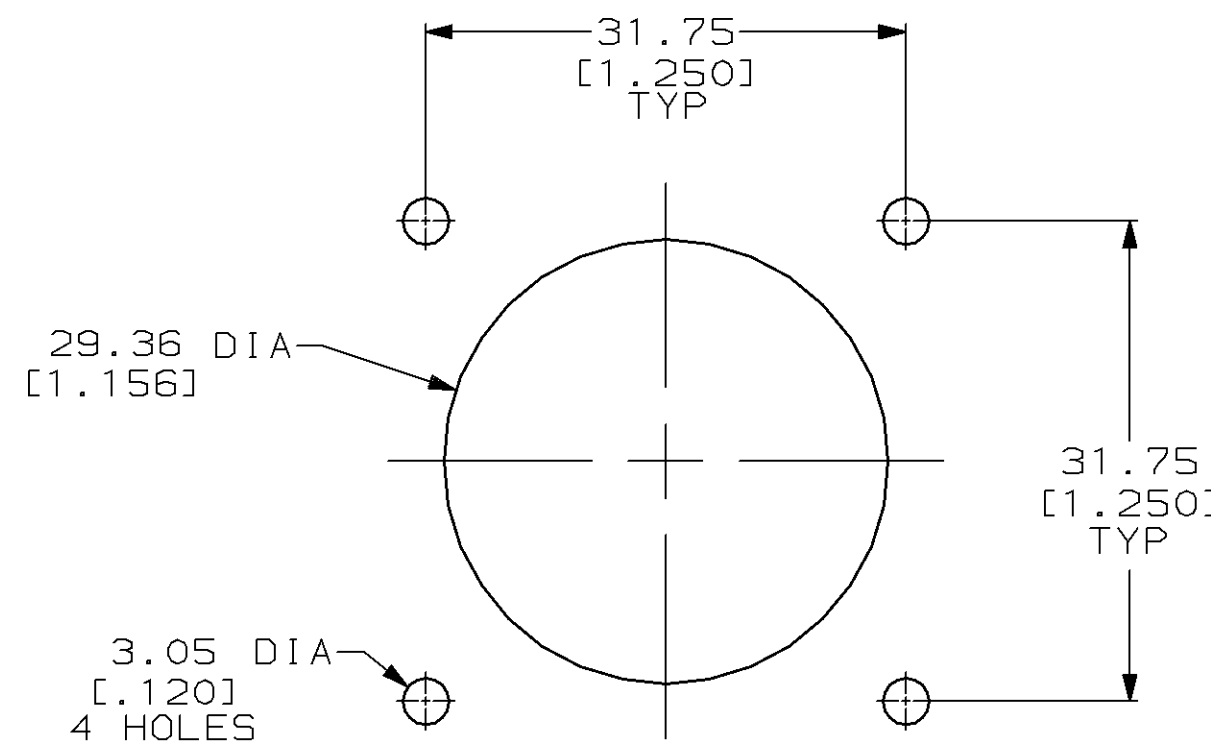
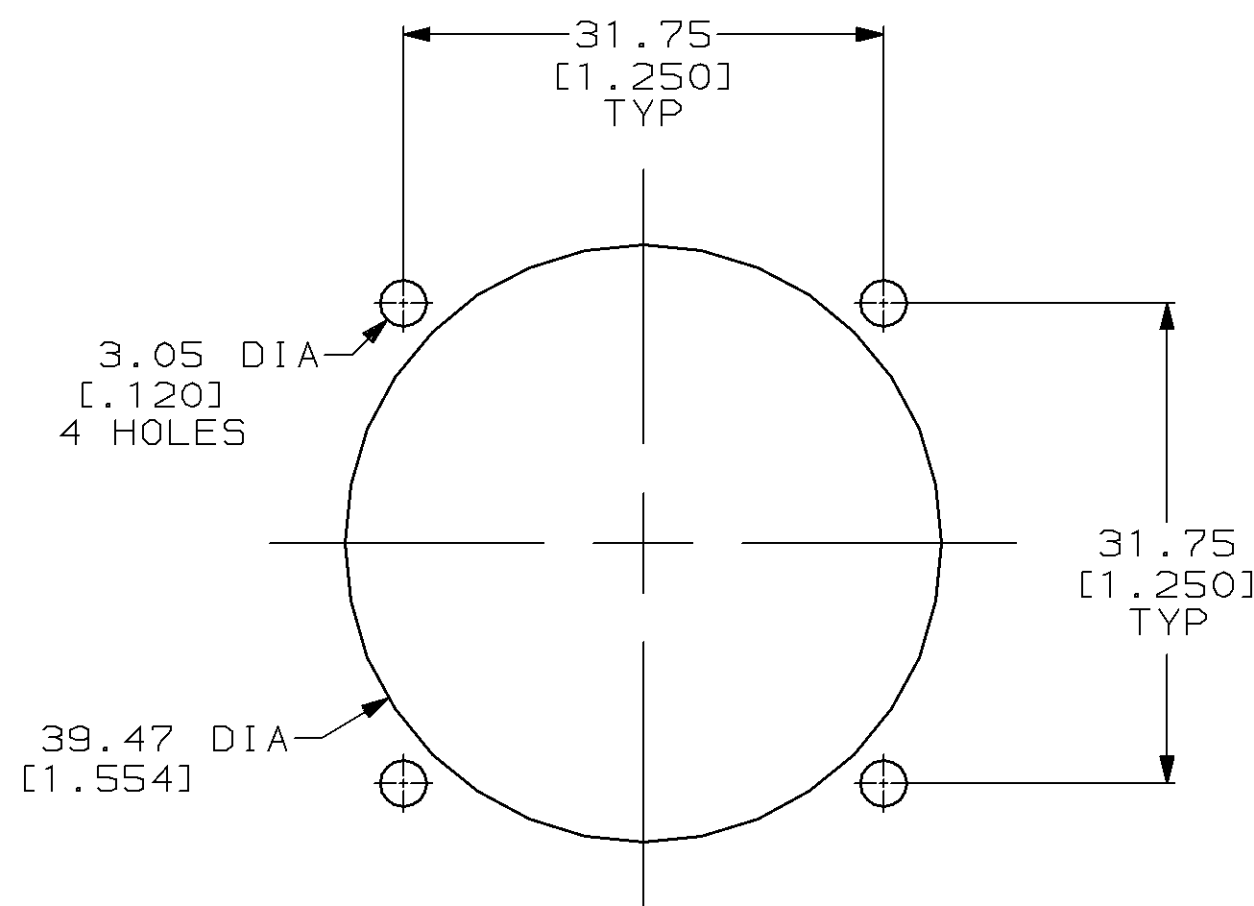
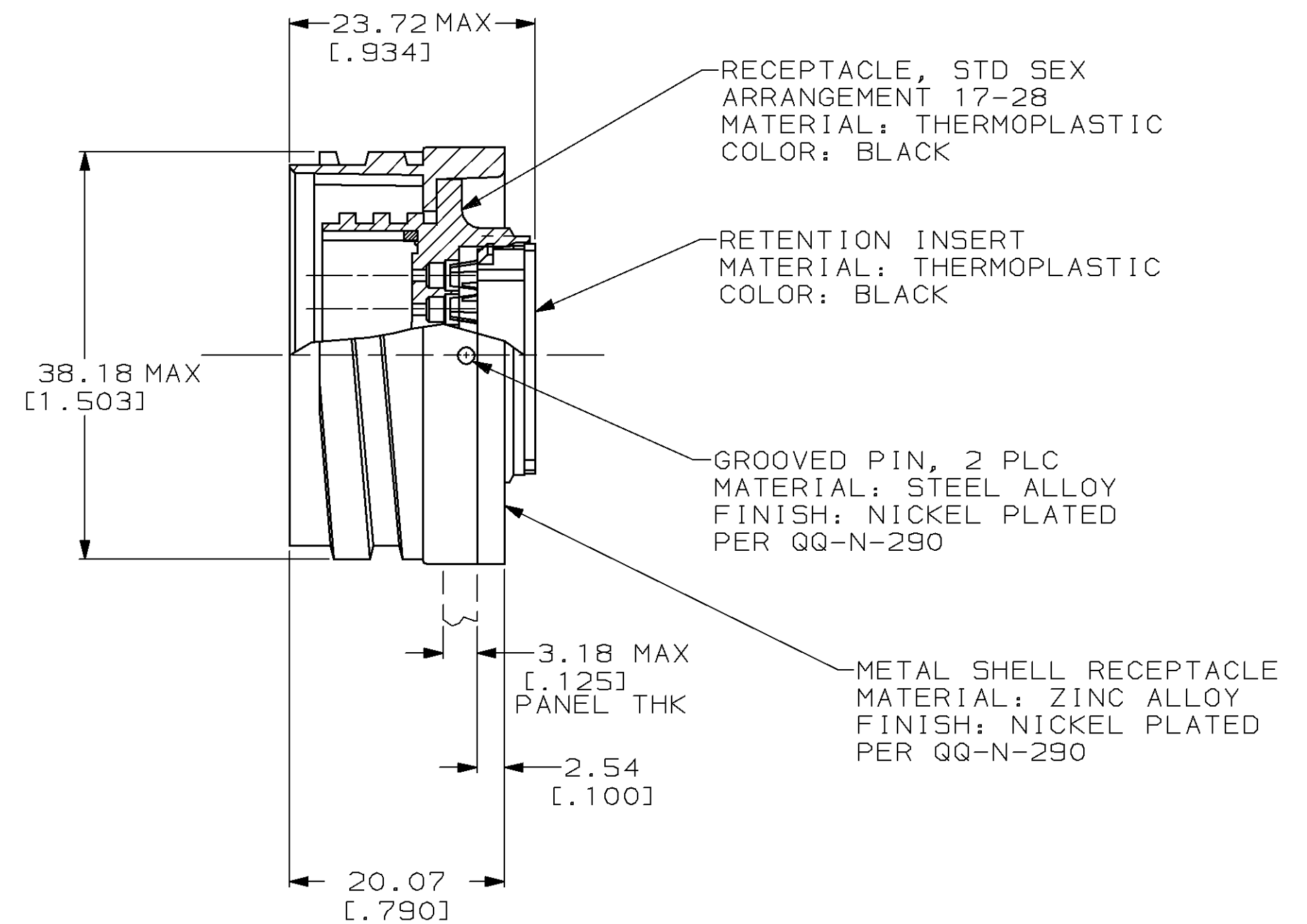
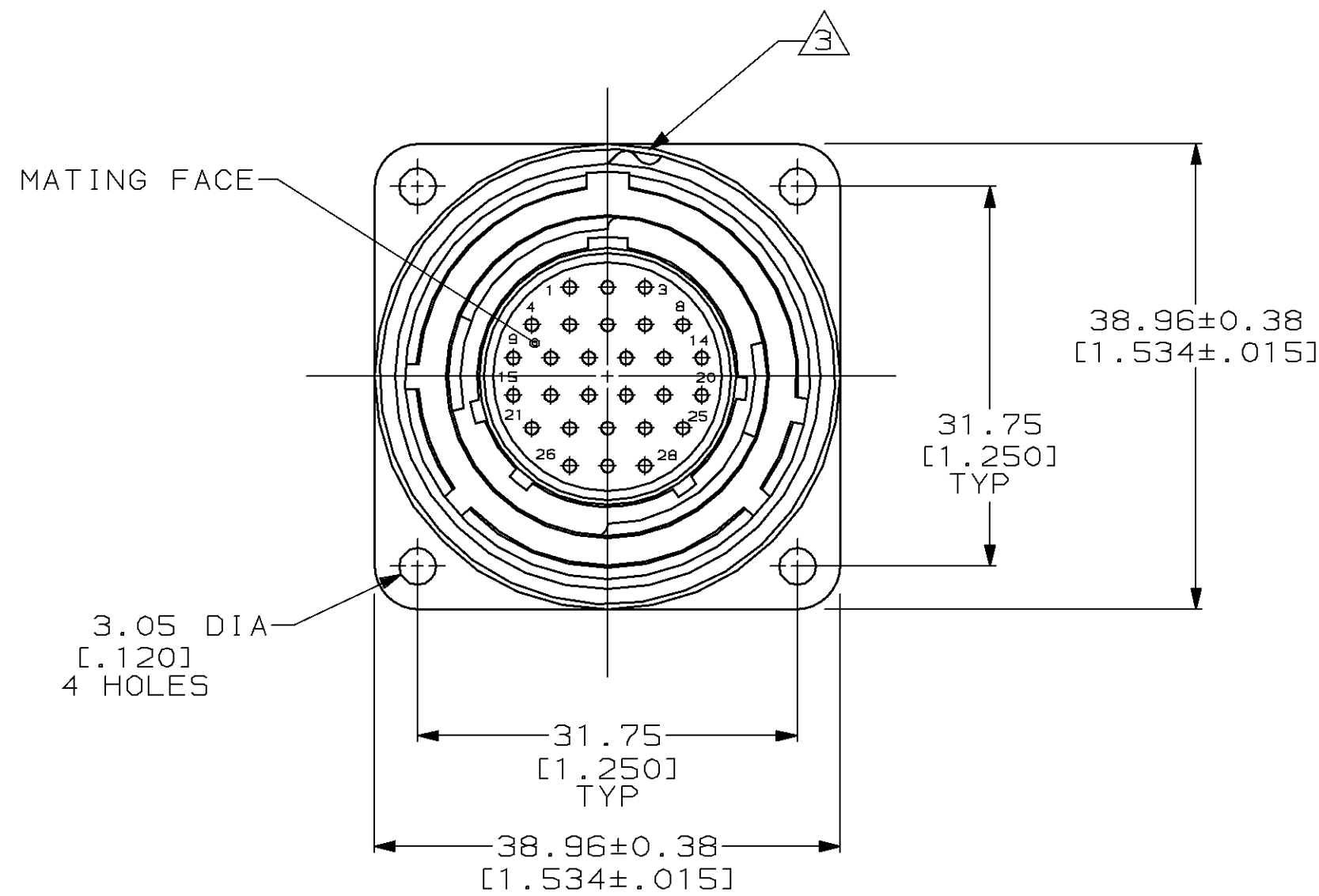


LOC	DIST	P	F	ZONE	LTR	REVISIONS		
						DESCRIPTION	DATE	APPD
BD	35				G	REDRAWN W/O CHANGE PER EC 0020-774-94	09/08/94	AF
					H	OBS -2 PER EC 0020-0136-95	17 JUL 95	AF



FRONT MOUNTED PANEL CUTOUT

REAR MOUNTED PANEL CUTOUT

- THIS RECEPTACLE MATES WITH AMP PLUG 208490-1.
 - THIS RECEPTACLE ACCEPTS TWENTY EIGHT TYPE 20 DF OR TYPE 20 DM PIN CONTACTS. MAXIMUM WIRE INSULATION DIA =1.73 [.068].
- △ AMP PART NUMBER AND DATE CODE TO BE LOCATED ON EDGE OF FLANGE.

OBSOLETE	YES	208491-2
	NO	208491-1
PERIPHERAL SEAL		PART NO

DO NOT SCALE PRINT. UNLESS SPECIFIED DIMENSIONS IN mm [INCHES] TOLERANCES ON : 2 PLC DEC ±0.25 [.010] 3 PLC DEC ± - ANGLES ± -	DR 09/08/94 M.BINNER	AMP AMP Incorporated Harrisburg, PA 17105-3608	
	CHK 9-26-94 R.STONE		
MATERIAL SEE CALLOUT	APPD 9-30-94 A.FRANTUM	NAME RECEPTACLE ASSEMBLY, 22-28, STANDARD SEX, CMC	
	APPD 9-30-94 A.FRANTUM	PRODUCT SPEC -	
FINISH SEE CALLOUT	APPLICATION SPEC -	SIZE C	CAGE CODE 00779
	WEIGHT -	SCALE 2:1	DRAWING NO C=208491
		SHEET	1 OF 1

THIS DRAWING IS A CONTROLLED DOCUMENT FOR AMP INCORPORATED. IT IS SUBJECT TO CHANGE AND THE CONTROLLING ENGINEERING ORGANIZATION SHOULD BE CONTACTED FOR THE LATEST REVISION.

X-ON Electronics

Largest Supplier of Electrical and Electronic Components

Click to view similar products for [Standard Circular Connector](#) category:

Click to view products by [TE Connectivity](#) manufacturer:

Other Similar products are found below :

[5M2530B10P](#) [600259N006](#) [600273N007](#) [6134-336-13149](#) [6134-337-11149](#) [6134-337-2390](#) [6134-341-17149](#) [6280-4SG-516](#) [6280-7SG-3DC](#)
[6290](#) [6291A](#) [66200A-10](#) [680-SMG](#) [681-PMG](#) [CXS3102A14S2P](#) [CXS3102A181S](#) [7251-5SG-300](#) [7271-6SG-300](#) [7282-3PG-300-CH3](#) [75-](#)
[474618-01S](#) [75-474618-04P](#) [75-474618-04S](#) [799539-000](#) [MI8-SE](#) [805-005-07NF11-19PC](#) [805-005-07NF15-7PA](#) [8280-4PG-516](#) [8280-7PG-](#)
[519](#) [8282-5PG-519](#) [836783-1](#) [MP-4102-25P-C](#) [862256-1](#) [864019-2](#) [866857-1](#) [867865-1](#) [PT01SP-14-18P](#) [PT08P-14-5S](#) [PTSF06SE-14-12S](#)
[120-1833-000](#) [QCM019PC2DC012B](#) [1-2069279-1](#) [121583-0217](#) [121667-0020](#) [129591AU](#) [1000B BULK](#) [RD10A16-19-P6CS051/1](#)
[RD10A20-31-P8CS051/1](#) [RD16A14-12-S6CS051/2](#) [1301240290](#) [1301240347](#) [1301860202](#)