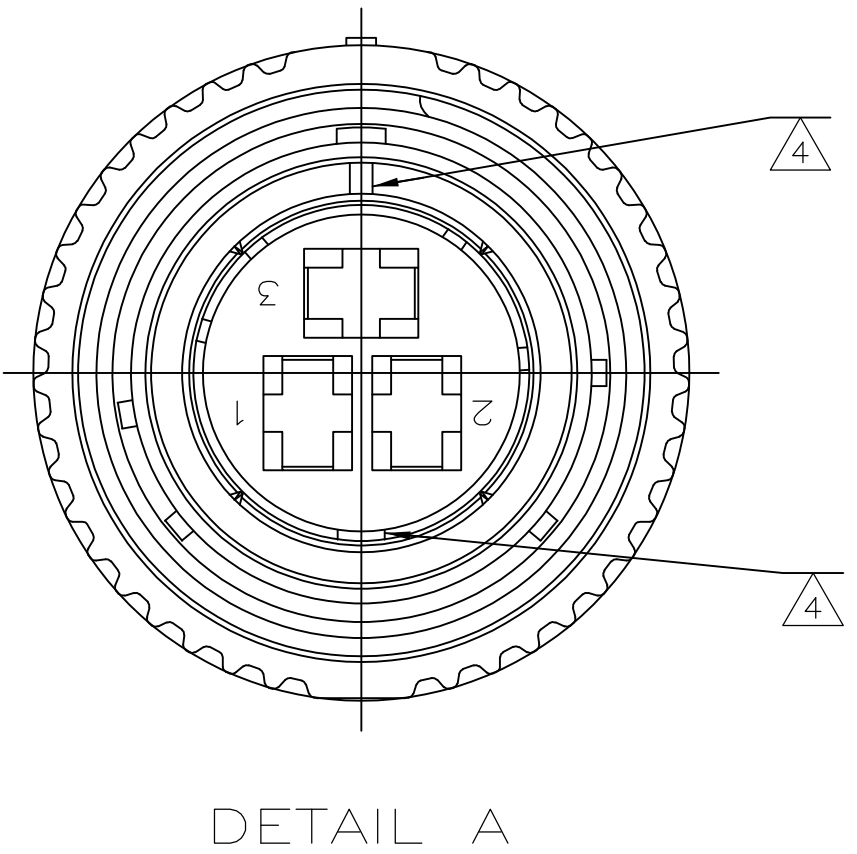
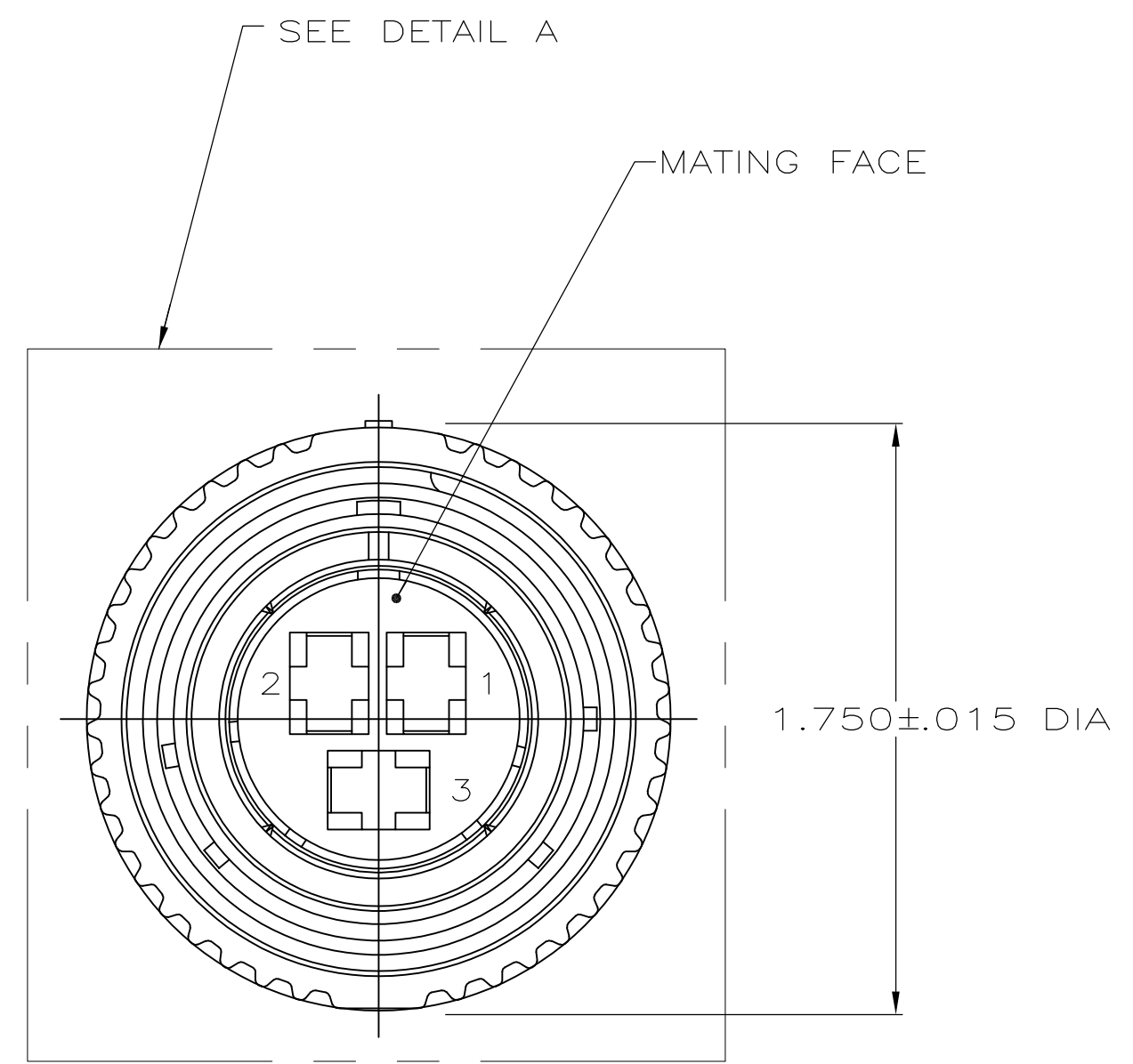
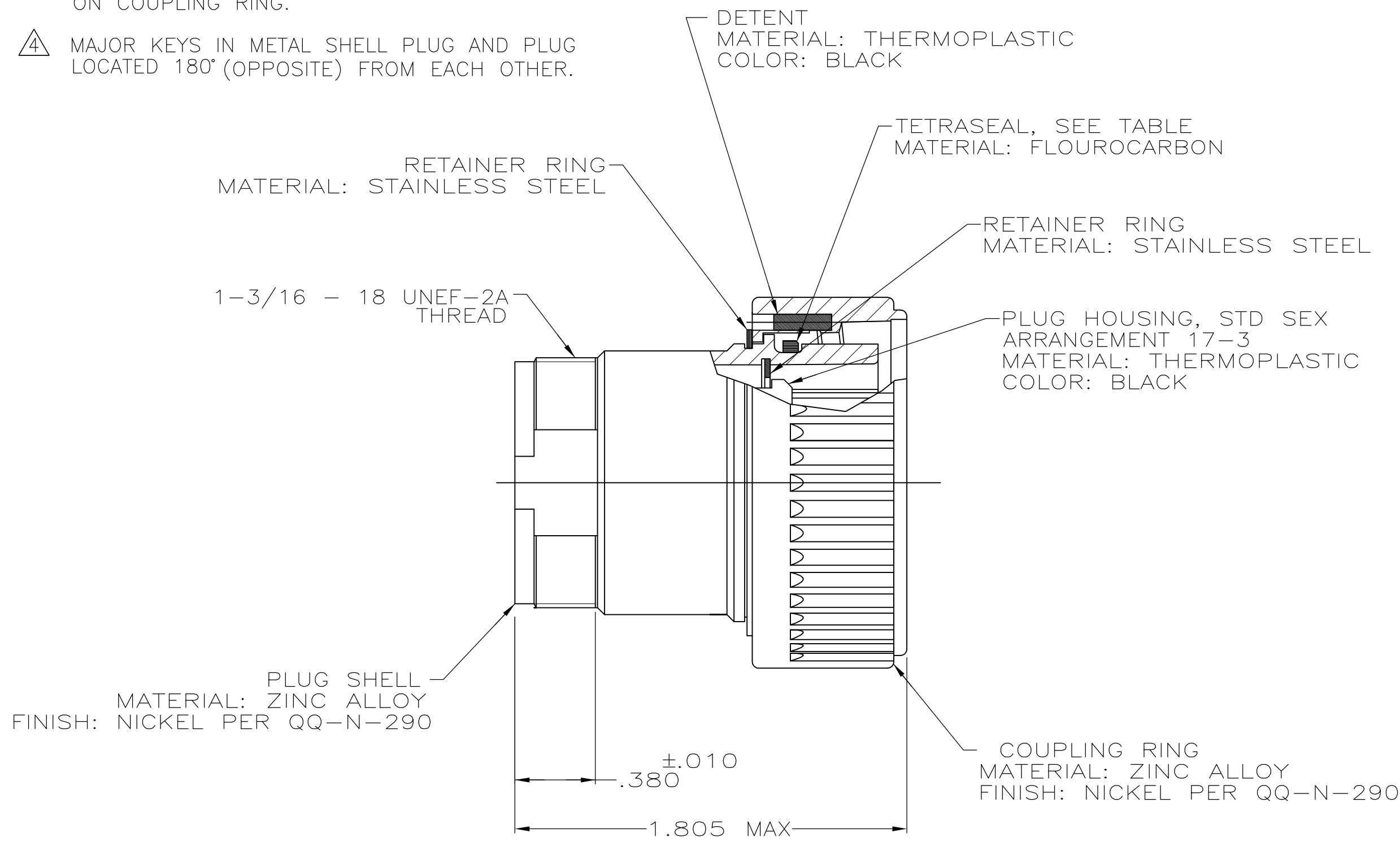


THIS DRAWING IS UNPUBLISHED. RELEASED FOR PUBLICATION
 © COPYRIGHT - By - ALL RIGHTS RESERVED.

LOC	DIST	REVISIONS			
P	LTR	DESCRIPTION	DATE	DWN	APVD
BD	35	M1	REVISED PER ECO-11-004917	11MAR11	RK HMR

1. PLUG MATES WITH RECEPTACLE 208495.
2. THIS PLUG ACCEPTS THREE (3) TYPE XII FEMALE CONTACTS. MAXIMUM WIRE INSULATION DIAMETER = .220.
3. AMP PART NUMBER AND DATE CODE TO BE LOCATED ON COUPLING RING.
4. MAJOR KEYS IN METAL SHELL PLUG AND PLUG LOCATED 180° (OPPOSITE) FROM EACH OTHER.



OBSOLETE	DETAIL A	NO	208494-4
	AS SHOWN	YES	208494-3
	AS SHOWN	NO	208494-1
	KEYING	TETRASEAL	PART NUMBER

THIS DRAWING IS A CONTROLLED DOCUMENT.		DWN H MOLL 7-2-92	TE TE Connectivity	
DIMENSIONS: INCHES		CHK R.STONE 12-29-92		
TOLERANCES UNLESS OTHERWISE SPECIFIED:		APVD K.BEAVER 12-29-92	NAME	
0 PLC ± -		PRODUCT SPEC	108-10040	
1 PLC ± -		APPLICATION SPEC	-	
2 PLC ± -		WEIGHT	-	
3 PLC ± -		SIZE	A2	
4 PLC ± -		CAGE CODE	00779	
ANGLES ± -		DRAWING NO	C=208494	
FINISH		RESTRICTED TO	-	
SEE CALLOUT		CUSTOMER DRAWING	SCALE	2:1
		SHEET	1 of 1	
		REV	M1	

X-ON Electronics

Largest Supplier of Electrical and Electronic Components

Click to view similar products for [Standard Circular Connector](#) category:

Click to view products by [TE Connectivity](#) manufacturer:

Other Similar products are found below :

[5M2530B10P](#) [600259N006](#) [600273N007](#) [6134-336-13149](#) [6134-337-11149](#) [6134-337-2390](#) [6134-341-17149](#) [6280-4SG-516](#) [6280-7SG-3DC](#)
[6290](#) [6291A](#) [66200A-10](#) [680-SMG](#) [681-PMG](#) [CXS3102A14S2P](#) [CXS3102A181S](#) [7271-6SG-300](#) [7282-3PG-300-CH3](#) [75-474618-01S](#) [75-](#)
[474618-04P](#) [75-474618-04S](#) [799539-000](#) [MI8-SE](#) [805-005-07NF11-19PC](#) [805-005-07NF15-7PA](#) [8280-4PG-516](#) [8280-7PG-519](#) [8282-5PG-](#)
[519](#) [836783-1](#) [MP-4102-25P-C](#) [862256-1](#) [864019-2](#) [866857-1](#) [867865-1](#) [PT01SP-14-18P](#) [PT08P-14-5S](#) [120-1833-000](#)
[QCM019PC2DC012B](#) [1-2069279-1](#) [121583-0217](#) [121667-0020](#) [129591AU](#) [1000B BULK](#) [RD10A16-19-P6CS051/1](#) [RD10A20-31-](#)
[P8CS051/1](#) [RD16A14-12-S6CS051/2](#) [1301240290](#) [1301240347](#) [1301860202](#) [1301240268](#) [1301240275](#)