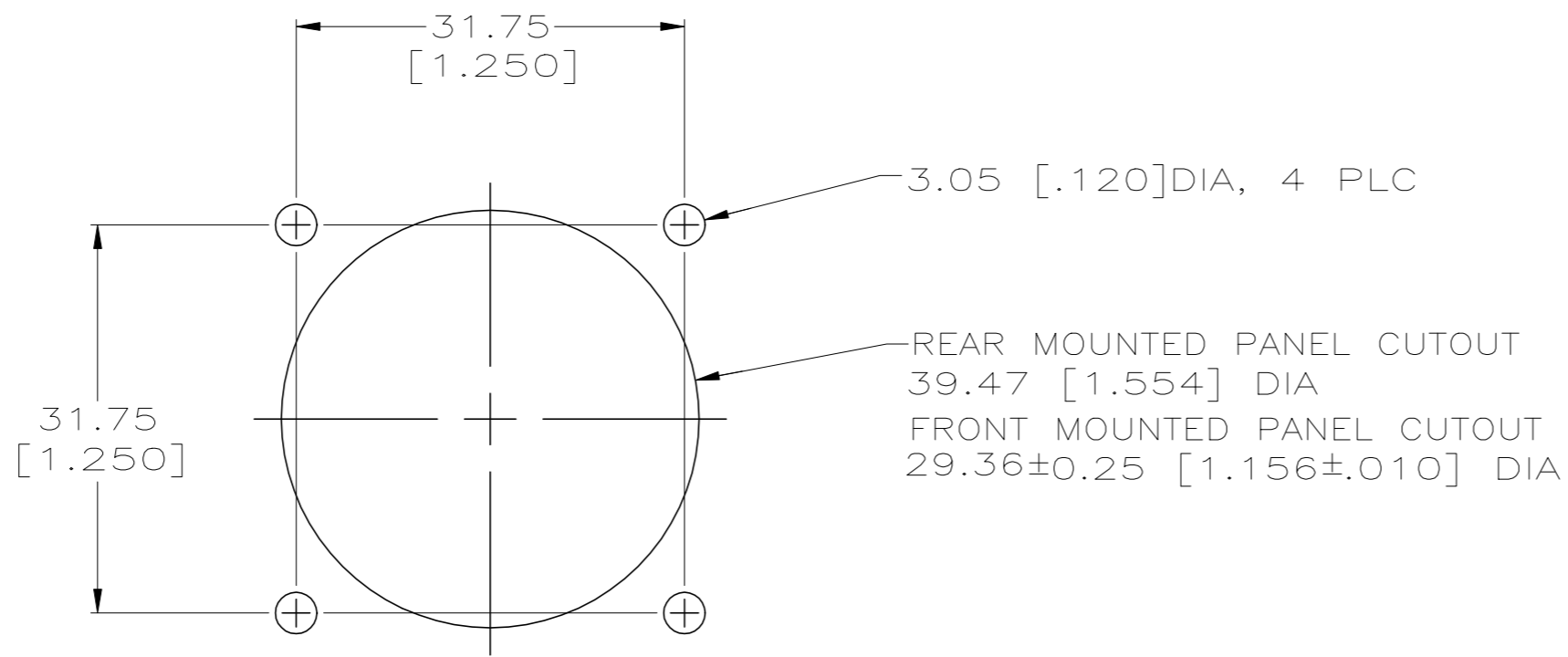
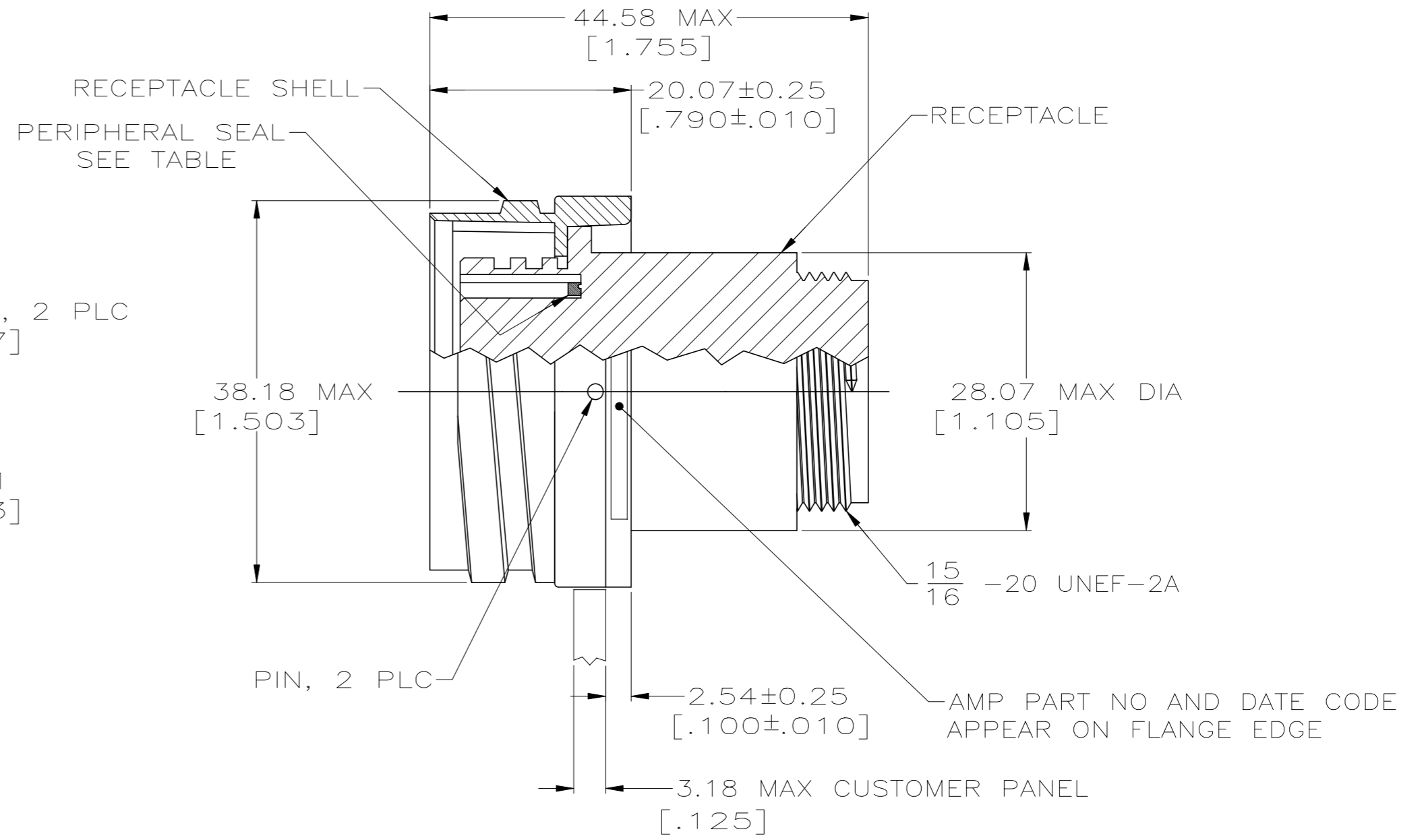
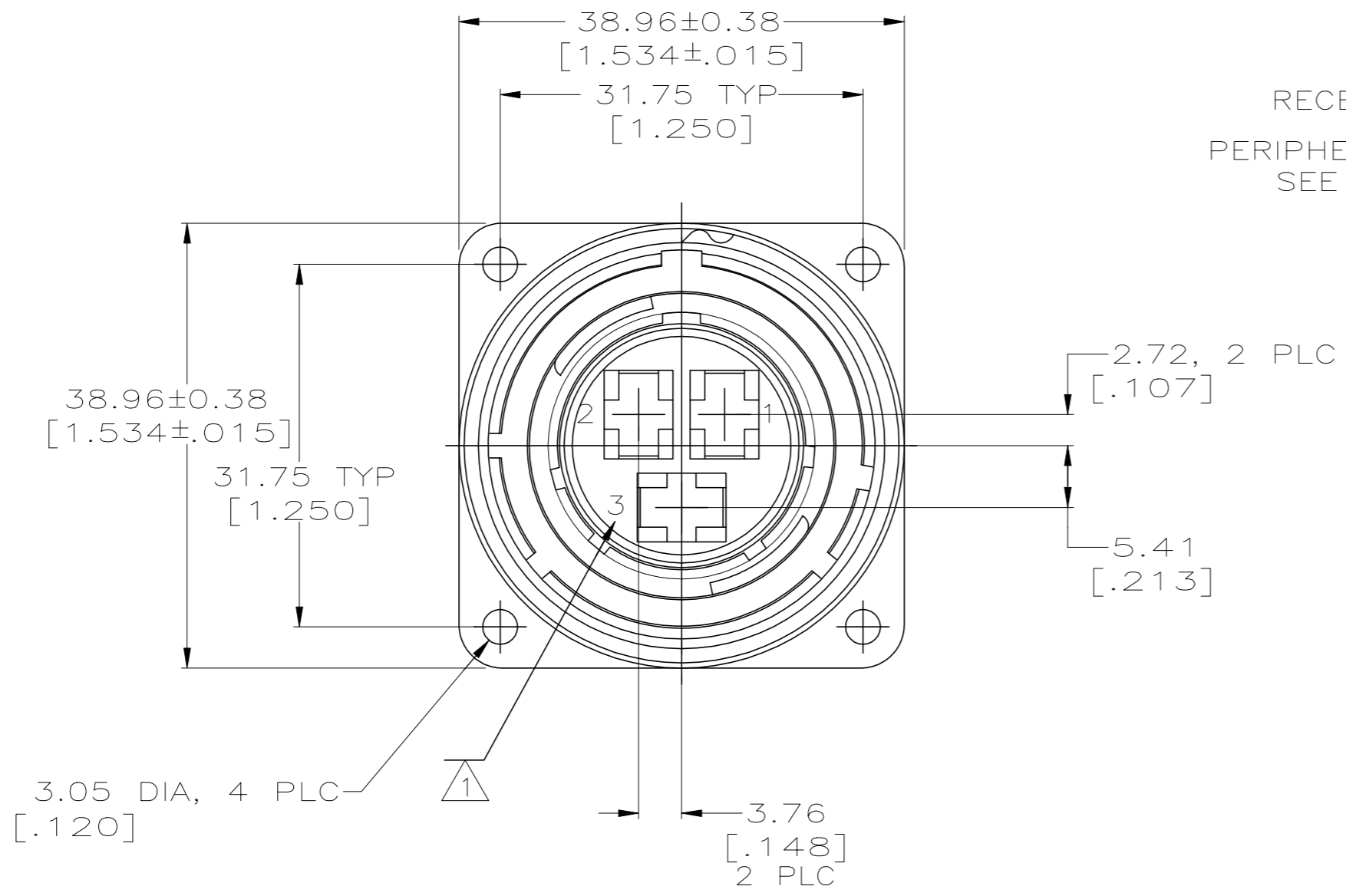


THIS DRAWING IS UNPUBLISHED. RELEASED FOR PUBLICATION
 © COPYRIGHT - TE Connectivity Ltd. ALL RIGHTS RESERVED.

REVISIONS					
P	LTR	DESCRIPTION	DATE	DWN	APVD
	K	REVISED PER ECO-19-011232	07AUG2019	RS	MZ



RECOMMENDED PANEL CUTOUT

- 1 CAVITY IDENTIFICATION CHARACTERS ON FRONT AND REAR FACE.
- 2 RECEPTACLE WILL ACCEPT 3 TYPE XII SOCKET CONTACTS.
- 3 5.08µm [0.000200] MIN NICKEL OVER 10.16µm [0.000400] MIN COPPER.

YES	208497-2
NO	208497-1
PERIPHERAL SEAL	PART NO

THIS DRAWING IS A CONTROLLED DOCUMENT.		DWN W.G.LENKER 1-29-92														
DIMENSIONS: mm [INCHES]		CHK R.STONE 2-11-92														
TOLERANCES UNLESS OTHERWISE SPECIFIED:		APVD C.ROHDE 2-12-92	NAME													
<table border="1"> <tr><td>0 PLC</td><td>± -</td></tr> <tr><td>1 PLC</td><td>± -</td></tr> <tr><td>2 PLC</td><td>± 0.13[.005]</td></tr> <tr><td>3 PLC</td><td>± -</td></tr> <tr><td>4 PLC</td><td>± -</td></tr> <tr><td>ANGLES</td><td>± -</td></tr> </table>		0 PLC	± -	1 PLC	± -	2 PLC	± 0.13[.005]	3 PLC	± -	4 PLC	± -	ANGLES	± -	PRODUCT SPEC	RECEPTACLE ASSEMBLY, 22-3, REV SEX, CMC	
0 PLC	± -															
1 PLC	± -															
2 PLC	± 0.13[.005]															
3 PLC	± -															
4 PLC	± -															
ANGLES	± -															
MATERIAL RECEPTACLE: NYLON, BLACK RCPT SHELL: ZINC PERIP SEAL: ELASTOMER, BLACK PIN: CARBON STEEL		APPLICATION SPEC	SIZE A2	CAGE CODE 00779	DRAWING NO C=208497											
FINISH RCPT SHELL: 3 PIN: NICKEL PLATED		WEIGHT	RESTRICTED TO	SCALE 2:1	SHEET 1 of 1											
		CUSTOMER DRAWING	REV K													

X-ON Electronics

Largest Supplier of Electrical and Electronic Components

Click to view similar products for [Standard Circular Connector](#) category:

Click to view products by [TE Connectivity](#) manufacturer:

Other Similar products are found below :

[5M2530B10P](#) [600259N006](#) [600273N007](#) [6134-336-13149](#) [6134-337-11149](#) [6134-337-2390](#) [6134-341-17149](#) [6280-4SG-516](#) [6280-7SG-3DC](#)
[6290](#) [6291A](#) [66200A-10](#) [680-SMG](#) [681-PMG](#) [CXS3102A14S2P](#) [CXS3102A181S](#) [7271-6SG-300](#) [7282-3PG-300-CH3](#) [75-474618-01S](#) [75-](#)
[474618-04P](#) [75-474618-04S](#) [799539-000](#) [MI8-SE](#) [805-005-07NF11-19PC](#) [805-005-07NF15-7PA](#) [8280-4PG-516](#) [8280-7PG-519](#) [8282-5PG-](#)
[519](#) [836783-1](#) [MP-4102-25P-C](#) [862256-1](#) [864019-2](#) [866857-1](#) [867865-1](#) [PT01SP-14-18P](#) [PT08P-14-5S](#) [120-1833-000](#)
[QCM019PC2DC012B](#) [1-2069279-1](#) [121583-0217](#) [121667-0020](#) [129591AU](#) [1000B BULK](#) [RD10A16-19-P6CS051/1](#) [RD10A20-31-](#)
[P8CS051/1](#) [RD16A14-12-S6CS051/2](#) [1301240290](#) [1301240347](#) [1301860202](#) [1301240268](#) [1301240275](#)