

LOC	DIST	REVISIONS			
GP	00	REV	DATE	BY	APPD
		A	02SEP2009	RG	MS
		A1	14SEP2009	RG	MS

1. PART NUMBER CHANGES AND OR DESIGN CHANGES AFFECTING ITEM INTERCHANGEABILITY REQUIRE PRIOR TYCO APPROVAL AND AUTHORIZATION BY REVISION TO THIS DRAWING.

2. MATERIAL:
 INSULATORS - THERMOPLASTIC, GLASS REINFORCED, COLOR: BLACK
 UL94V-0 FLAMMABILITY RATED.
 POWER CONTACTS - PHOSPHOR BRONZE ALLOY, COPPER ALLOY
 CROWN BAND - BERYLLIUM COPPER ALLOY
 SIGNAL CONTACTS - BERYLLIUM COPPER ALLOY
 GUIDE PIN - BRASS ALLOY

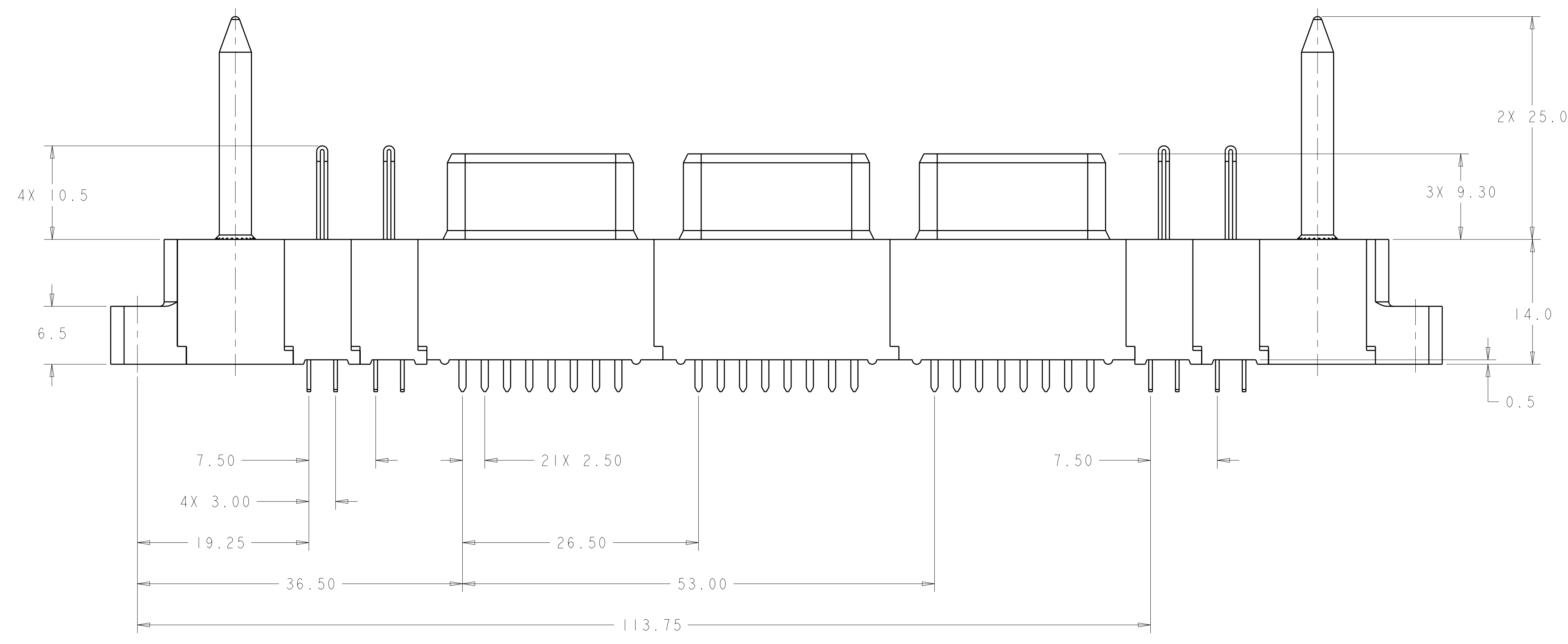
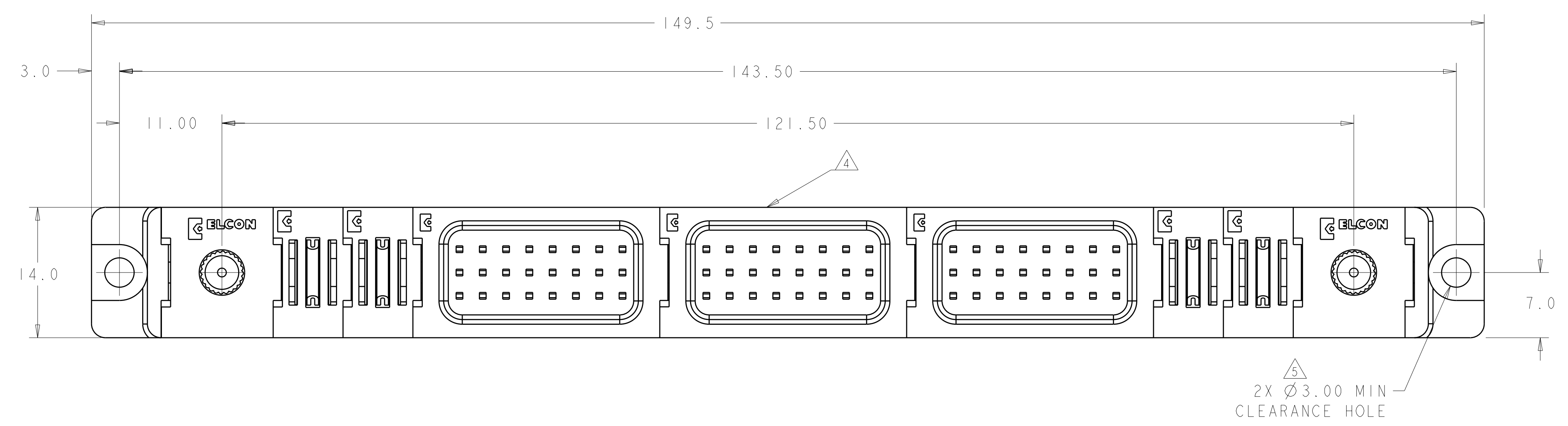
3. FINISH:
 CONTACTS - GOLD PLATE .76µm MIN. THK., OVER NICKEL 1.27µm MIN. THK.
 SOLDER TAILS - TIN 3.05 MIN. THK. OVER NICKEL 1.27µm MIN THK.
 GUIDE PIN - NICKEL PLATE 1.27µm MIN THK.

△ ITEMS PROVIDED TO THIS SPECIFICATION TO BE PERMANENTLY IDENTIFIED PER THE FOLLOWING IDENTIFIER LABEL



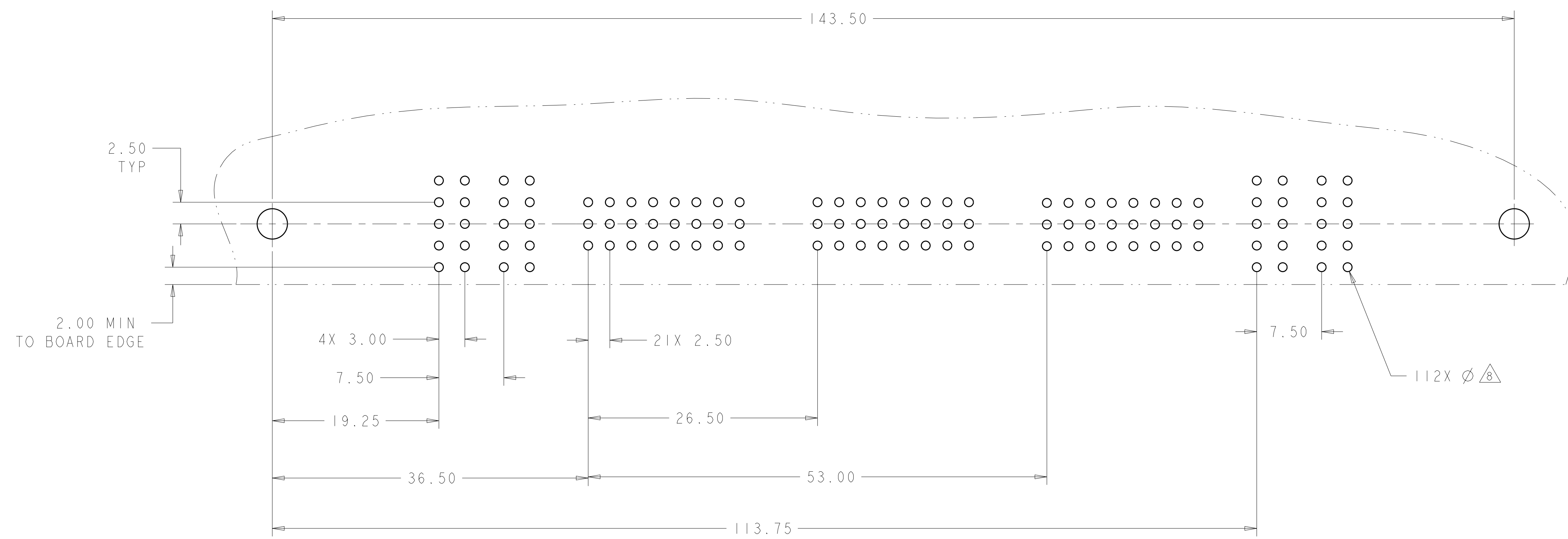
△ MOUNTING FLANGES ACCEPT #6 SCREWS. (USER SUPPLIED)

6. CONNECTOR MATES WITH PN 2085123-1



DIMENSIONS:		TOLERANCES UNLESS OTHERWISE SPECIFIED:		DWN C. ROHER 29JAN2009		AS SHOWN		2085124-1	
mm		0 PLC ±.5		CHK P. DAMATO 29JAN2009		DESCRIPTION		PART NUMBER	
Ø		1 PLC ±0.5		APPD P. DAMATO 29JAN2009		Tyco Electronics		Tyco Electronics	
		2 PLC ±0.25		PRODUCT SPEC		Harrisburg, PA 17105-3608			
		3 PLC ±.5		APPLICATION SPEC		NAME		SOCKET CONNECTOR	
		4 PLC ±.5		WEIGHT		SIZE		CAGE CODE	
		ANGLES ±.3		CUSTOMER DRAWING		A100779		C=2085124	
MATERIAL		FINISH		SCALE		3:1		SHEET 1 OF 3	
				REV		A1			

LOC	DIST	REVISIONS					
GP	00	P	LTR	DESCRIPTION	DATE	DWN	APVD
		-	-	SEE SHEET 1	-	-	-

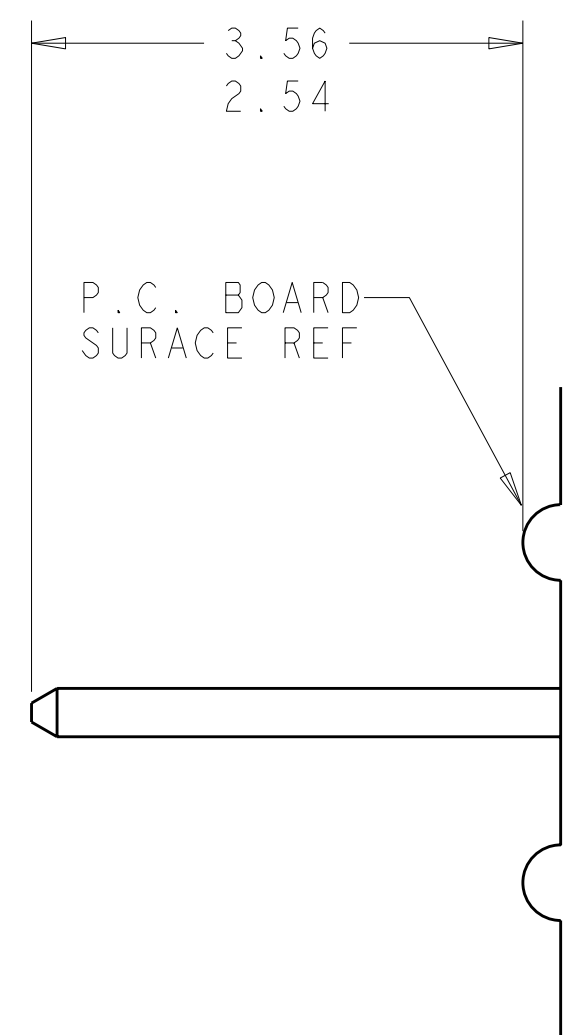


PRINTED CIRCUIT LAYOUT
 COMPONENT SIDE

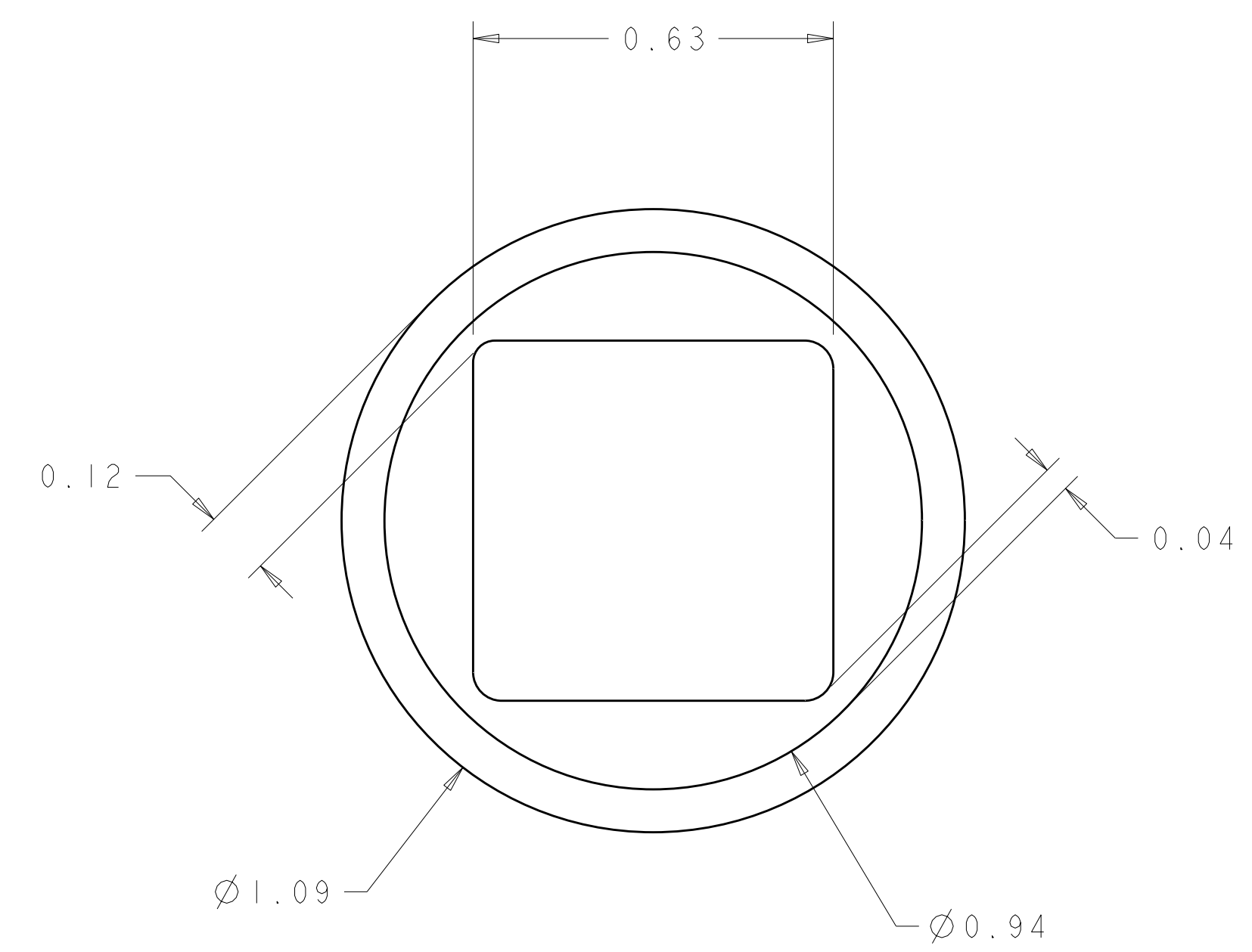
CONNECTOR	CATALOG MODULE #	QTY	SIZE NO.	CONTACT QTY	MATING PIN	MAX. CURRENT (PER CONTACT)	CONTACT SPACING	VOLTAGE RATING
SOCKET	FP318	3	22	72	.64 SQ.	3 amps	2.50	125 VOLTS
	FP161	4	8	4	1.25 X 7.00.	35 amps	7.50	250 VOLTS
	FP503	1	STRAIGHT GUIDE PIN					
	FP500	1	MOUNTING FLANGE, LEFT					
	FP501	1	MOUNTING FLANGE, RIGHT					

<small>THIS DRAWING IS UNPUBLISHED. RELEASED FOR PUBLICATION 20. THIS IS SUBJECT TO CHANGE WITHOUT NOTICE. DIMENSIONS AND TOLERANCES ARE GIVEN IN MILLIMETERS UNLESS OTHERWISE SPECIFIED.</small>		DWN: C. ROHER 29JAN2009 CHK: P. DAMATO 29JAN2009 APVD: P. DAMATO 29JAN2009	Tyco Electronics Harrisburg, PA 17105-3608
DIMENSIONS: mm 	TOLERANCES UNLESS OTHERWISE SPECIFIED: 9 PLC ±.5 1 PLC ±0.5 5 PLC ±0.25 4 PLC ±.3 ANGLES ±.3 FINISH -	NAME: SOCKET CONNECTOR STRAIGHT, SOLDER TAILS FLATPAQ PRODUCT SPEC: - APPLICATION SPEC: - WEIGHT: - CUSTOMER DRAWING	SIZE: A 100779 C=2085124 SCALE: 3:1 SHEET 2 OF 3 REV A1

LOC	DIST	REVISIONS					
		P	LTB	DESCRIPTION	DATE	DWN	APVD
GP	00	-	-	SEE SHEET 1	-	-	-



7. SOLDER PIN DETAIL
SCALE 10 : 1



△ SOLDER TERMINATION AREA
 SCALE 40:1
 RECOMMENDED PRINTED CIRCUIT SOLDER HOLE
 FINISHED HOLE: Ø1.02 ±.08
 DRILLED HOLE: Ø1.15 ±.013
 COPPER PLATE: .025 MIN
 TIN PLATE: .008 MIN. (PER SURFACE)

<small>THIS DRAWING IS UNPUBLISHED. RELEASED FOR PUBLICATION 20 © COPYRIGHT 20 BY TYCO ELECTRONICS CORPORATION, ALL RIGHTS RESERVED.</small>		DWN C. ROHER 29JAN2009 CHK P. DAMATO 29JAN2009 APVD P. DAMATO 29JAN2009	Tyco Electronics Harrisburg, PA 17105-3608
DIMENSIONS: mm 	TOLERANCES UNLESS OTHERWISE SPECIFIED: 0 PLC ±. 1 PLC ±0.5 2 PLC ±0.25 3 PLC ±. 4 PLC ±. ANGLES ±.3 FINISH	NAME SOCKET CONNECTOR STRAIGHT, SOLDER TAILS FLATPAQ SIZE CAGE CODE DRAWING NO A100779C-2085124 WEIGHT CUSTOMER DRAWING	RESTRICTED TO SCALE 3:1 SHEET 3 OF 3 REV A1

X-ON Electronics

Largest Supplier of Electrical and Electronic Components

Click to view similar products for [Power to the Board](#) category:

Click to view products by [TE Connectivity](#) manufacturer:

Other Similar products are found below :

[10131318-08512GRLF](#) [6450171-4](#) [6450552-7](#) [6600323-8](#) [6643429-1](#) [6646040-2](#) [6651939-1](#) [6766604-1](#) [120959-1](#) [1393557-2](#) [1393532-2](#)
[1393532-3](#) [1393532-4](#) [1393557-1](#) [1600812-5](#) [1-6450861-2](#) [1645595-1](#) [1743490-1](#) [1744132-7](#) [1761122-1](#) [1766169-1](#) [1766250-1](#) [18362](#)
[1892109-1](#) [1-967627-6](#) [2226808-1](#) [2-6450860-5](#) [2-6450860-6](#) [2-6450870-0](#) [93003-0502](#) [953552-1](#) [1-6450161-4](#) [1-6450850-6](#) [1645526-2](#) [1-](#)
[6600130-0](#) [1743419-1](#) [1766150-1](#) [2005243-2](#) [211110-1](#) [2-6600130-2](#) [TE34-12-16P-F0](#) [51700-10201602AALF](#) [5-6450830-6](#) [5646956-4](#)
[36662-0005](#) [40585-3000](#) [4-6450830-9](#) [4-6600333-3](#) [51142-0214](#) [10125416-4050LF](#)