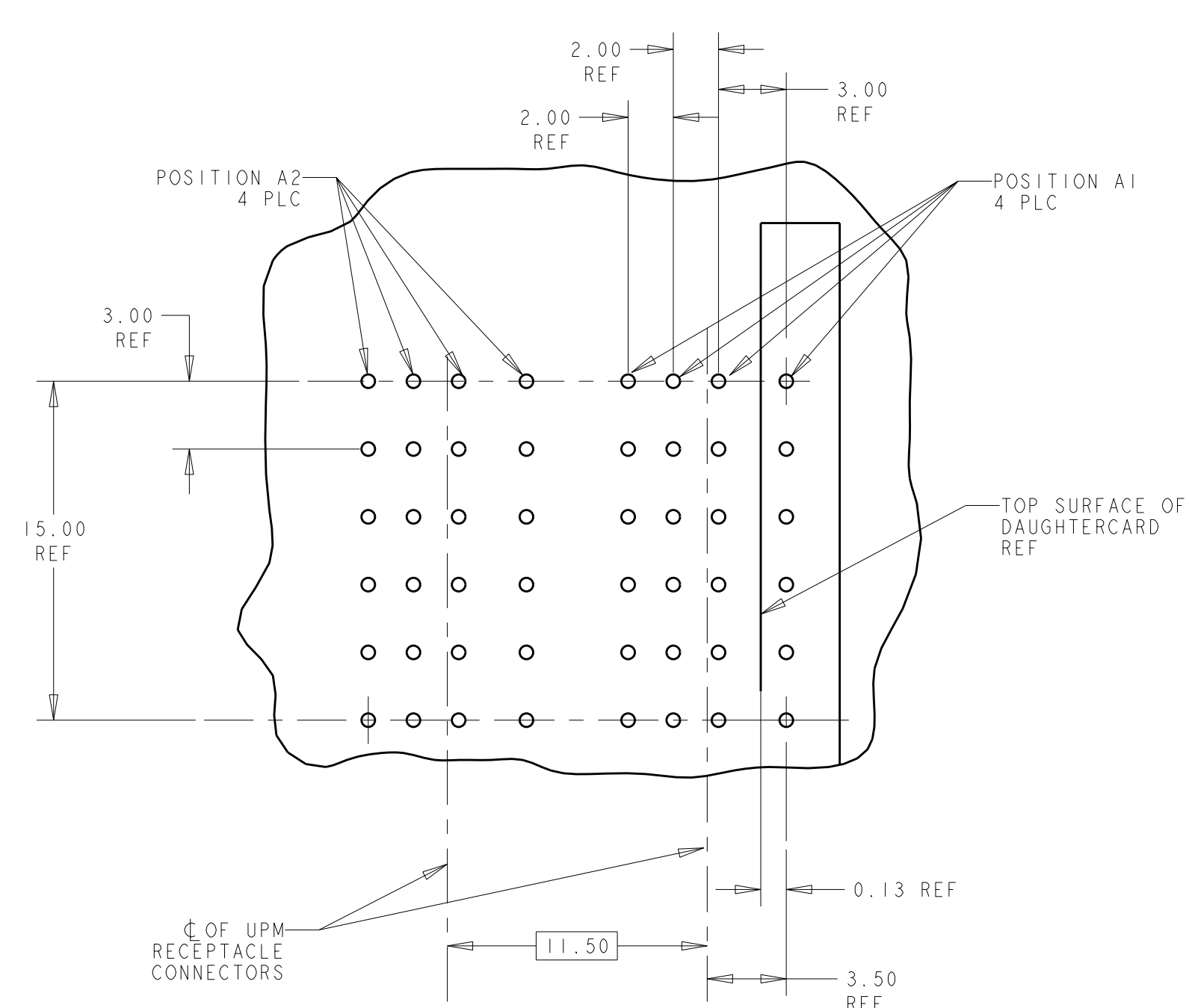
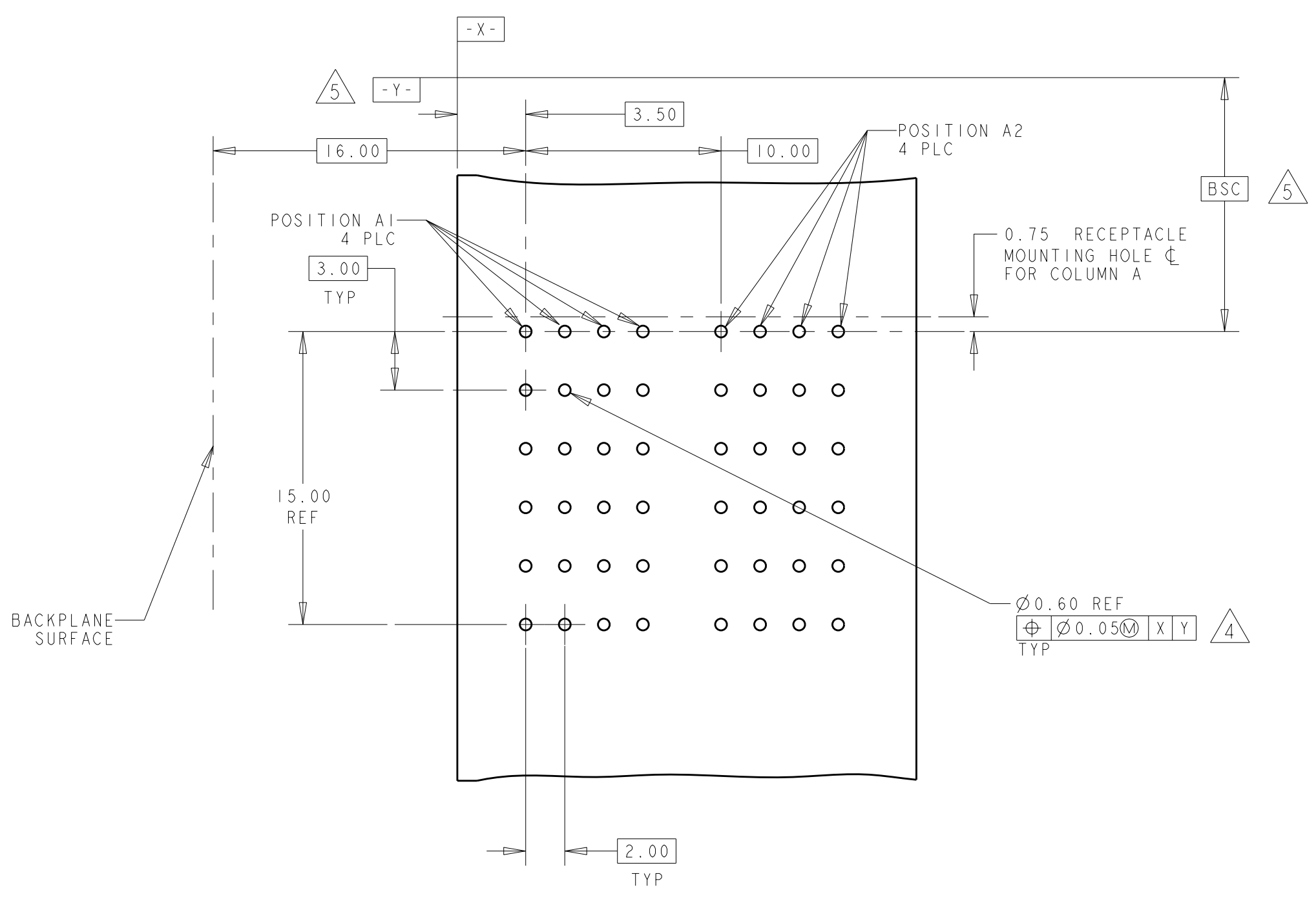
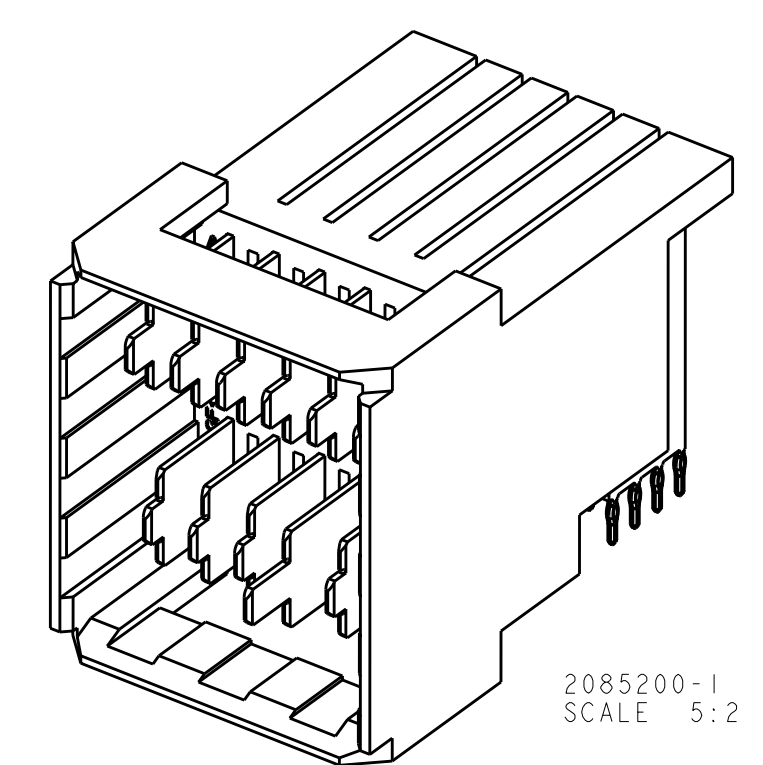
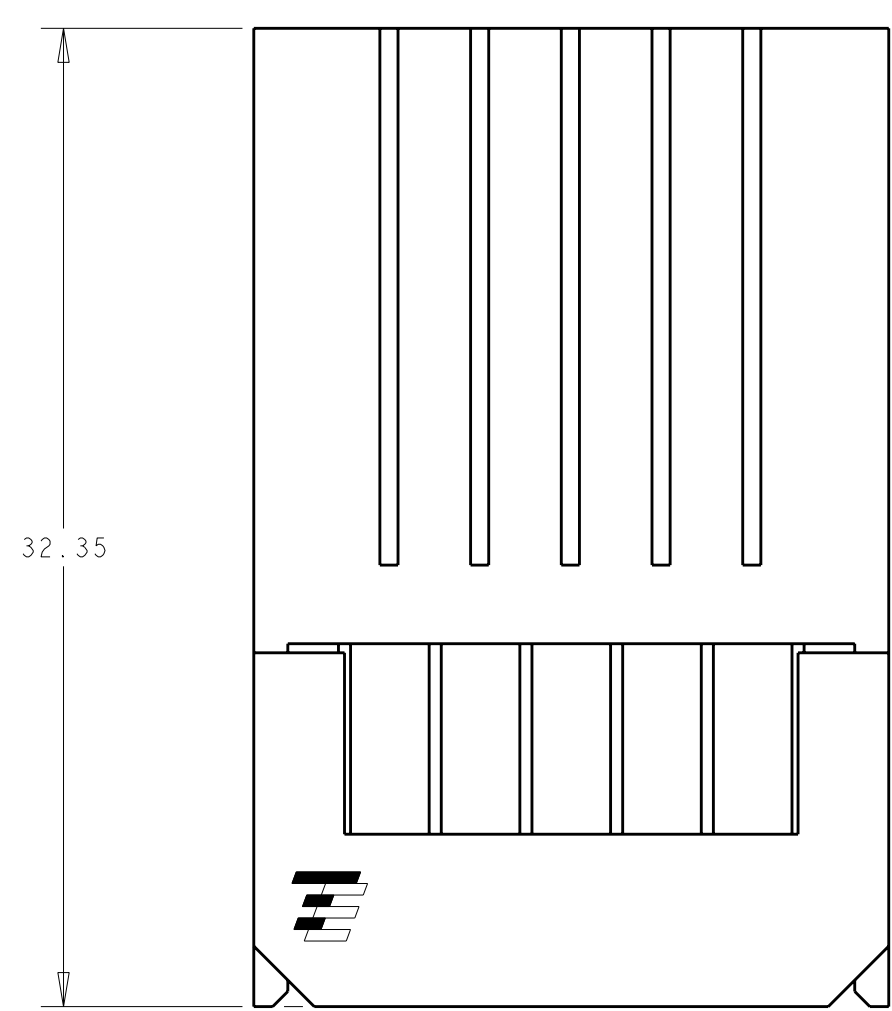


LOC	DIST	REVISIONS			
GP	00	REV	DATE	DWN	APVD
		A	RELEASED PER ECO-09-014682	24JUN2009	RG MS

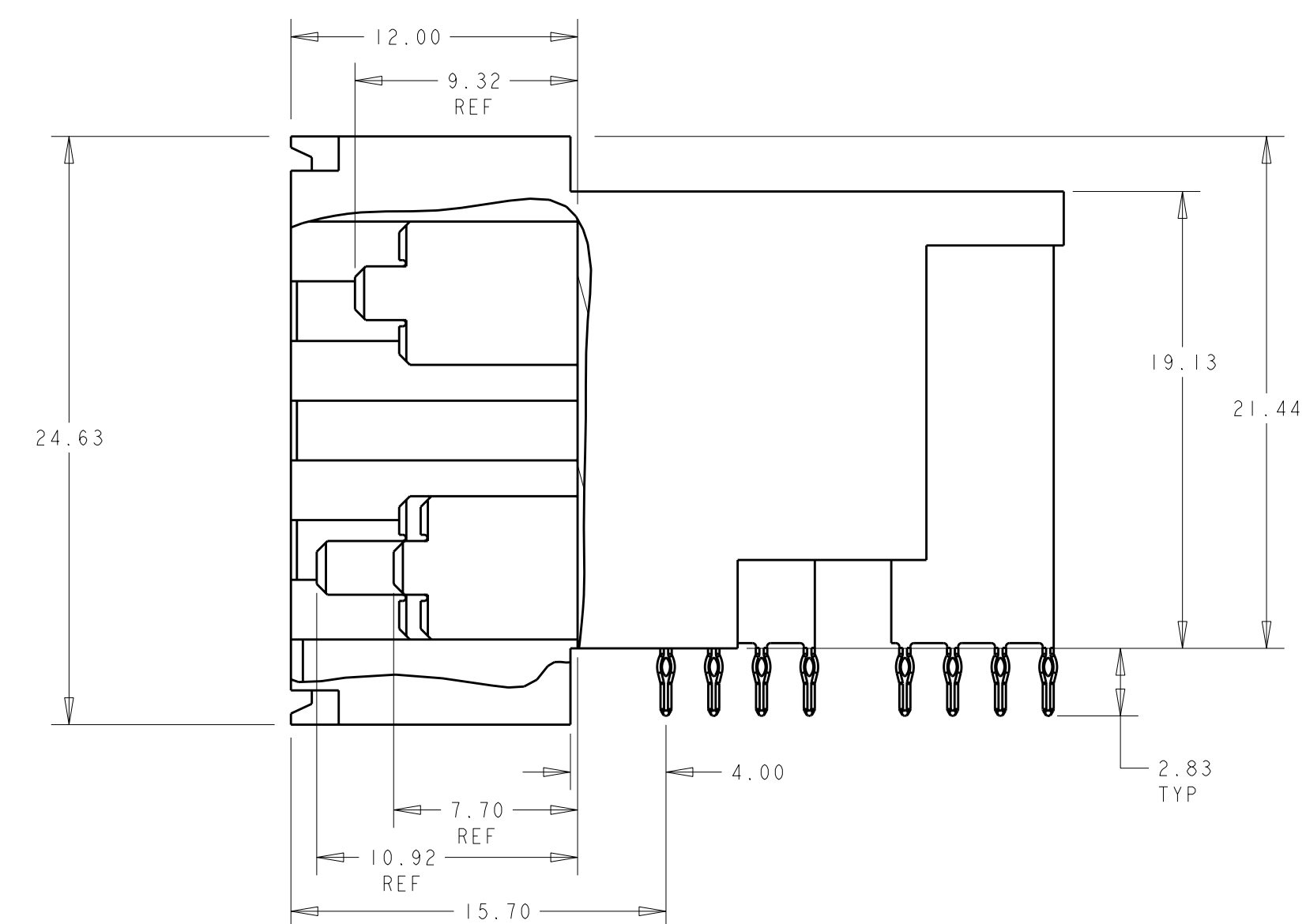
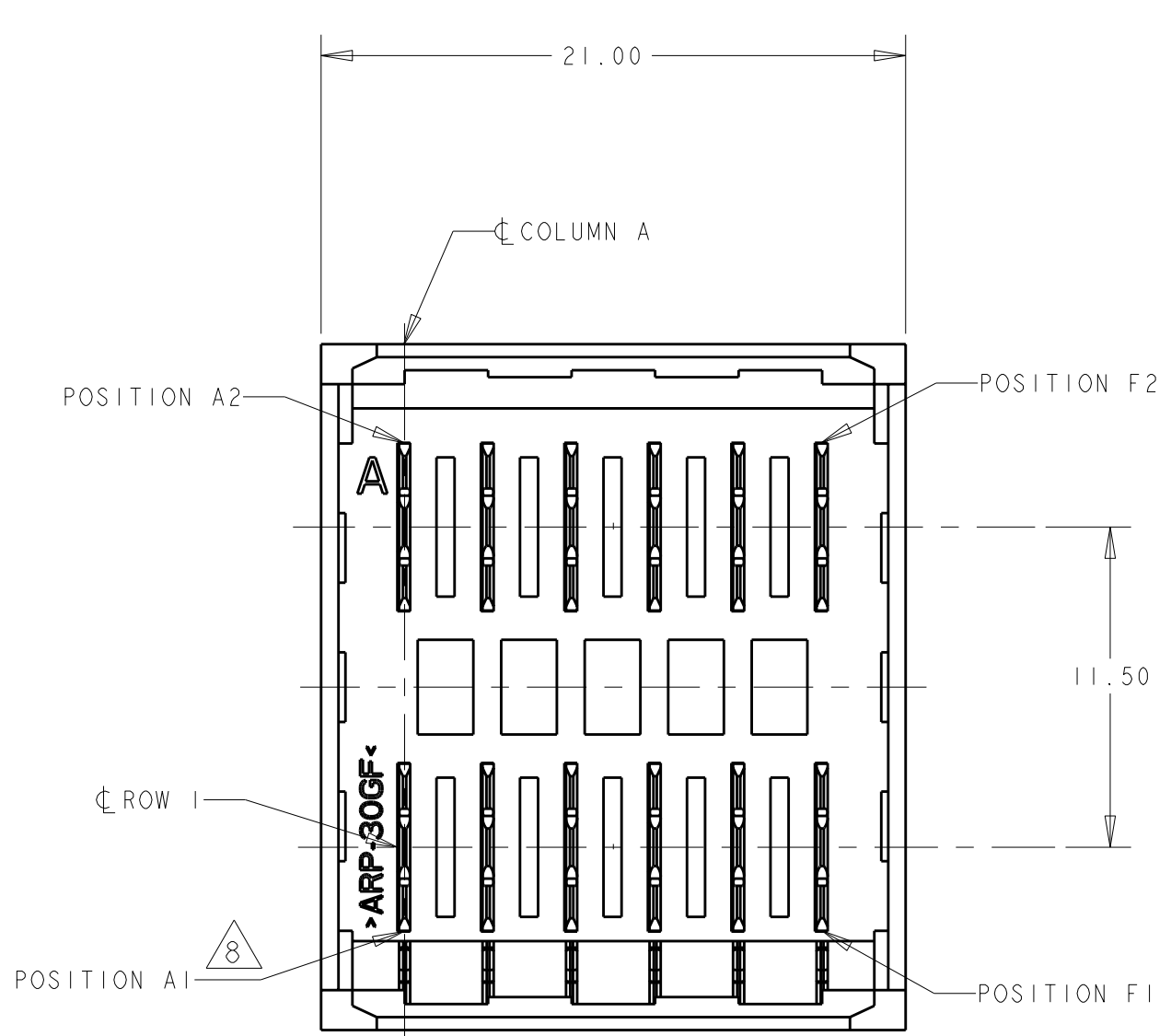
- 1 MATERIAL: HOUSING: POLYESTER. COLOR: BLACK, UL 94 V-0
CONTACT: COPPER ALLOY.
- 2 FINISH: CONTACT MATING AREA: 0.00076 mm MIN GOLD PLATE OVER 0.00127 mm MIN NICKEL, OR 0.0005 mm MIN GOLD OVER 0.00064 mm PALLADIUM-NICKEL OVER 0.00127 mm MIN NICKEL.
COMPLIANT TAIL AREA: 0.0005 mm MIN MATTE TIN PLATE OVER 0.00127 mm NICKEL UNDERPLATE.
- 3 TAILS OF MATING UPM STYLE RECEPTACLE ARE OFFSET BY .75 mm FROM TAILS OF THIS CONNECTOR. SEE CUSTOMER DRAWING 120992 FOR RECEPTACLE EXAMPLE. SEE APPLICATION SPEC 114-1103 FOR MORE DETAILED DESCRIPTION OF THE TAIL OFFSETS.
- 4 PC BOARD HOLE SPECIFICATIONS:
 DRILLED HOLE SIZE: 0.700±0.02 mm
 FINISHED HOLE SIZE: 0.60±0.05 mm
 PLATING THICKNESS:
 0.025 - 0.050 mm COPPER
 0.004 - 0.010 mm HASL TIN/LEAD
 0.0005 mm MIN IMMERSION TIN
 0.0002 - 0.0005 mm OSP
 0.0001mm MIN IMMERSION SILVER
 0.0001-0.0005 mm IMMERSION GOLD OVER 0.004-0.005 mm NICKEL
- 5 DATUM AND BASIC DIMENSIONS ESTABLISHED BY CUSTOMER.
- 6 MINIMUM REQUIRED PC BOARD THICKNESS IS 1.44mm.
- 7 CONTACT AREA LUBRICATED WITH BELLCORE APPROVED LUBRICANT. TECHNICAL REFERENCE GR-1217-CORE, ISSUE 1 NOVEMBER 1995.
- 8 POSITION A1 IS AT MATERIAL ID.



MATING RECEPTACLE PCB LAYOUT 3



RECOMMENDED PCB LAYOUT 6



DIMENSIONS:		TOLERANCES UNLESS OTHERWISE SPECIFIED:		MATERIAL:		FINISH:	
mm	9 PLC ±.25	9 PLC ±.25	5 PLC ±.25	4 PLC ±.25	ANGLES ±1°		

DJ	A2,B2,C2,D2,E2,F2	A1,B1,C1,E1,F1	2085200-3
POSITIONS LOADED WITH LONG 10.92 REF CONTACTS	POSITIONS LOADED WITH MIDDLE 9.32 REF CONTACTS	POSITIONS LOADED WITH SHORT 7.70 REF CONTACTS	PART NO

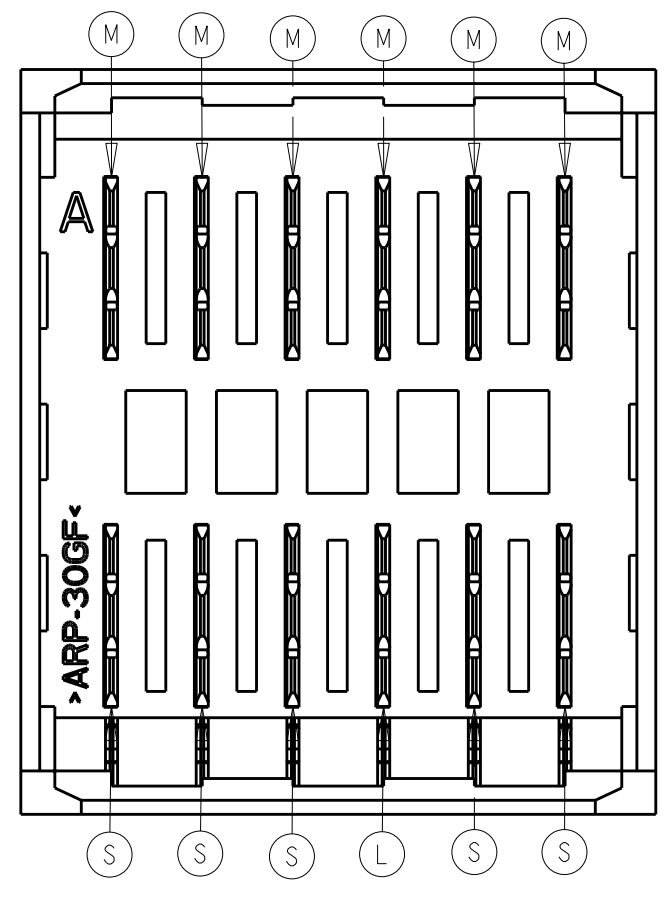
DATE	BY	CHK	APPV	NAME	SIZE	CAGE CODE	DRAWING NO	RESTRICTED TO
30MAR2009	R. GRZYBOWSKI	R. LONDON	M. PERCHERIE	ASSEMBLY, RIGHT ANGLE CONNECTOR MINIPAK HDE 2X6 POSITION	A	100779	C=2085200	

PRODUCT SPEC	APPLICATION SPEC	WEIGHT	CUSTOMER DRAWING	SCALE	SHEET	OF	REV
108-2289				3:1	1	2	A

THIS DRAWING IS UNPUBLISHED. RELEASED FOR PUBLICATION 20
COPYRIGHT 20 BY TYCO ELECTRONICS CORPORATION, ALL RIGHTS RESERVED.

LOC	DIST	REVISIONS					
		P	LTB	DESCRIPTION	DATE	DWN	APVD
GP	00	-	-	SEE SHEET 1	-	-	-

SEQUENCE LOADING PATTERNS VIEWED INTO MATING FACE OF CONNECTOR



<small>THIS DRAWING IS UNPUBLISHED. RELEASED FOR PUBLICATION 20. THIS DRAWING IS UNPUBLISHED. RELEASED FOR PUBLICATION 20. THIS DRAWING IS UNPUBLISHED. RELEASED FOR PUBLICATION 20.</small>		DWN R. GRZYBOWSKI 30MAR2009	Tyco Electronics Harrisburg, PA 17105-3608
DIMENSIONS:		CHK R. LONDON 30MAR2009	NAME ASSEMBLY, RIGHT ANGLE CONNECTOR MINIPAK HDE 2X6 POSITION
TOLERANCES UNLESS OTHERWISE SPECIFIED:		APVD M. PERCHERMI 30MAR2009	
mm	0 PLC ±	PRODUCT SPEC 108-2289	RESTRICTED TO
	1 PLC ±.25	APPLICATION SPEC	SIZE CAGE CODE DRAWING NO
	2 PLC ±.25	WEIGHT -	A 100779 C=2085200
	3 PLC ±	CUSTOMER DRAWING	SCALE 4:1 SHEET 2 OF 2 REV A
	4 PLC ±		
	ANGLES ±1°		
	FINISH		

X-ON Electronics

Largest Supplier of Electrical and Electronic Components

Click to view similar products for [Heavy Duty Power Connectors](#) category:

Click to view products by [TE Connectivity](#) manufacturer:

Other Similar products are found below :

[6646058-2](#) [6646137-1](#) [6646138-1](#) [6646940-1](#) [6651091-1](#) [6651525-1](#) [6651529-1](#) [696475-1](#) [702-32-01109](#) [73080255059](#) [73080965046](#)
[7310205040001](#) [765-16-0080B](#) [765-18-0080D](#) [902-77-02113](#) [PS00/A0620/6300](#) [AN0024023](#) [154-42B7WM250](#) [MS3117-14AC](#) [1643543-1](#)
[1766966-1](#) [1791340000](#) [NLDFT-3-BL-L-S120-M40A](#) [NLDFT-N-W-L-C240-M40B](#) [1926015-1](#) [NLS-3-BL-C240-M40B](#) [NLS-N-W-C240-](#)
[M40B](#) [NPS-3-BL-T6](#) [2-1589900-8](#) [9300480317](#) [294-0091-01100](#) [296-0040-01100](#) [1-6609148-0](#) [A32595-0049](#) [1766249-1](#) [19000005132](#)
[1926016-1](#) [1-966831-8](#) [AN0024202](#) [AN0264023](#) [279-0841-10100A](#) [281-0334-00100A](#) [RMSB4](#) [419-2083-301](#) [LCDX4/0-14B-X](#) [075-8519-](#)
[001](#) [078238-1613](#) [07.470.3256.0](#) [09000005288](#) [09140240311](#)