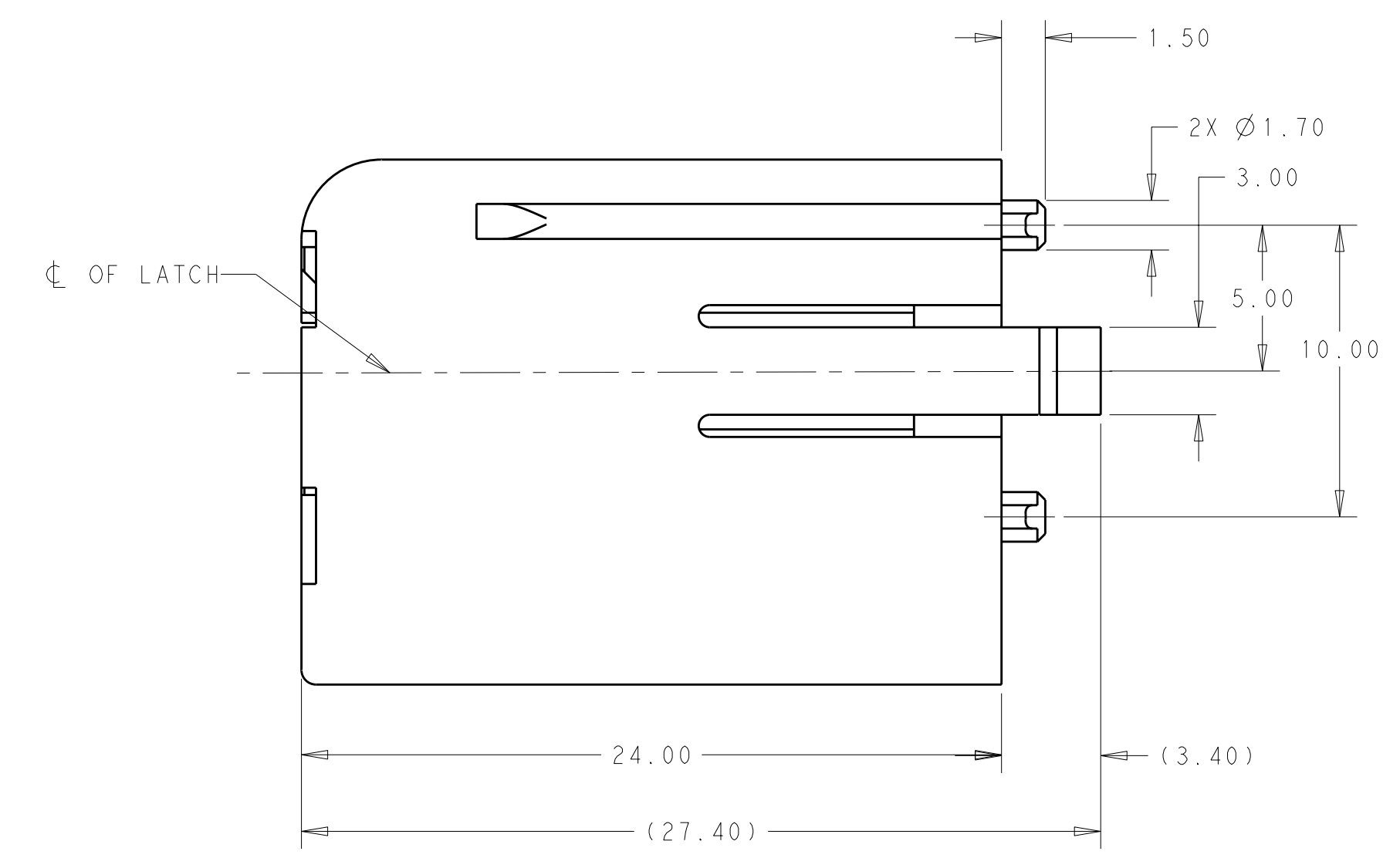
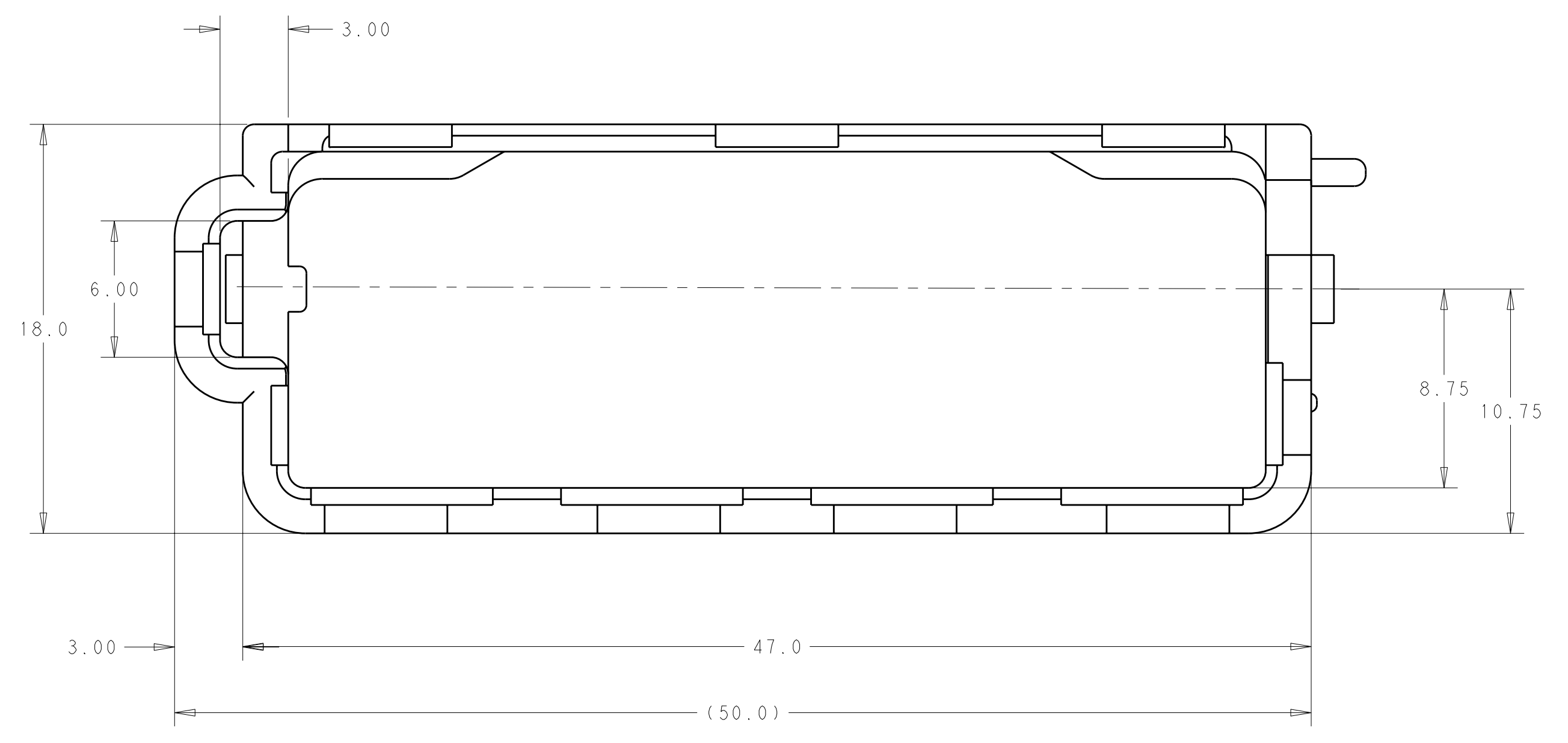
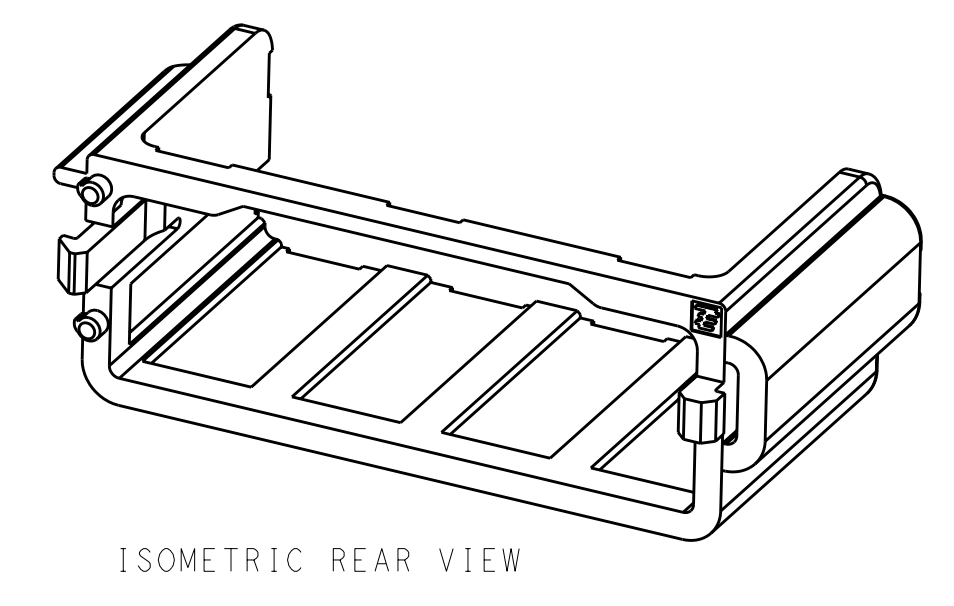
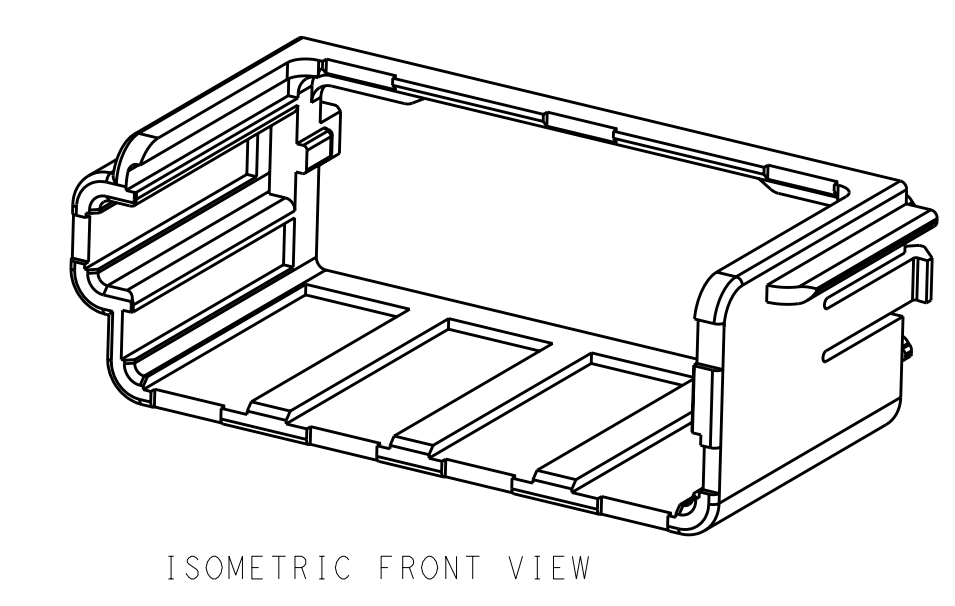
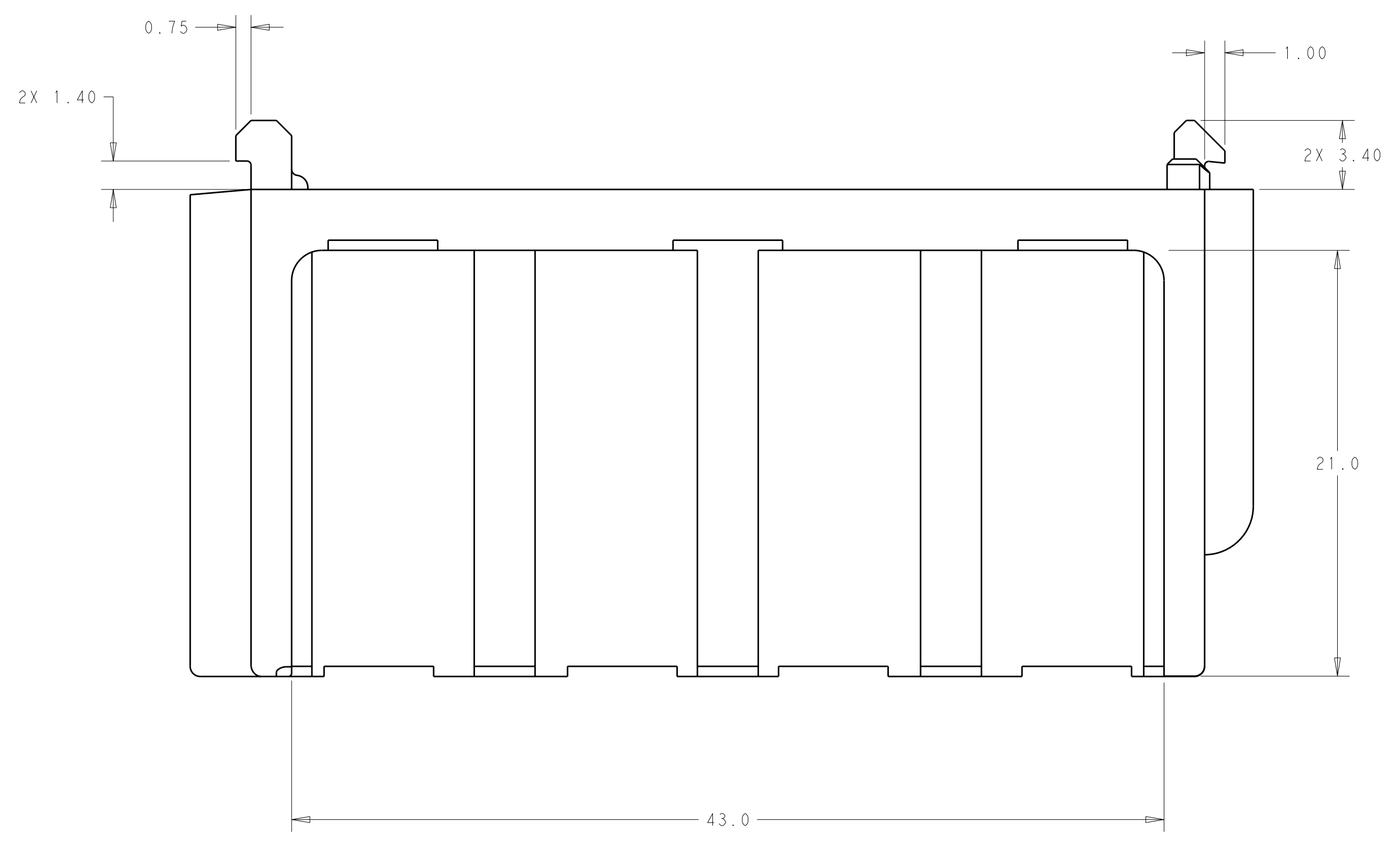


| LOC | DIST | REVISIONS             |           |     |      |
|-----|------|-----------------------|-----------|-----|------|
| REV | DATE | DESCRIPTION           | DATE      | DWN | APVD |
| GP  | 00   |                       |           |     |      |
| C1  |      | REV PER ECO-10-014942 | 21JUL2010 | RG  | SM   |
| D   |      | REV PER ECO-10-015726 | 05AUG2010 | RG  | SM   |

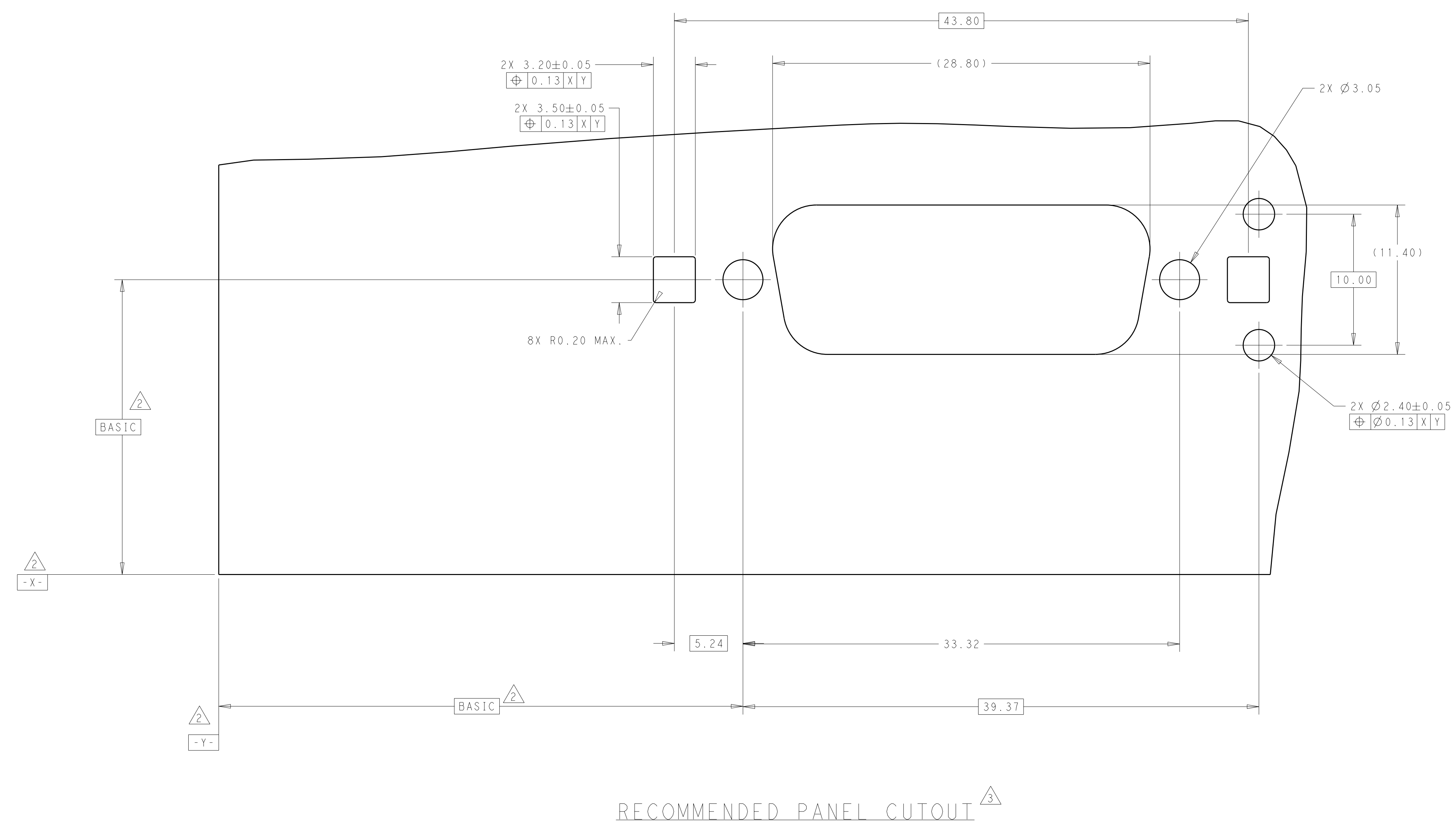


- 1. MATERIAL: THERMOPLASTIC UL 94V-0 RATED, COLOR: BLACK
- 2. DATUMS AND BASIC DIMENSIONS TO BE ESTABLISHED BY CUSTOMER.
- 3. REFERENCE TO APPLICATION SPECIFICATION 114-40030 FOR AMPLIMITE SHELL SIZE 2 PANEL CUTOUT. SHROUD TO BE USED WITH A NOMINAL 1.20mm THICK PANEL.

2085418-1  
PART NUMBER

|  |  |   |   |
|--|--|---|---|
| DIMENSIONS: mm<br>TOLERANCES UNLESS OTHERWISE SPECIFIED:<br>0 PLC ±.4<br>1 PLC ±0.4<br>2 PLC ±0.35<br>3 PLC ±.4<br>4 PLC ±.4<br>ANGLES ±.2<br>FINISH - |  | DWN G. PETERS 23DEC2009<br>CHK L. COSSETT 03MAR2010<br>APVD F. HOWARD 03MAR2010 | Tyco Electronics<br>Harrisburg, PA 17105-3608   |
| MATERIAL -<br>FINISH -   |  | NAME<br>PRODUCT SPEC -<br>APPLICATION SPEC -<br>WEIGHT -<br>CUSTOMER DRAWING    | KEYED CABLE SHROUD<br>PANEL MOUNT<br>SIZE CAGE CODE DRAWING NO<br>A1100779C=2085418<br>SCALE 1:1 SHEET 1 OF 2 REV D |

| LOC | DIST | REVISIONS   |      |     |      |
|-----|------|-------------|------|-----|------|
| P   | LTB  | DESCRIPTION | DATE | DWN | APVD |
| GP  | 00   | SEE SHEET 1 | -    | -   | -    |
|     |      |             |      |     |      |
|     |      |             |      |     |      |



RECOMMENDED PANEL CUTOUT

|   |  |   |  |
|---|--|---|--|
| <small>THE DIMENSIONS OF THIS DRAWING ARE UNLESS OTHERWISE SPECIFIED IN MILLIMETERS. THIS IS SUBJECT TO CHANGE WITHOUT NOTICE AND WITHOUT LIABILITY TO THE CUSTOMER. THE CUSTOMER SHALL BE CONTACTED FOR THE LATEST REVISION.</small> |  | DWN: G. PETERS 23DEC2009<br>CHK: L. COSSETTI 03MAR2010<br>APVD: F. HOWARD 03MAR2010                           | Tyco Electronics<br>Harrisburg, PA 17105-3608                                  |
| DIMENSIONS:<br>mm<br>   | TOLERANCES UNLESS OTHERWISE SPECIFIED:<br>0 PLC ±<br>1 PLC ±0.4<br>2 PLC ±0.35<br>3 PLC ±<br>4 PLC ±<br>ANGLES ±#2<br>FINISH - | NAME: KEYPED CABLE SHROUD PANEL MOUNT<br>PRODUCT SPEC -<br>APPLICATION SPEC -<br>WEIGHT -<br>CUSTOMER DRAWING | SIZE: A100779<br>CAGE CODE: C=2085418<br>SCALE: 1:1<br>SHEET: 2 OF 2<br>REV: D |

## X-ON Electronics

Largest Supplier of Electrical and Electronic Components

*Click to view similar products for [Cable Mounting & Accessories](#) category:*

*Click to view products by [TE Connectivity](#) manufacturer:*

Other Similar products are found below :

[HP-4N](#) [582603-1](#) [009333-000](#) [727844N003](#) [809090N001](#) [8109](#) [843188-000](#) [843459N001](#) [843460N003](#) [8666](#) [967279N002](#) [GPQC1/0](#) [DB-11](#) [1300830208](#) [1300840039](#) [1300900026](#) [1300990052](#) [1301740005](#) [1301800121](#) [1301800416](#) [1300830184](#) [1300990149](#) [1301580036](#) [1301720103](#) [1301720135](#) [1301720152](#) [1301720157](#) [1301740009](#) [1301770011](#) [1301850553](#) [1301860939](#) [1302000074](#) [1302264431](#) [1337706-2](#) [APA18-AK](#) [MTX6UTPSRC-C](#) [1-787307-1](#) [185491N001](#) [HP-6N](#) [C-202-C](#) [202C221-13-0](#) [OMTM-S10-C0](#) [205339-4](#) [CA7308-000](#) [8S23-75FR-CS8184](#) [2684](#) [9648](#) [3089](#) [988382-000](#) [A0270164](#)