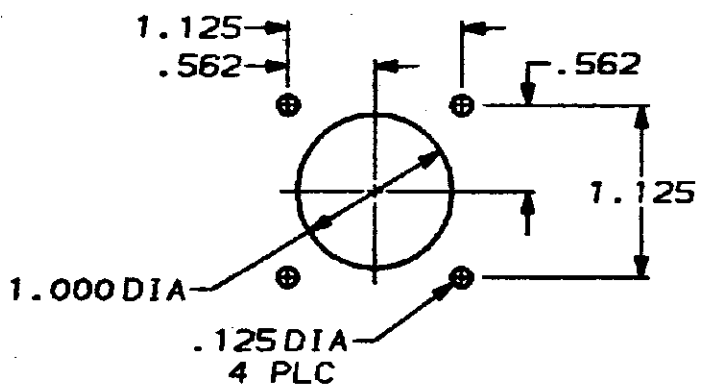
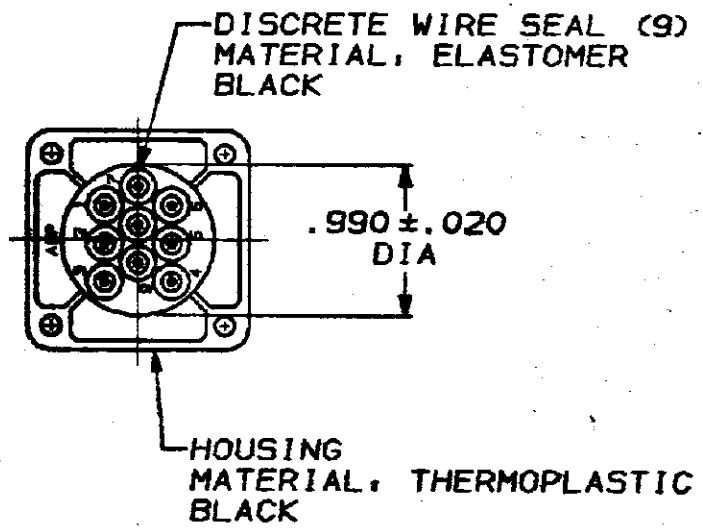
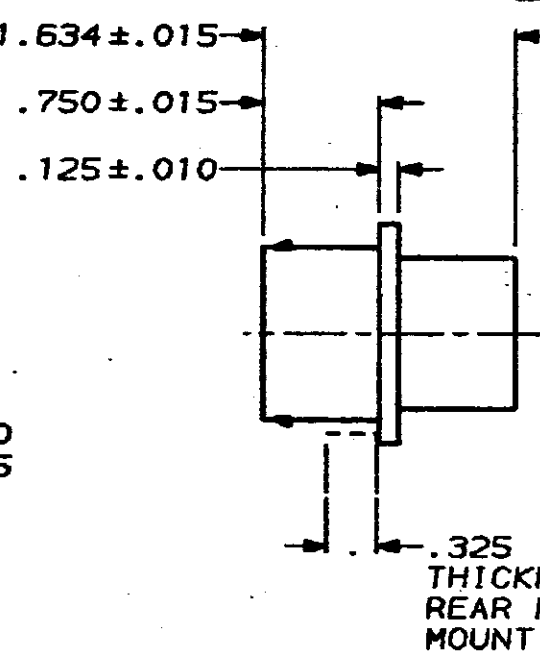
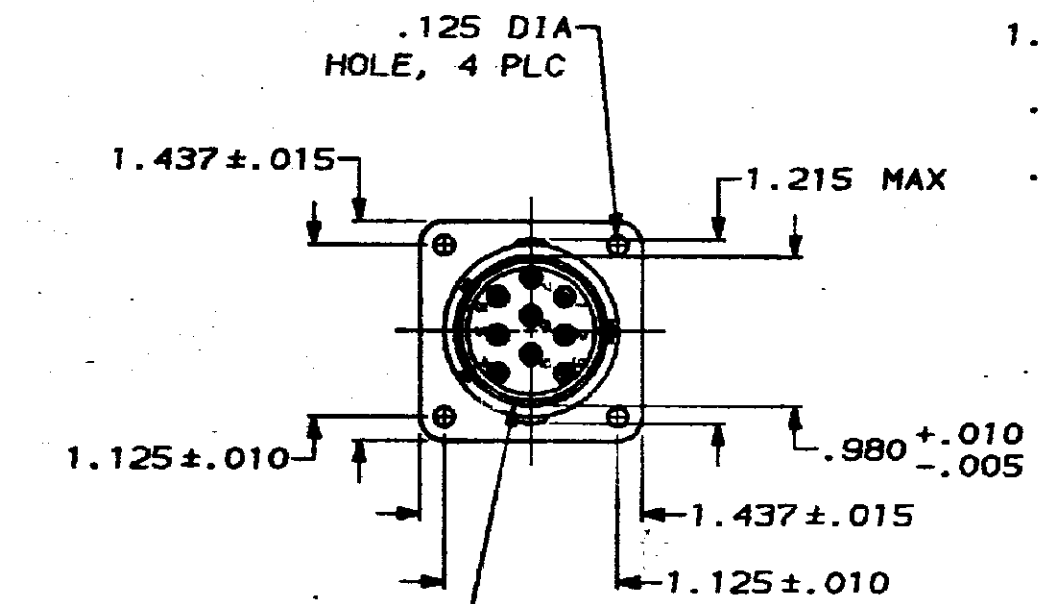


THIS DRAWING IS UNPUBLISHED. RELEASED FOR PUBLICATION .19
 © COPYRIGHT 18 BY AMP INCORPORATED. ALL INTERNATIONAL RIGHTS RESERVED.

MOD	LOC	Q137	REVISIONS				
			ZONE	LTR	DESCRIPTION	DATE	APPD
23	BD	39		D	REDRAWN AND REV PER ECN BD4183	8-10-80	KB
			V	E	REV PER ECN BD5258	08/13/91	KB



1. WIRE INSULATION SEALING RANGE .070-.115 DIA.
2. MATES WITH 208530-1.
3. TOTAL LENGTH OF MATED CONNECTORS IS LESS THAN 2.50 INCHES.
4. THIN MEMBRANE PERMISSIBLE ON SMALL DIAMETER OF WIRE SEALS.

RECOMMENDED PANEL CUTOUT

208546-1
PART NUMBER

DO NOT SCALE PRINT. UNLESS SPECIFIED DIMENSIONS IN INCHES. TOLERANCES ON: 2 PLC DEC * - 3 PLC DEC * .005 ANGLES * -	DR 8-10-80 J. GALLUCI GS CHK 1-4-81 J. ROCLINTON APPD 1-10-81 E. BEAVER APPD 1-20-91 J. FILIPONI PRODUCT SPEC APPLICATION SPEC WEIGHT -	AMP INCORPORATED Harrisburg, Pa. 17105 NAME ECONOSEAL, SQUARE FLANGE RECEPTACLE, SHELL SIZE 17, 9 POSN, PIN CONTACTS SIZE B PSCH NO 00779 SCALE 1:1
--	---	---

DATE	8-10-80	APPD	KB
DATE	08/13/91	APPD	KB
SIZE	B	PSCH NO	00779
DRAWING NO	208546		
SHEET	1 OF 1		

CUSTOMER DRAWING

X-ON Electronics

Largest Supplier of Electrical and Electronic Components

Click to view similar products for [Automotive Connectors](#) category:

Click to view products by [TE Connectivity](#) manufacturer:

Other Similar products are found below :

[003-018-000](#) [600858](#) [60403001](#) [60993906-B](#) [60993913-B](#) [629515004020001](#) [M902-2131](#) [M902-2161](#) [M902-2344](#) [72.330.1035.1](#)
[73.353.4028.0](#) [F118010](#) [F119300-B](#) [F132210](#) [F132210-B](#) [F166900](#) [F180100](#) [F258300](#) [F258300-B](#) [F294300-B](#) [F339100](#) [F339700](#) [F358300-](#)
[B](#) [F374110](#) [F407400](#) [F412210](#) [F427600](#) [F444110](#) [F487000](#) [F495100-B](#) [F500900-B](#) [F509500B-B](#) [770444-1](#) [776880-1](#) [827153-1](#) [881735-1](#)
[8N1515-32-24P](#) [9-1326727-8](#) [9-1326729-8](#) [925467-1](#) [925474-1](#) [928905-1](#) [936398-2](#) [964562-1](#) [964562-4](#) [964731-2](#) [965051-1](#) [968782-1](#)
[GT17SA-8DS-HU](#) [GT17VS-10DP-5.2CF](#)