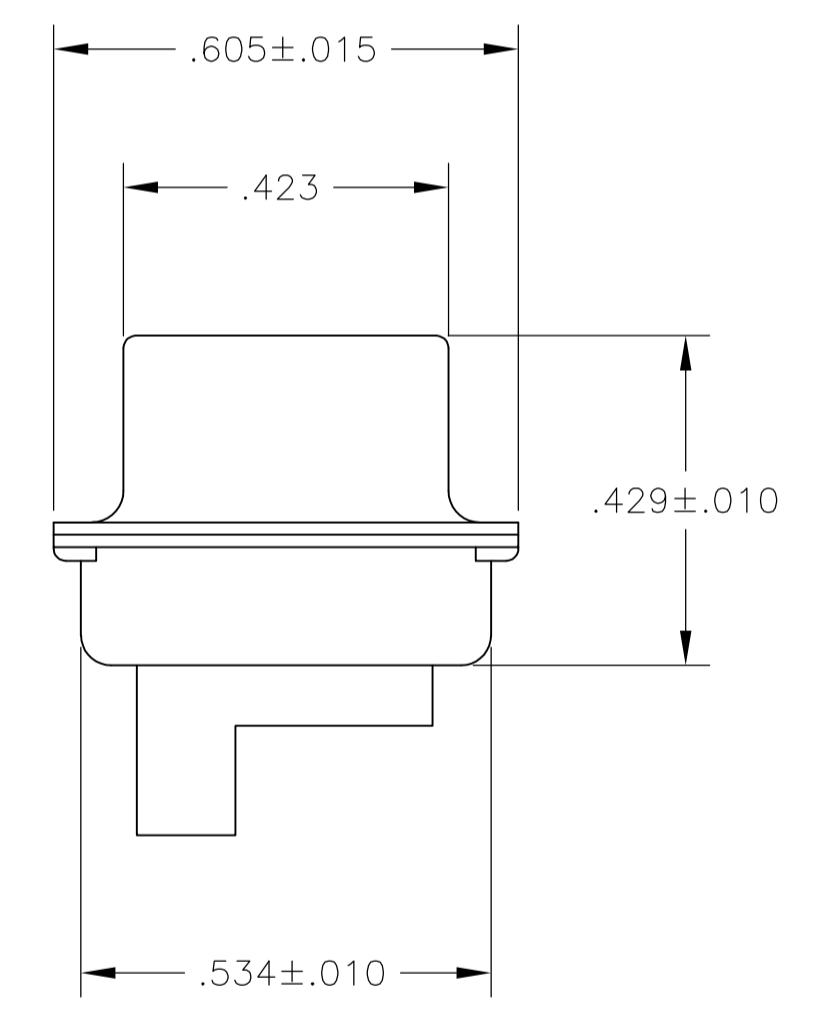
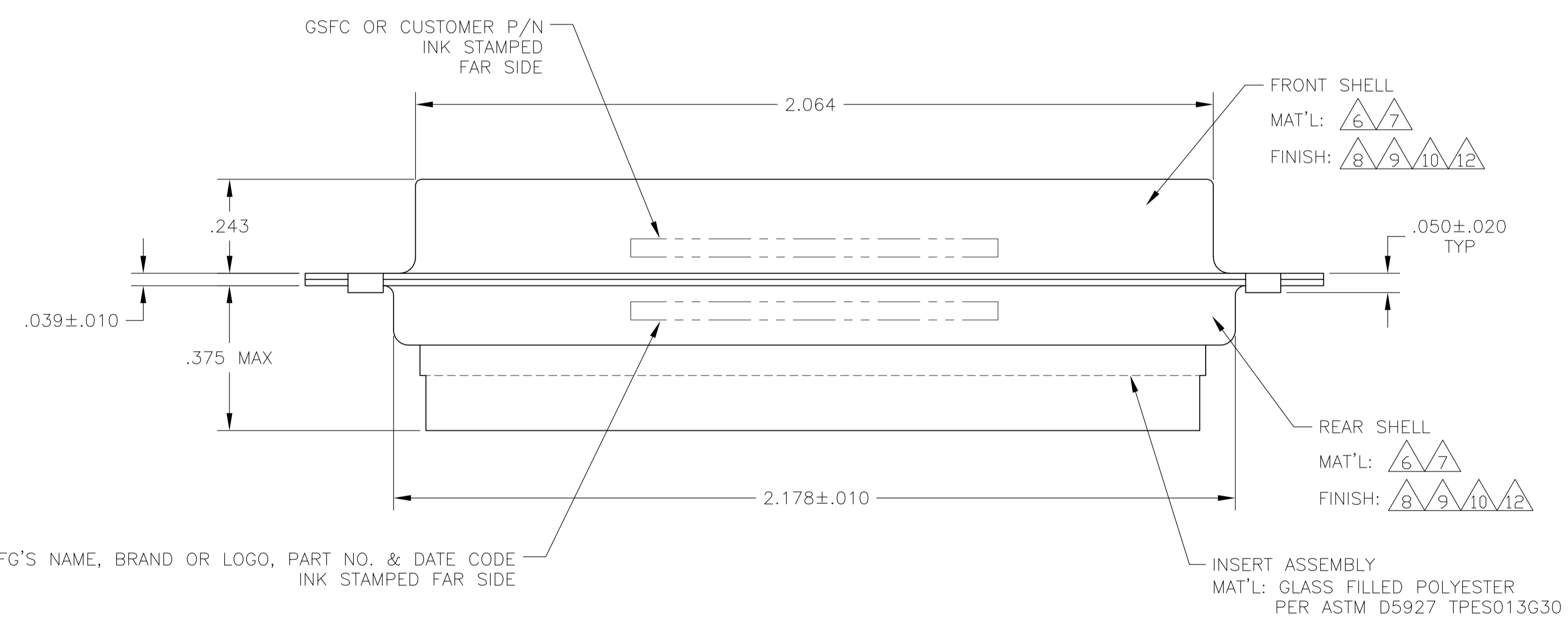
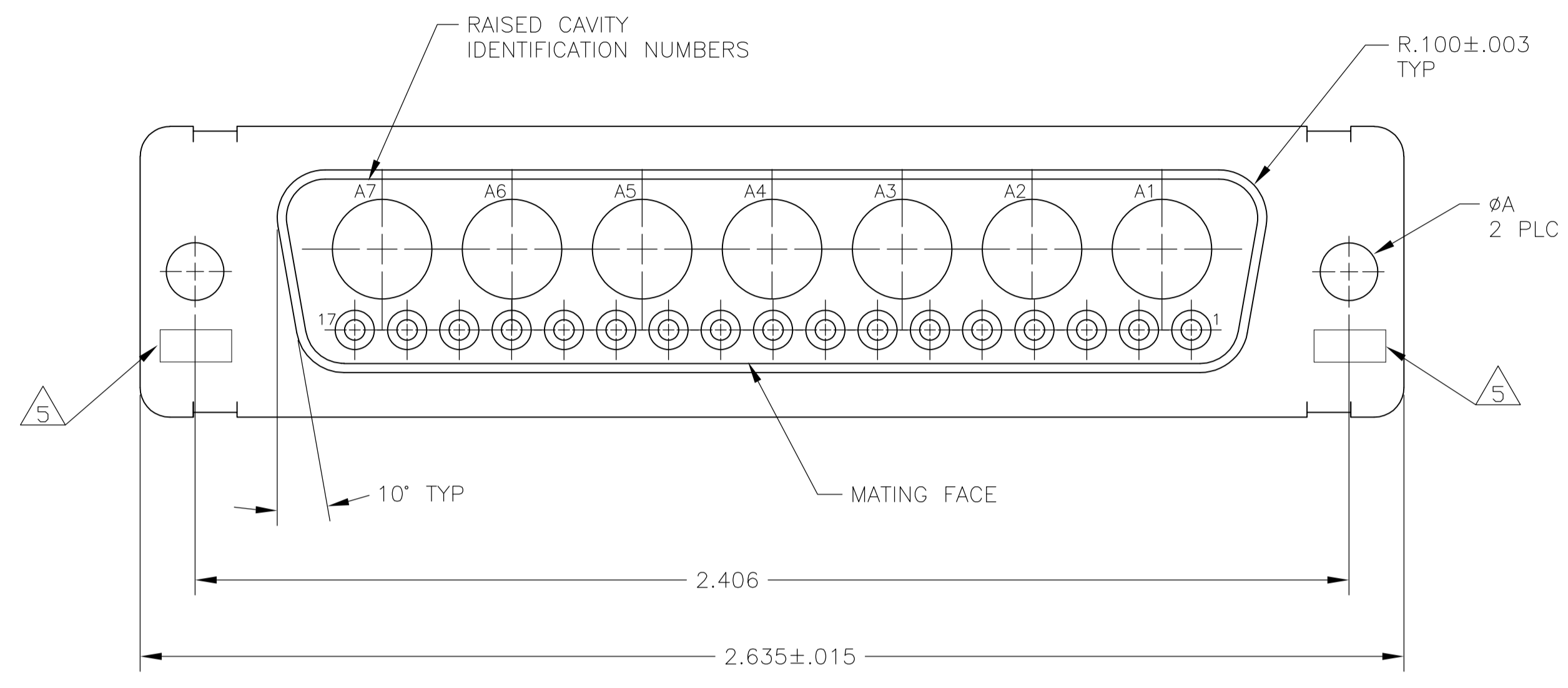


LOC		DIST		REVISIONS			
P	LTR	DESCRIPTION	DATE	DNW	APVD		
U	REV PER ECO	15-016251	11-12-15	CT	CD		

- THIS RECEPTACLE WILL MATE WITH ANY 24C7, SIZE 5 PLUG IN AMPLIMITE SERIES.
 - MAXIMUM WIRE INSULATION TO BE USED WITH THIS RECEPTACLE IS $\phi .068$.
 - THIS CONNECTOR ACCEPTS (7) POWER 8, OR COAX SOCKET CONTACTS IN POSITIONS A1 THRU A7, PURCHASED SEPARATELY.
 - THIS CONNECTOR ACCEPTS SIZE 20 SOCKET CONTACTS IN POSITIONS 1 THRU 17, PURCHASED SEPARATELY.
- 5 UL/CSA DESIGNATION STAMPED IN THIS AREA, OPTIONAL.
 - 6 MATERIAL: STEEL PER ASTM-A-109.
 - 7 MATERIAL: BRASS PER MIL-C-50 AND ASTM-B-36 UNS NO. C26000.
 - 8 FINISH: TIN PER ASTM-B-545 .000400 MIN THK OVER COPPER PER AMS2418 .000050 MIN THK.
 - 9 FINISH: CADMIUM PLATED PER QQ-P-416.
 - 10 FINISH: GOLD PER MIL-G-45204 TYPE II, GRADE C, CLASS 1 OVER COPPER PER MIL-C-14550, CLASS IV.
 - 11 INK STAMP WESTINGHOUSE PART NO. 97942-645A935H03, FAR SIDE.
 - 12 FINISH: ZINC PLATE PER ASTM-B-633, .000200-.000400 THK WITH SUPPLEMENTARY CHROMATE (Cr3+)



6 8	.120	-	5-208552-4
6 12	.120	-	5-208552-1
6 9	.120	T5935-0103-006	208552-7
6 8	.120	-	208552-6
7 10	.154	311P405-22S-B-15	208552-5
6 8	.120	-	208552-4
6 9 11	.120	97942-645A935H03	208552-3
7 10	.120	311P405-22S-B-12	208552-2
6 9	.120	-	208552-1
REMARKS	øA	CUSTOMER PART NO.	PART NO.

THIS DRAWING IS A CONTROLLED DOCUMENT.

DIMENSIONS: INCHES	TOLERANCES UNLESS OTHERWISE SPECIFIED:	DIN T. SHUEY 07-JAN-88	CHK A. EMADI 27-JAN-88	TE Connectivity	
0 PLC ± -	1 PLC ± -	APVD A. EMADI 27-JAN-88	NAME	RECEPTACLE ASSEMBLY	
2 PLC ± -	3 PLC ± .005(0.13)	PRODUCT SPEC	SIZE	CAGE CODE	DRAWING NO.
4 PLC ± -	ANGLES ± # 0'30"	APPLICATION SPEC	WEIGHT	A1	00779C=208552
MATERIAL	FINISH	CUSTOMER DRAWING	SCALE	4:1	SHEET 1 OF 1

X-ON Electronics

Largest Supplier of Electrical and Electronic Components

Click to view similar products for [D-Sub MIL Spec Connectors](#) category:

Click to view products by [TE Connectivity](#) manufacturer:

Other Similar products are found below :

[M85049/50-5F](#) [850-056-0812](#) [1218697-4](#) [1484349-1](#) [17D25HV](#) [1996840-1](#) [243082-15](#) [1757682-1](#) [17D-E51218-1](#) [17SDA15S](#) [1883533-1](#)
[1883886-1](#) [1883889-1](#) [192900-0377](#) [M24308/8-347](#) [M83513/03-E09C](#) [443961-3](#) [5-1218949-1](#) [550-031NF1R6K](#) [3-1236089-2](#)
[550E001NF1R3J0L](#) [550T001NF1R6K0L](#) [557T283NF5B08](#) [DB121073-56](#) [DC121073157](#) [443869-3](#) [443869-4](#) [443869-5](#)
[550S004NF1R1B0F03](#) [557E283NF1A06](#) [527-019NF0303R2K1F](#) [5-446405-1](#) [550-031NF1R2E](#) [550E003M2R9J0F04](#) [550E003M3R9J0F05](#)
[550E024M104R9J0](#) [550E024NF102R3J0B](#) [550E039NF1R3J1-02](#) [550S003M3R9B0F05](#) [550S004M4R7M0F04](#) [550S004NF1R1B1F02](#)
[550S008M3F0K0F04](#) [550S086M5R3J0L](#) [550S100NF3F0E](#) [550T001M2R7E0L](#) [550T001NF1F0B1L](#) [550T001NF1R1K0G](#)
[550T001NF1R3K0G](#) [550T001NF1R4K0L](#) [550T001NF2R2K0L](#)