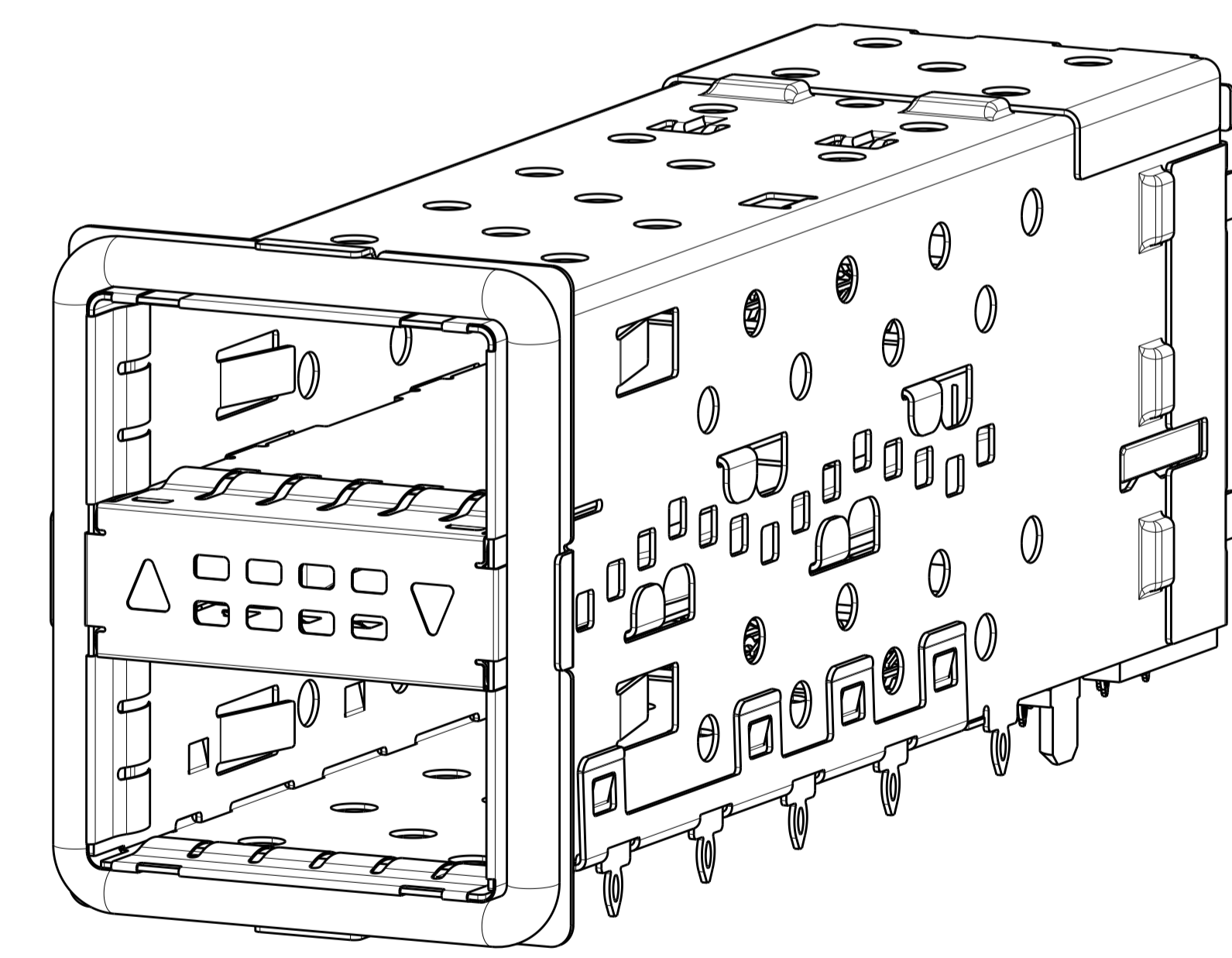
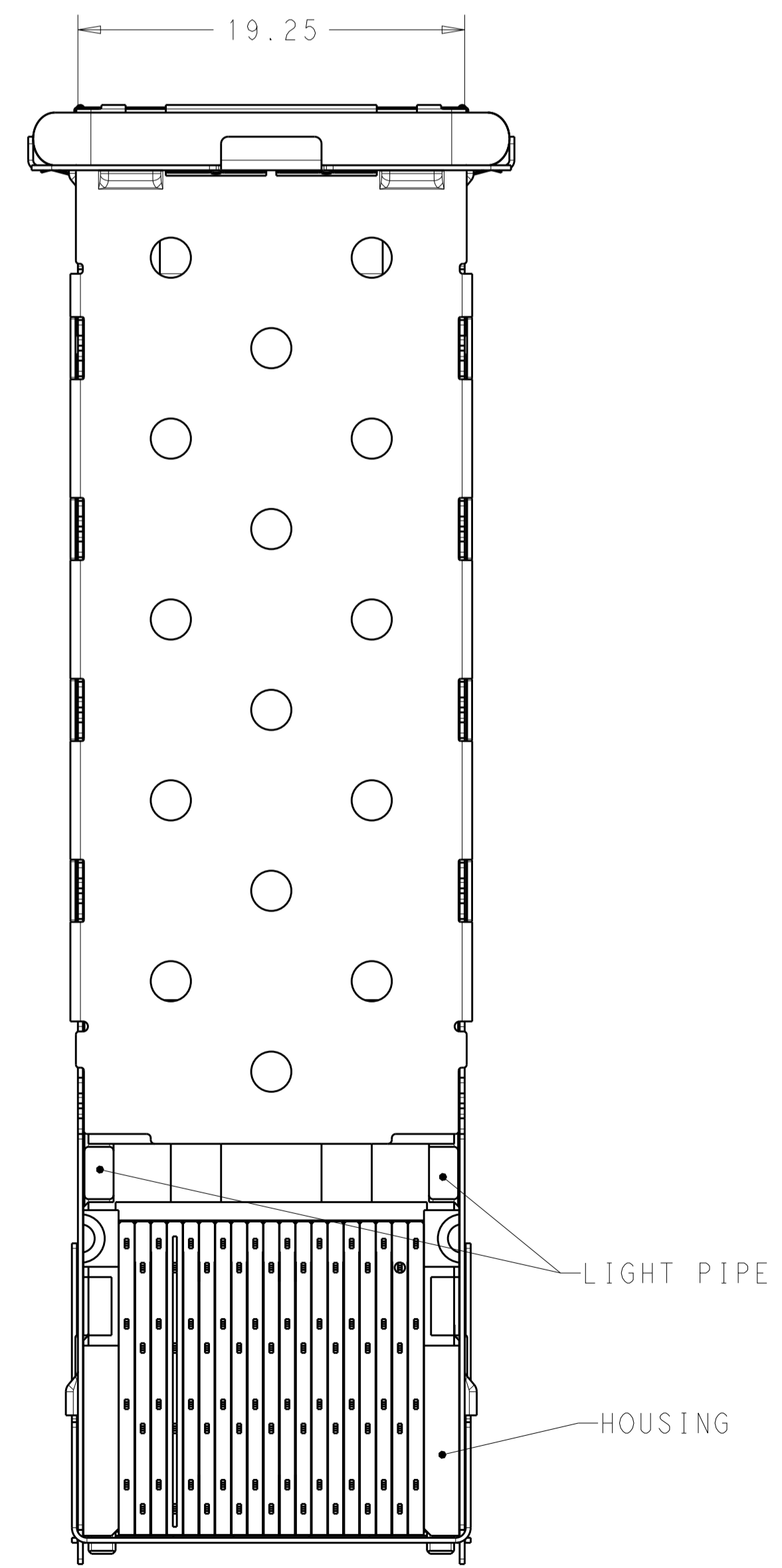
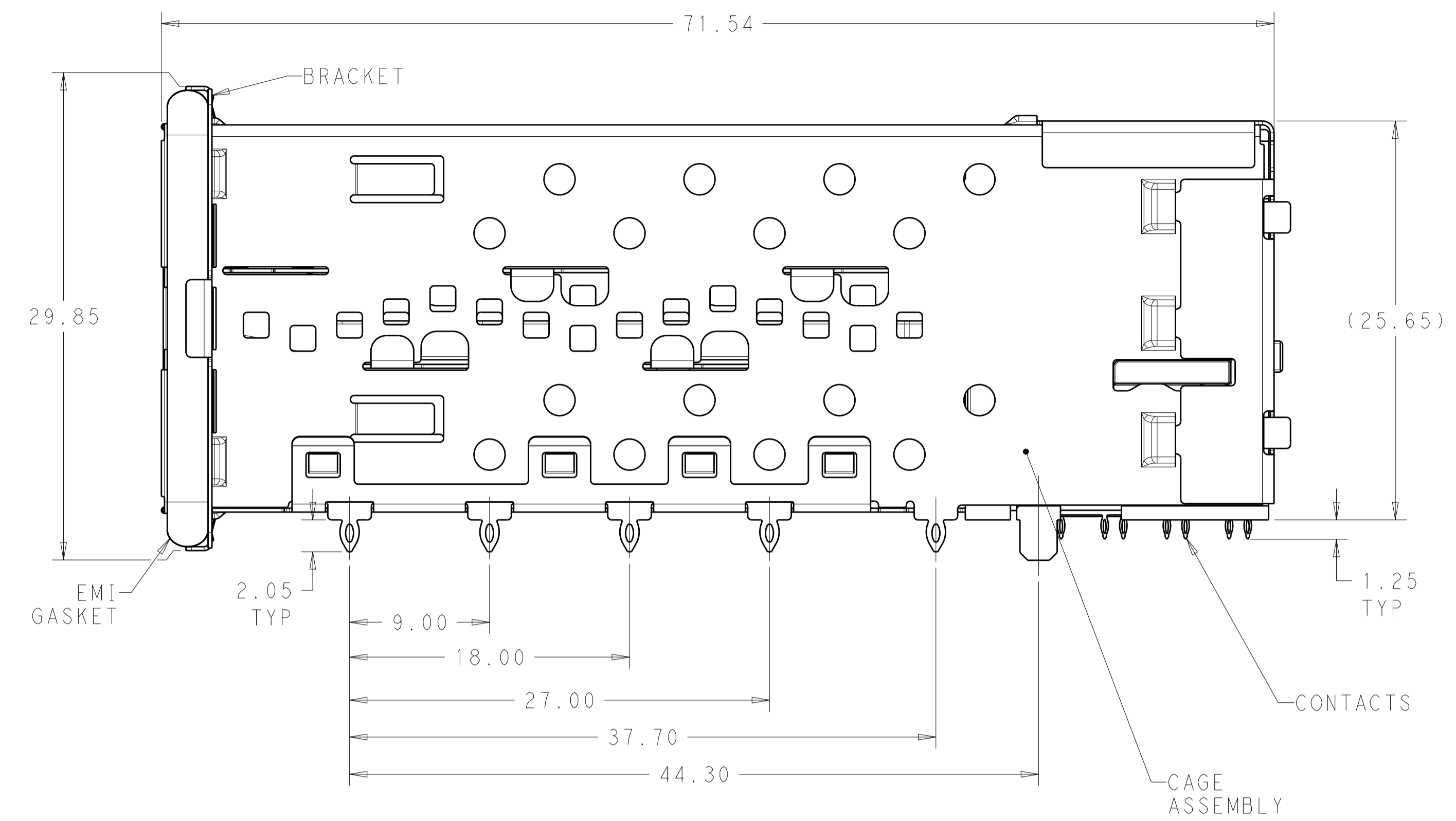
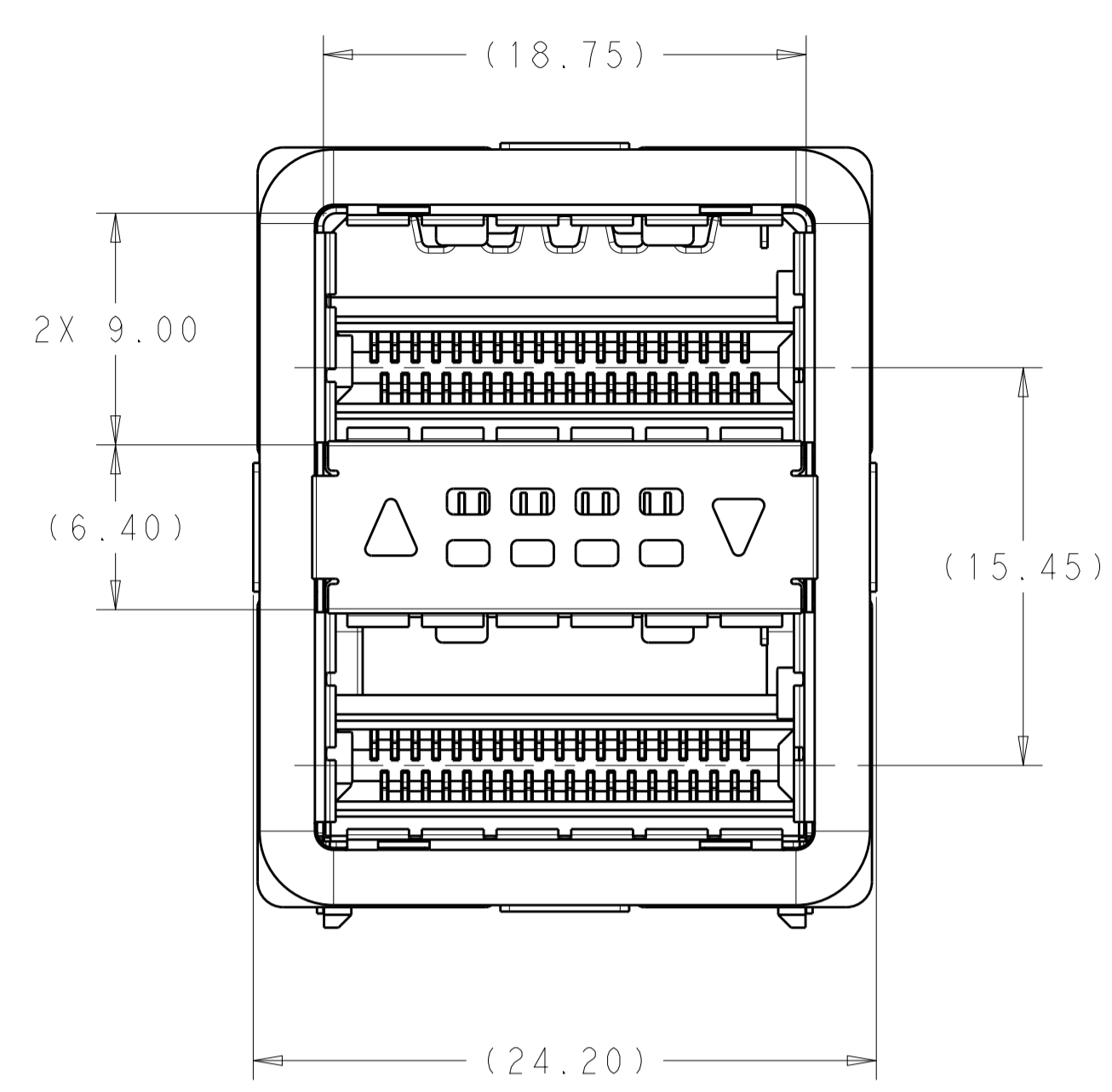


| LOC | | DIST | | REVISONS | | | |
|-----|-----|--------------------------------|-----------|----------|------|--|--|
| P | LTN | DESCRIPTION | DATE | DMN | APVD | | |
| 8 | | UPDATE DEFAULT TOLERANCE | 3APR2014 | RG | MC | | |
| 9 | | ADD APPLICATION SPEC | 6NOV2014 | RG | MC | | |
| 10 | | ADD 2085945-8 | 18MAY2015 | RG | SH | | |
| 11 | | UPDATE SHEET 4 FACE PLATE VIEW | 2SEP2015 | RG | SH | | |



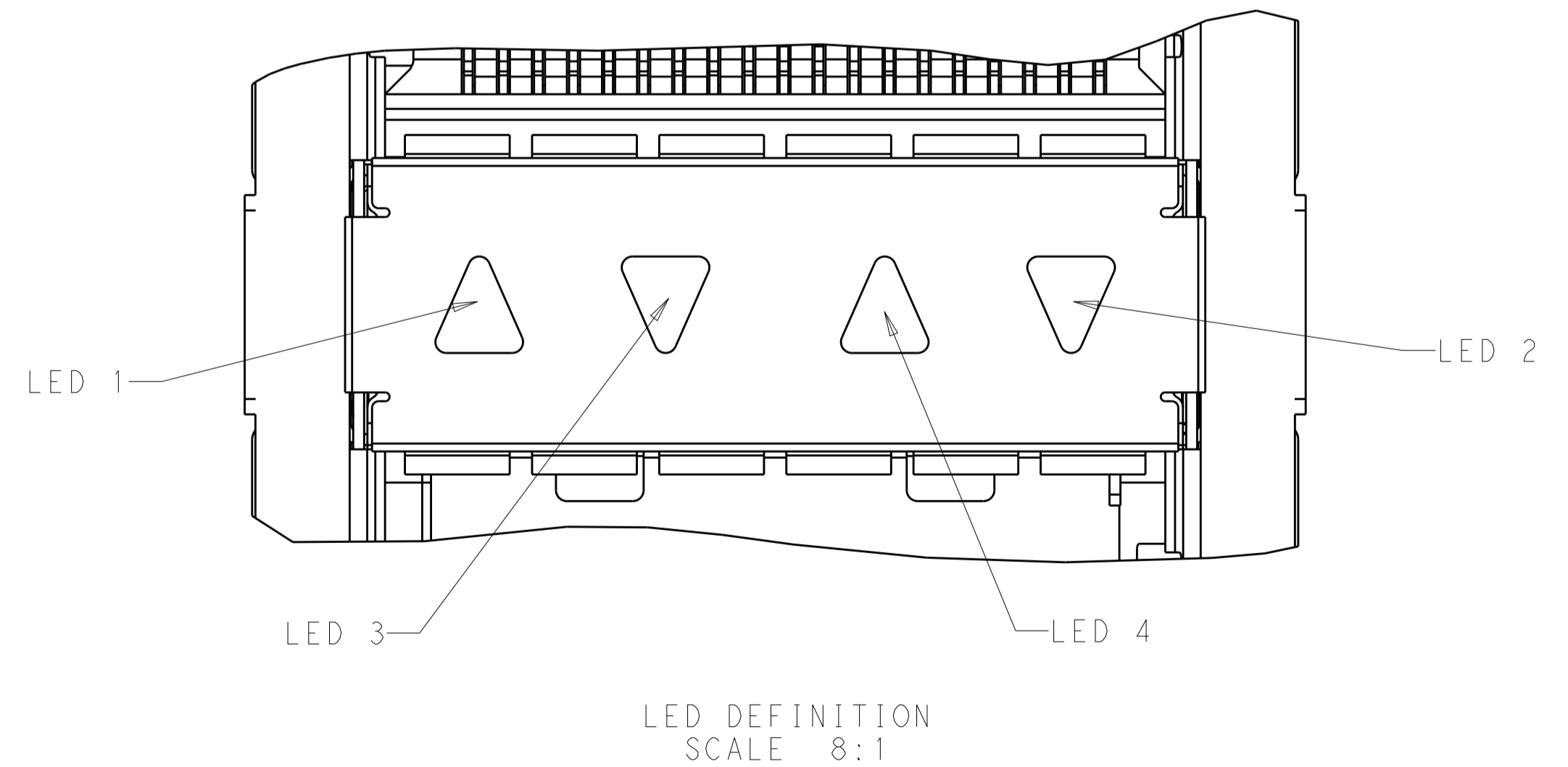
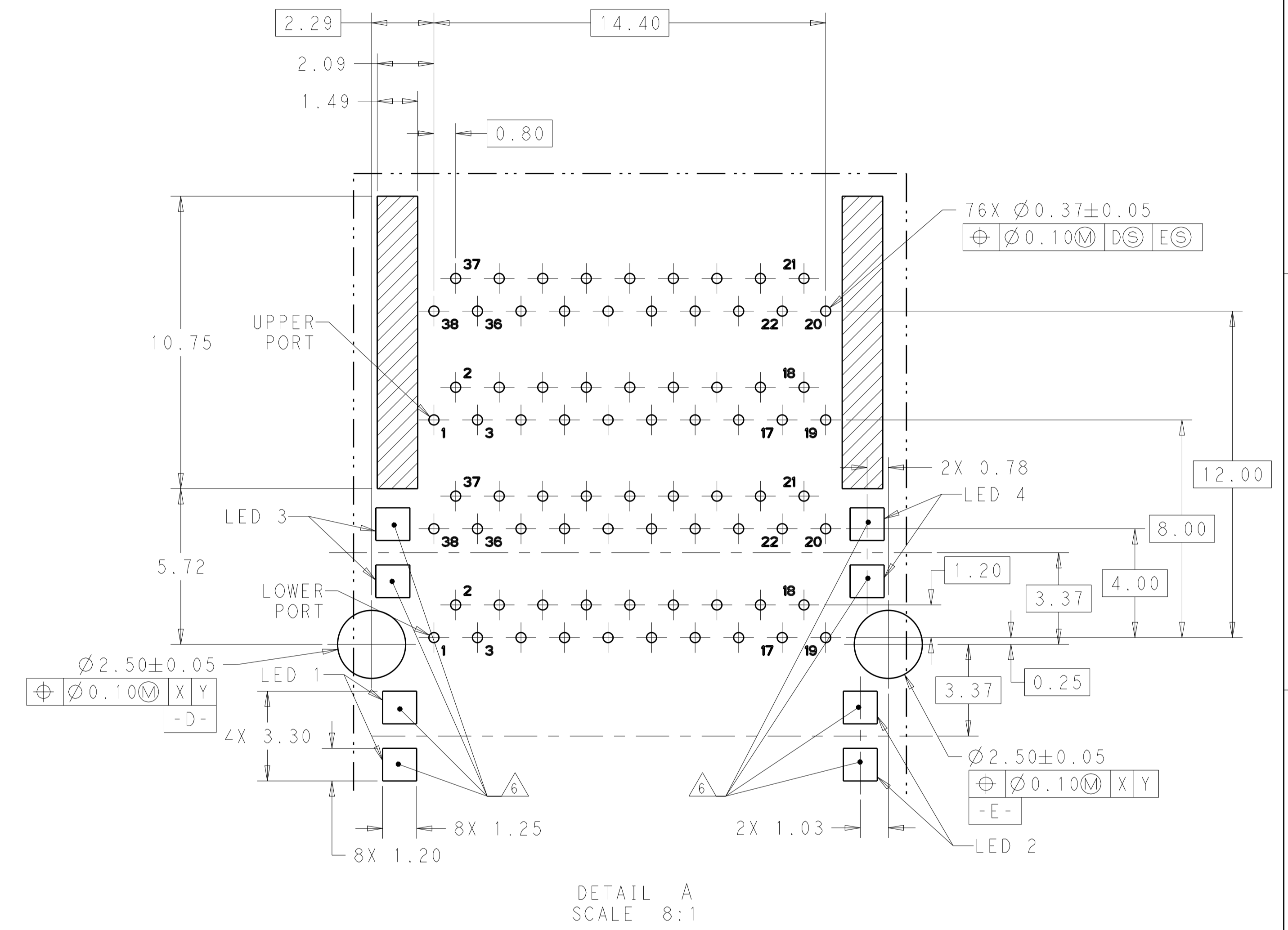
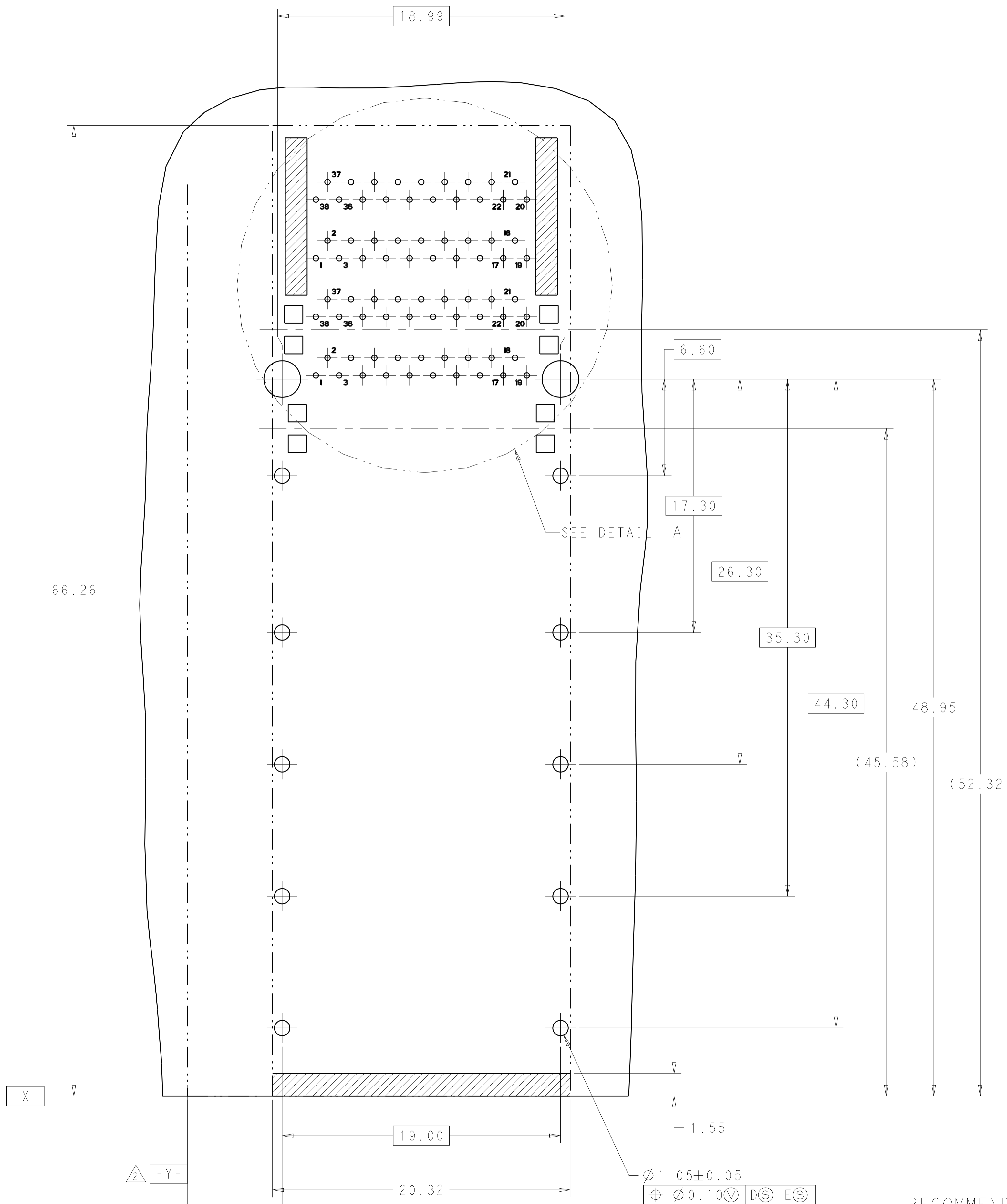
2085945-1 SHOWN
SCALE 4:1

- 1 MATERIALS:
 CAGE ASSEMBLY- NICKEL SILVER ALLOY PER ASTM B 122.
 BRACKET- STAINLESS STEEL.
 EMI GASKET- NICKEL-GRAPHITE FILLED SILICONE.
 HOUSING- BLACK LCP, UL 94V-0 RATED.
 CHICKLET- BLACK LCP, UL 94V-0 RATED.
 LIGHT PIPE- POLYCARBONATE, CLEAR, UL 94V-2 RATED.
 CONTACT- COPPER ALLOY.
- 2 DATUM AND BASIC DIMENSIONS ESTABLISHED BY CUSTOMER.
- 3. MINIMUM PCB THICKNESS OF 1.57mm.
- 4 CONTACT FINISH- CONFORMS TO THE REQUIREMENTS OF TE PRODUCT SPECIFICATION 108-127010, BASED ON EIA/ECA-364-1000.01A, (CONTROLLED ENVIRONMENT APPLICATIONS) ON MATING INTERFACE, TIN ON NEEDLE EYE.
- 5 THE ENTIRE AREA OF THE CONNECTOR FOOTPRINT, INDICATED BY THE DASHED LINE, TO BE CONSIDERED THE KEEPOUT AREA FOR COMPONENTS AND SIGNAL TRACES, TOP SIDE ONLY. TOP SIDE TRACES ALLOWED WITHIN CONNECTOR HOLE PATTERN.
- 6 LIGHT PIPE PAD LAYOUT IS FOR 0805 LOW PROFILE LED PACKAGE WITH A HEIGHT OF 0.8mm.

| DESCRIPTION | PART NUMBER |
|--|-------------|
| OUTER LIGHT PIPES WITH CUSTOMIZED GASKET | 2085945-8 |
| BOTH LIGHT PIPES | 2085945-7 |
| INNER LIGHT PIPES | 2085945-6 |
| OUTER LIGHT PIPES | 2085945-5 |
| NO LIGHT PIPES | 2085945-4 |
| BOTH LIGHT PIPES | 2085945-3 |
| INNER LIGHT PIPES | 2085945-2 |
| OUTER LIGHT PIPES | 2085945-1 |

| | | | | |
|--|--|-----------------------------|--|--|
| THIS DRAWING IS A CONTROLLED DOCUMENT. | | DMN: B. MCMASTER 08AUG11 | TE Connectivity | |
| DIMENSIONS: mm | | CHK: E. WICKES 08AUG11 | | |
| TOLERANCES UNLESS OTHERWISE SPECIFIED: | | APVD: E. WICKES 08AUG11 | NAME: CAGE AND PT CONNECTOR ASSEMBLY, WITH EMI GASKET, PRESS FIT, 2X1, STACKED QSFP+ | |
| 0 PLC ±.30 | | PRODUCT SPEC: 108-127010 | SIZE: CAGE CODE DRAWING NO. RESTRICTED TO | |
| 1 PLC ±0.25 | | APPLICATION SPEC: 114-32020 | A100779C=2085945 | |
| 2 PLC ±.15 | | WEIGHT: - | SCALE: 4:1 SHEET 1 OF 4 REV 11 | |
| 3 PLC ±.10 | | CUSTOMER DRAWING | | |
| 4 PLC ±.05 | | | | |
| ANGLES ±.5 | | | | |
| FINISH: - | | | | |

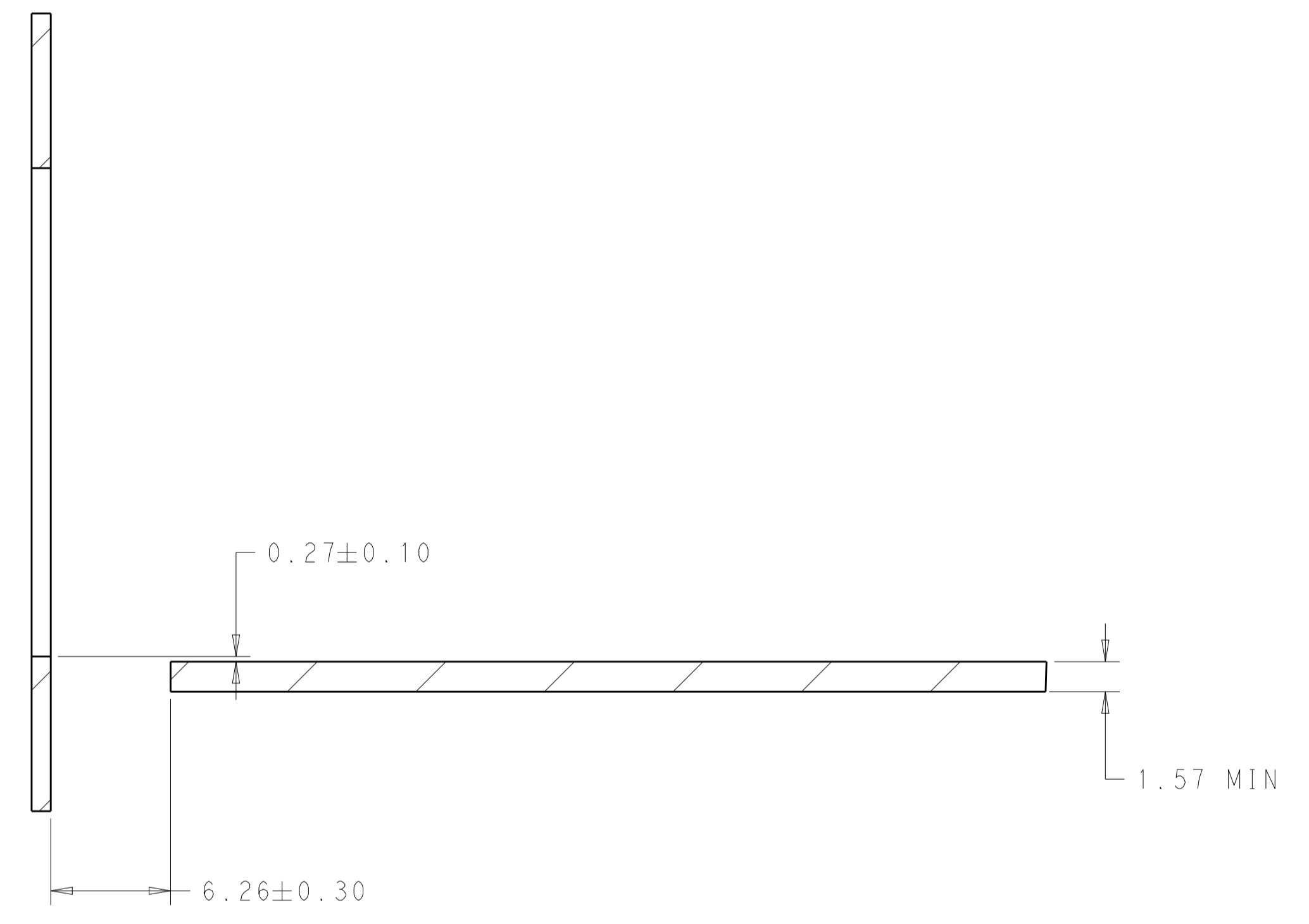
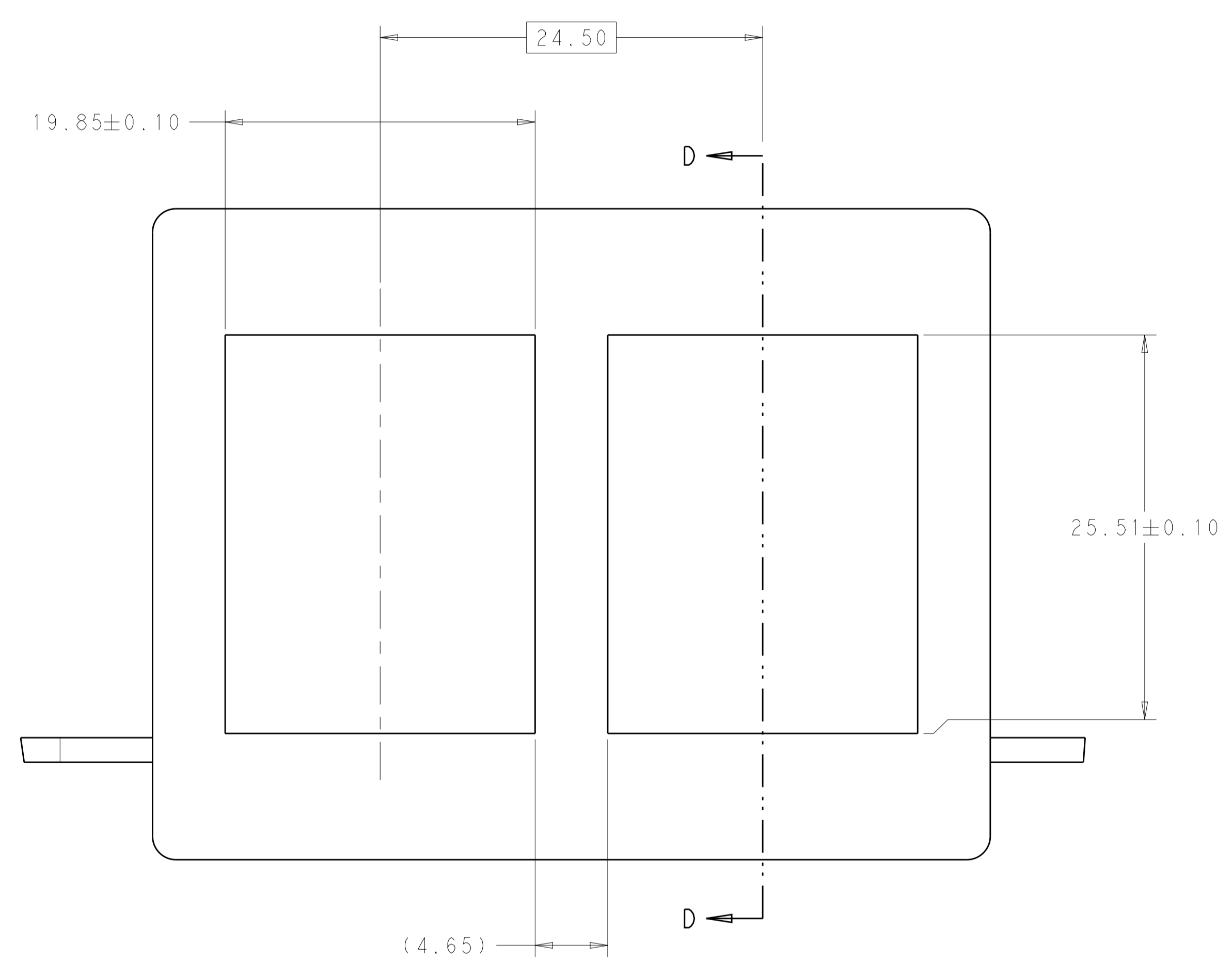
| LOC | | DIST | | REVISIONS | | | |
|-----|----|------|-----|-------------|------|-----|------|
| GP | 00 | P | LTN | DESCRIPTION | DATE | DMN | APVD |
| | | - | | SEE SHEET 1 | | | |



RECOMMENDED PCB LAYOUT COMPONENT SIDE OF BOARD SCALE 4:1

| | | | |
|--|-------------|--------------------------|--|
| THIS DRAWING IS A CONTROLLED DOCUMENT. | | OWN: B. MCMASTER 08AUG11 | TE Connectivity |
| DIMENSIONS: mm | | CHK: E. WICKES 08AUG11 | |
| TOLERANCES UNLESS OTHERWISE SPECIFIED: | | APVD: E. WICKES 08AUG11 | NAME: CAGE AND PT CONNECTOR ASSEMBLY, WITH EMI GASKET, PRESS FIT, 2X1, STACKED QSFP+ |
| 0 PLC ± | 1 PLC ±0.30 | PRODUCT SPEC | SIZE: CAGE CODE DRAWING NO. RESTRICTED TO |
| 2 PLC ±0.25 | 3 PLC ± | 108-127010 | A100779C=2085945 |
| 4 PLC ± | ANGLES ± | APPLICATION SPEC | SCALE 4:1 SHEET 2 OF 4 REV 11 |
| MATERIAL FINISH | WEIGHT | 114-32020 | CUSTOMER DRAWING |

| LOC | DIST | REVISIONS | | | | | |
|-----|------|-----------|-----|-------------|------|-----|------|
| | | P | LTN | DESCRIPTION | DATE | DWN | APVD |
| GP | 00 | - | - | SEE SHEET 1 | - | - | - |
| | | | | | | | |
| | | | | | | | |



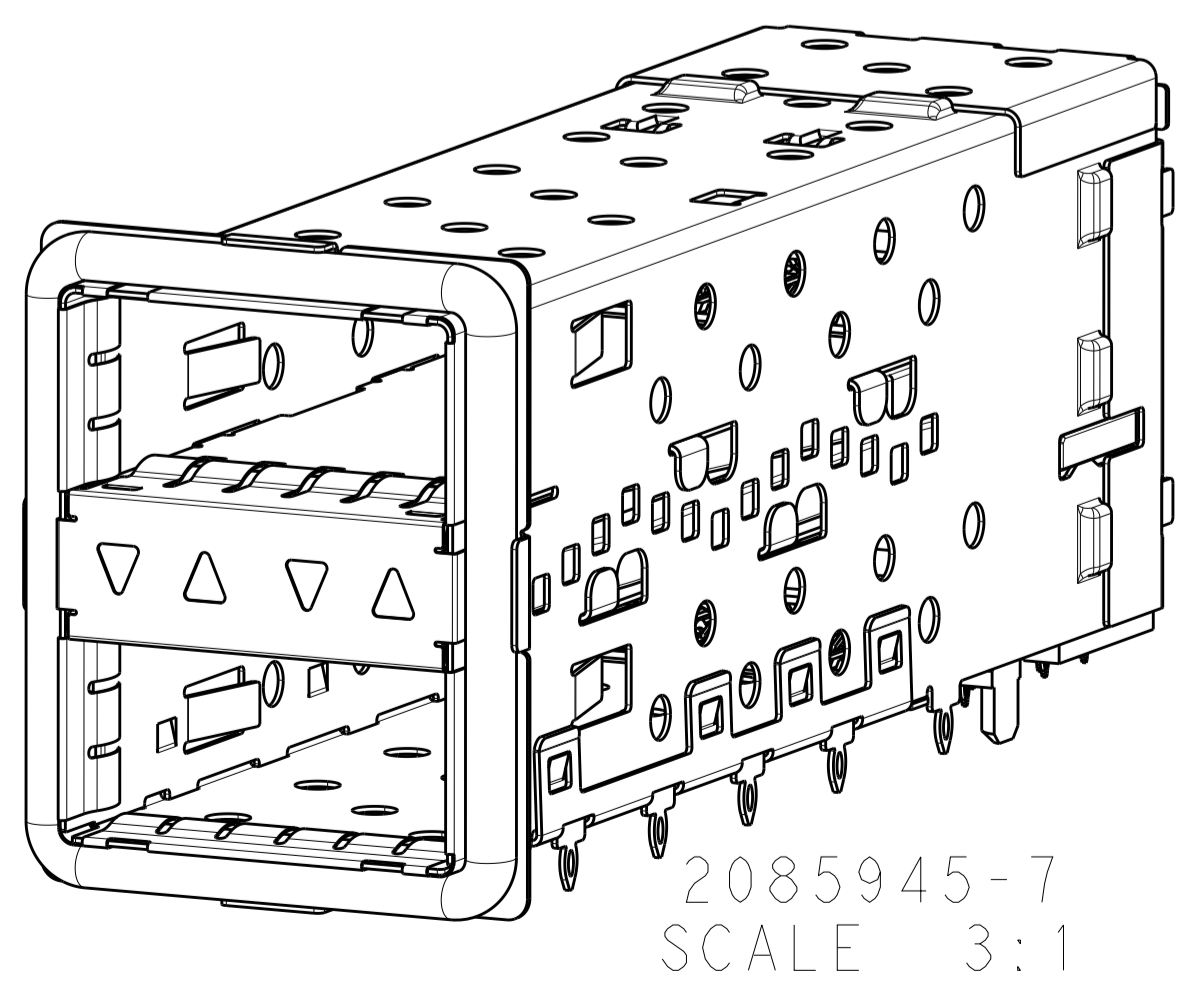
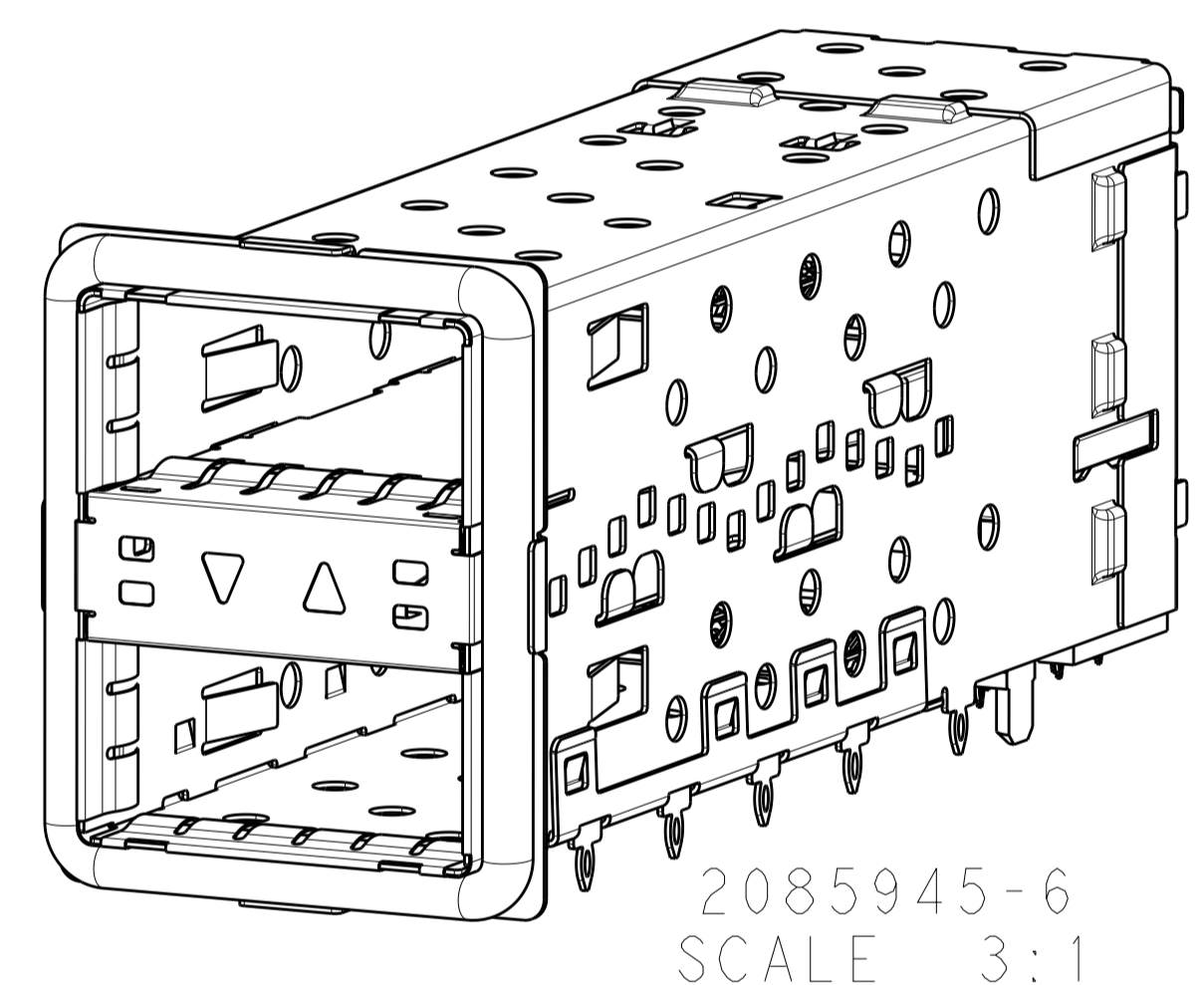
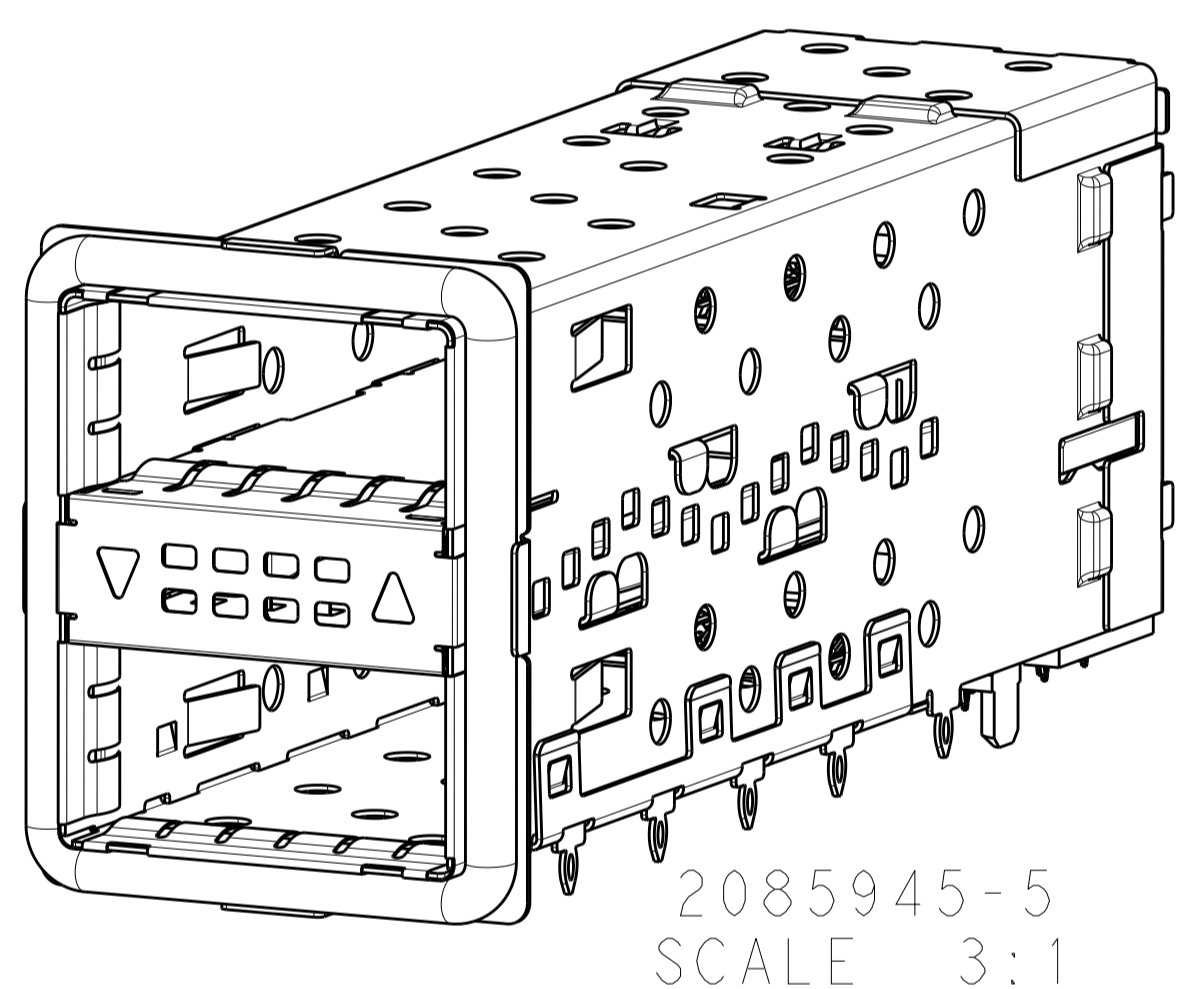
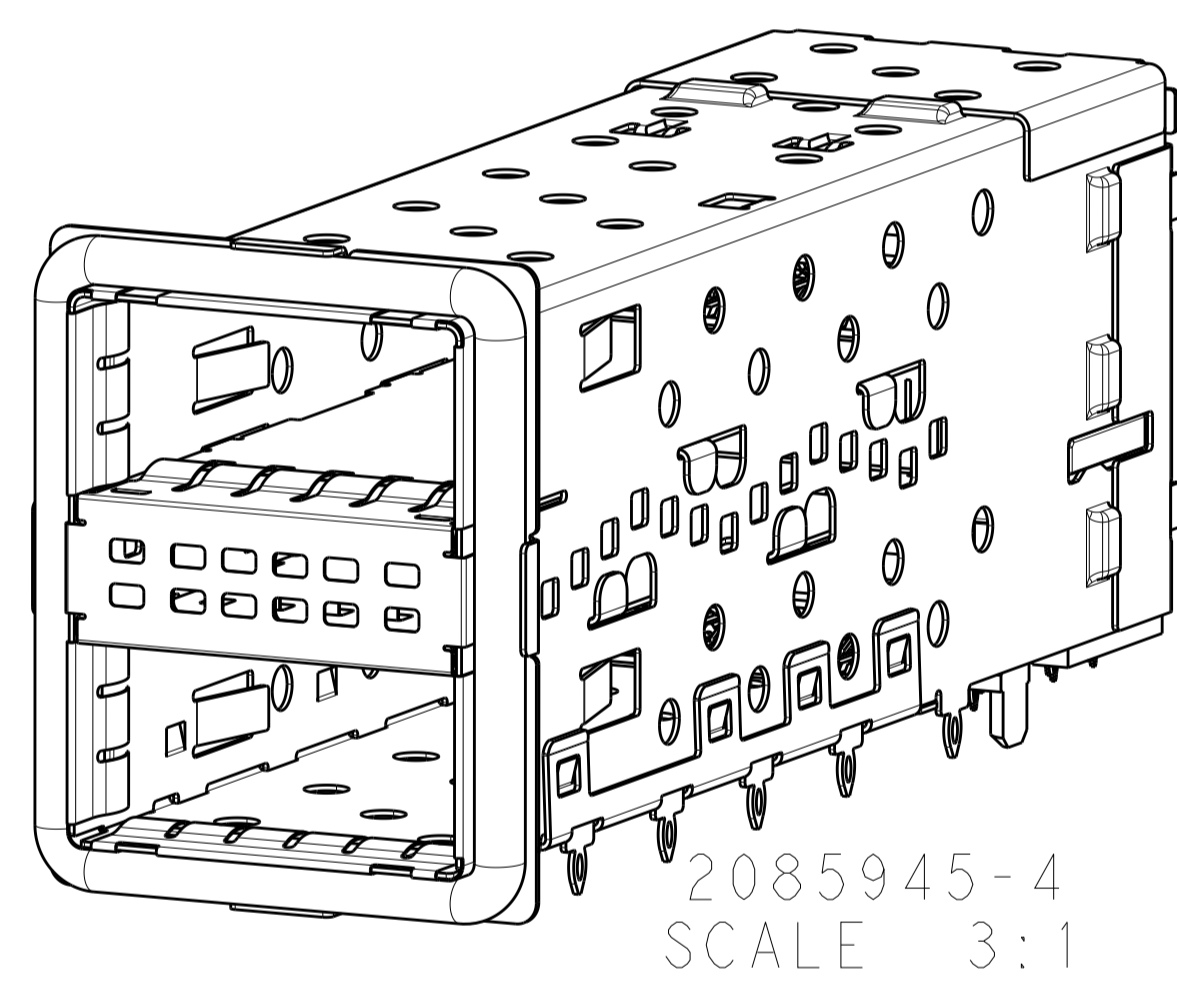
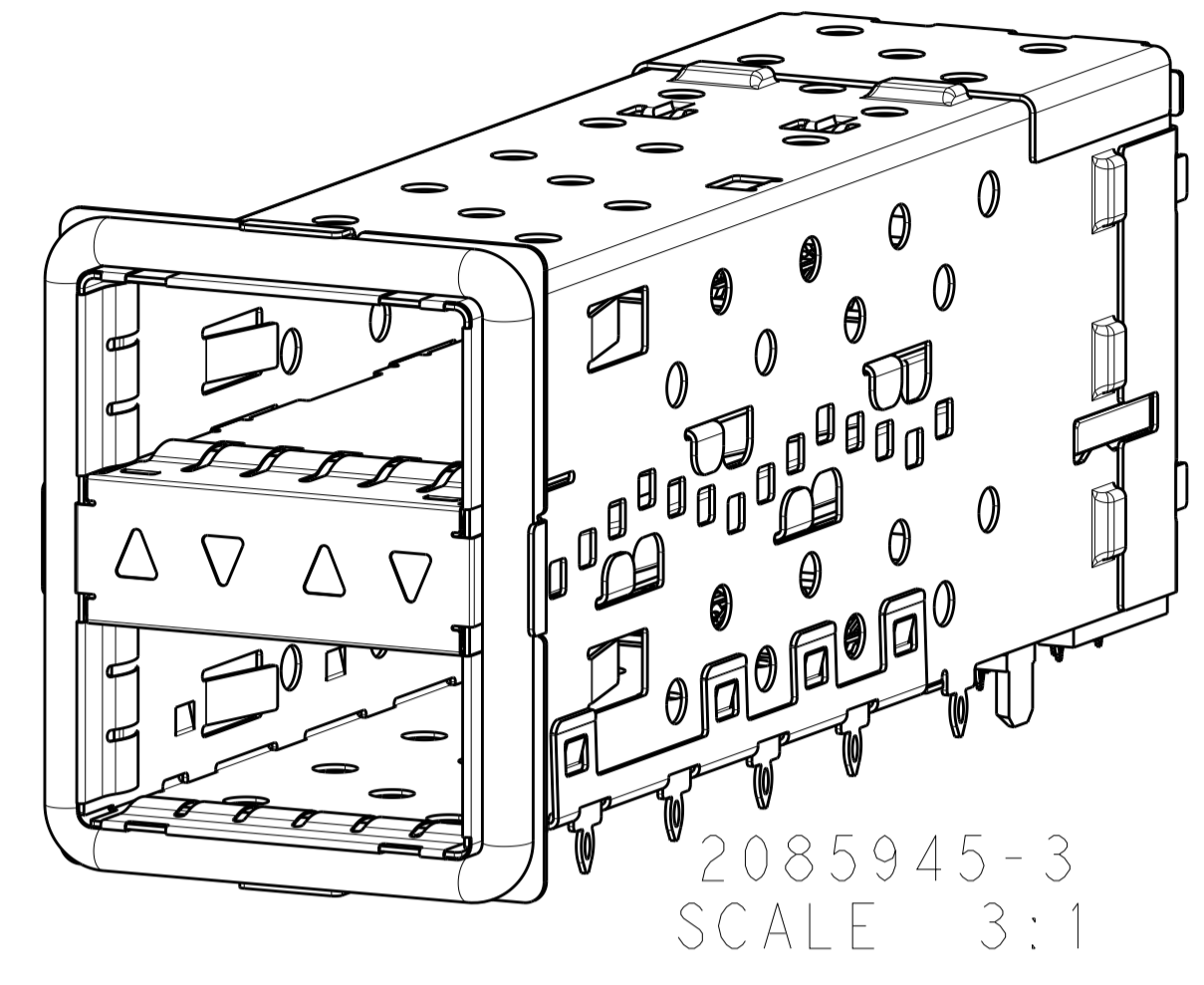
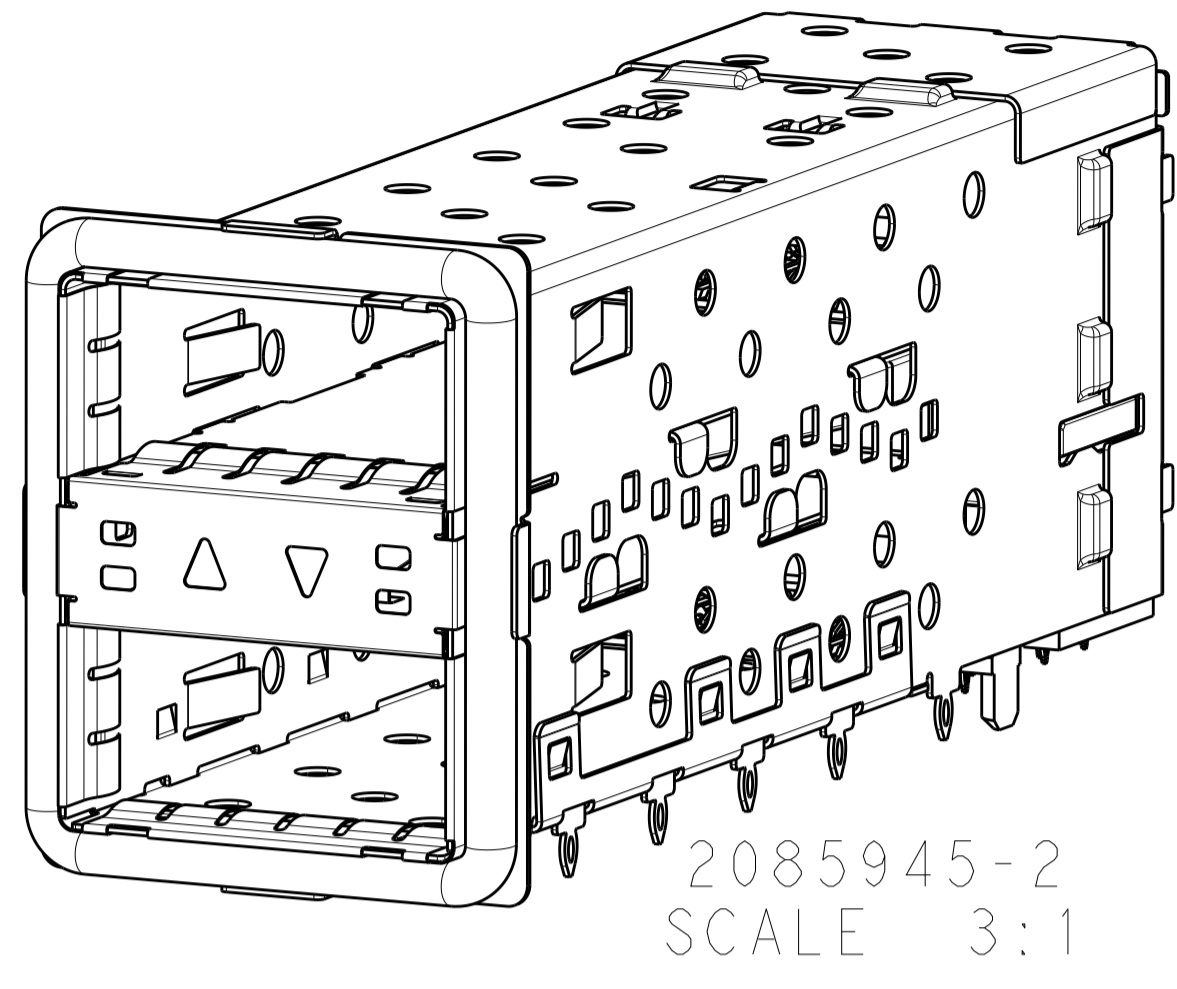
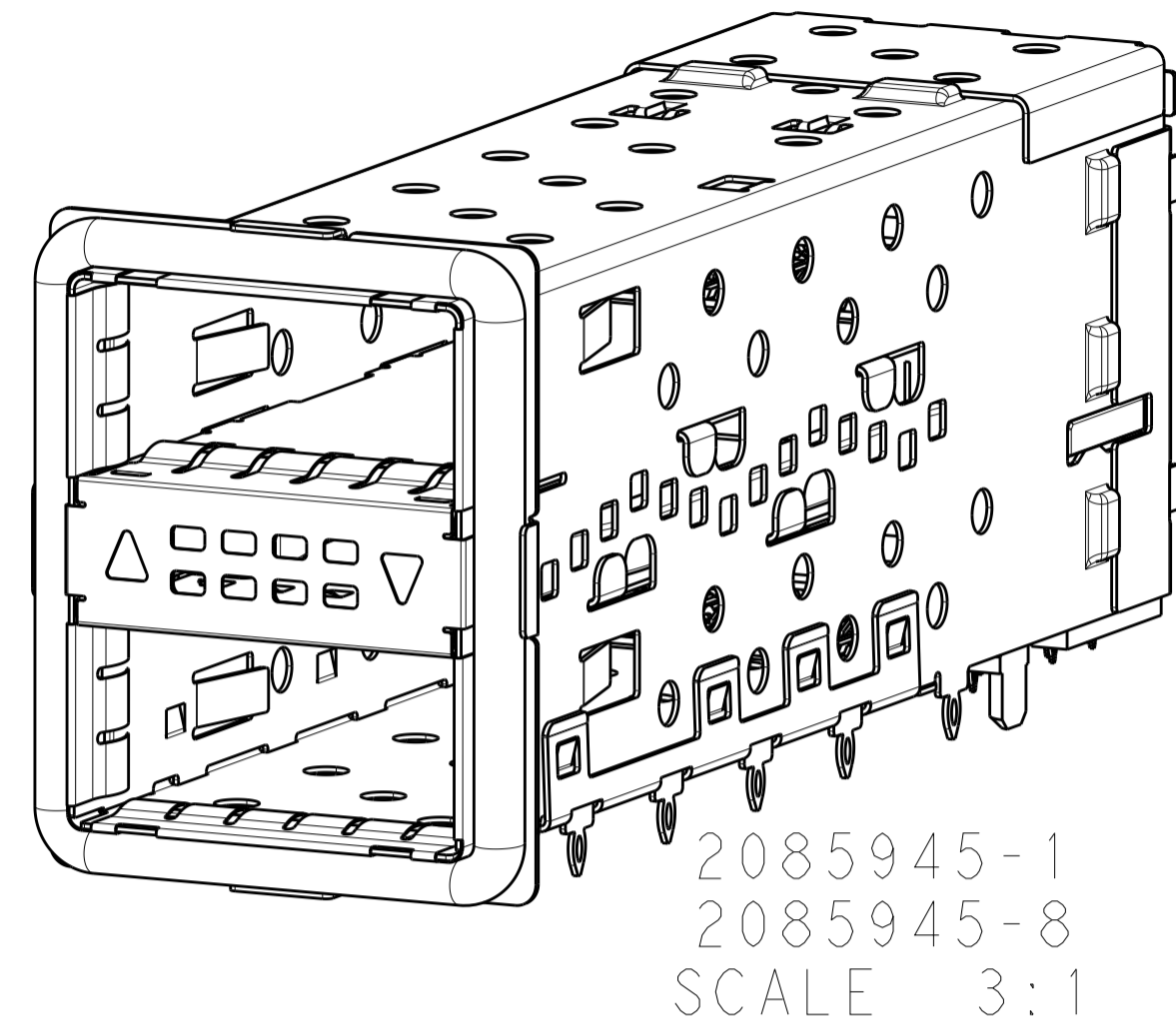
SECTION D-D

RECOMMENDED PANEL CUTOUT
 AND PC BOARD, PANEL POSITION
 SCALE 4:1

THIS PRINT IS
PRELIMINARY
 UNQUALIFIED PRODUCT
 CONTACT PRODUCT ENGINEERING
 BEFORE USING THIS PRINT

| | | | |
|---|---|----------------------------|--|
| THIS DRAWING IS A CONTROLLED DOCUMENT. | | DWN B. MCMASTER 08AUG11 | TE Connectivity |
| DIMENSIONS: | | CHK E. WICKES 08AUG11 | |
| mm | TOLERANCES UNLESS OTHERWISE SPECIFIED: | APVD E. WICKES 08AUG11 | NAME CAGE AND PT CONNECTOR ASSEMBLY, WITH EMI GASKET, PRESS FIT, 2X1, STACKED QSFP+ |
| 0 PLC ± 1 PLC ±0.30 2 PLC ±0.25 3 PLC ± 4 PLC ± ANGLES ± | PRODUCT SPEC 108-127010 APPLICATION SPEC 114-32020 | SIZE A100779C=2085945 | |
| MATERIAL | FINISH | WEIGHT | RESTRICTED TO |
| CUSTOMER DRAWING | | SCALE 4:1 | SHEET 3 OF 4 REV 11 |

| LOC | | DIST | | REVISIONS | | | |
|-----|----|------|-----|-------------|------|-----|------|
| GP | 00 | P | LYR | DESCRIPTION | DATE | DMN | APVD |
| | | - | | SEE SHEET 1 | | | |
| | | | | | | | |



| | | | |
|--|-------|-------------------------|--|
| THIS DRAWING IS A CONTROLLED DOCUMENT. | | DMN B. MCMASTER 08AUG11 | TE Connectivity NAME CAGE AND PT CONNECTOR ASSEMBLY, WITH EMI GASKET, PRESS FIT, 2X1, STACKED QSFP+ |
| DIMENSIONS: | | CHK E. WICKES 08AUG11 | |
| TOLERANCES UNLESS OTHERWISE SPECIFIED: | | APVD F. WICKES 08AUG11 | |
| mm | | PRODUCT SPEC | |
| 0 PLC | ± | 108-127010 | SIZE CAGE CODE DRAWING NO |
| 1 PLC | ±0.30 | APPLICATION SPEC | RESTRICTED TO |
| 2 PLC | ±0.25 | 114-32020 | A100779C=2085945 |
| 3 PLC | ± | WEIGHT | SCALE 4:1 SHEET 4 OF 4 REV 11 |
| 4 PLC | ± | CUSTOMER DRAWING | |
| ANGLES | ± | | |
| FINISH | ± | | |

X-ON Electronics

Largest Supplier of Electrical and Electronic Components

Click to view similar products for [I/O Connectors](#) category:

Click to view products by [TE Connectivity](#) manufacturer:

Other Similar products are found below :

[571763P](#) [58098-0628](#) [72.250.1628.2](#) [72.250.2428.2](#) [74720-0505](#) [76.350.0729.0](#) [76871-1403](#) [FCN-244F080-G/1](#) [FCN-260A9920](#) [PCR-E36PM](#) [PCS-XE26MA+](#) [G38A71314B](#) [1571250010](#) [157-22500-3](#) [MS3471L14-19P L/C](#) [172501-4002](#) [172501-6002](#) [FCN-260C008-A/L0](#) [FCN-260C024-AL0](#) [FCN-261Z008](#) [2000314-1](#) [200331-1](#) [PCR-E36FC+](#) [PCS-E28FS+](#) [PCS-XE26SLFD+](#) [PCS-XE26SLFDT+](#) [G730VID08BDC24](#) [U90B2054081210](#) [38113800006](#) [DP3AR020WQ1R200](#) [Z4.102.0680.0](#) [500-1040](#) [500-1052](#) [500-1054](#) [ZP-4008-66L](#) [0709821002](#) [DX40-20P\(55\)](#) [5554841-1](#) [MS3474W18-8P-LC*](#) [U90B3054061110](#) [U65-E04-4020](#) [ZPF000000000097891](#) [747360449](#) [10099439-003C-TRLF](#) [10137239-0021LF](#) [E9320-001-01](#) [10137239-0011LF](#) [70289-001LF](#) [70.060.1028.0](#) [109029-ZZ](#)