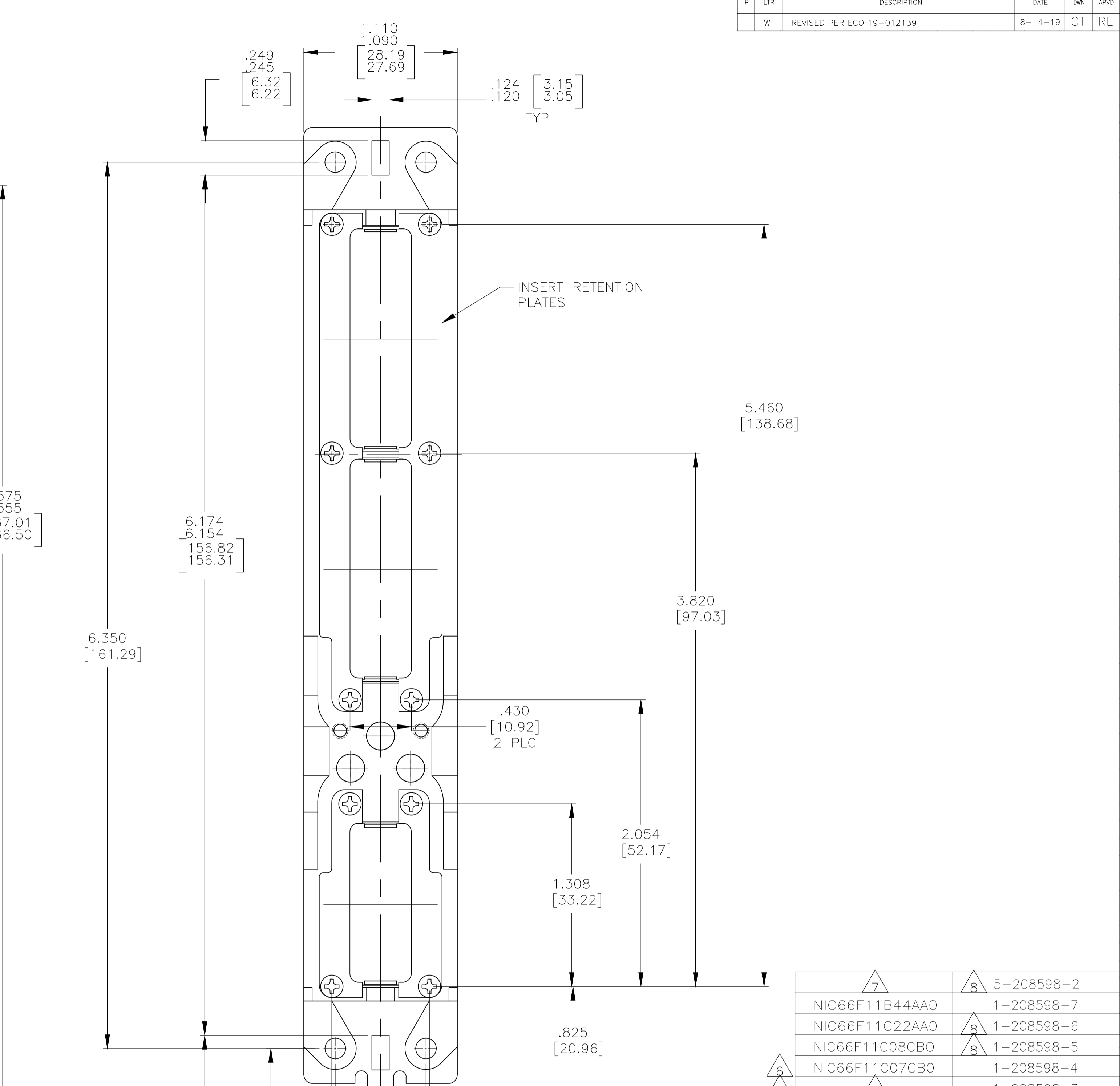
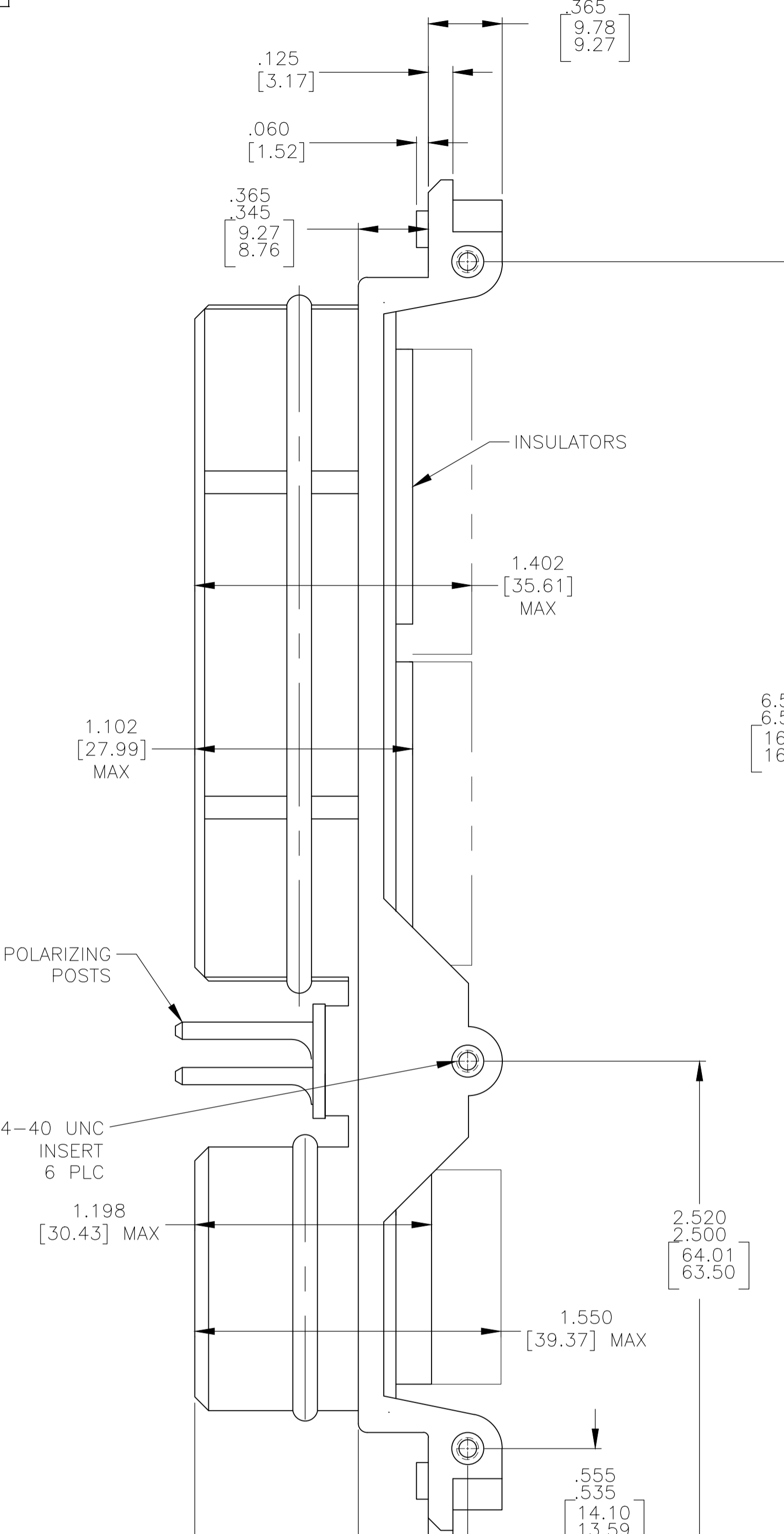
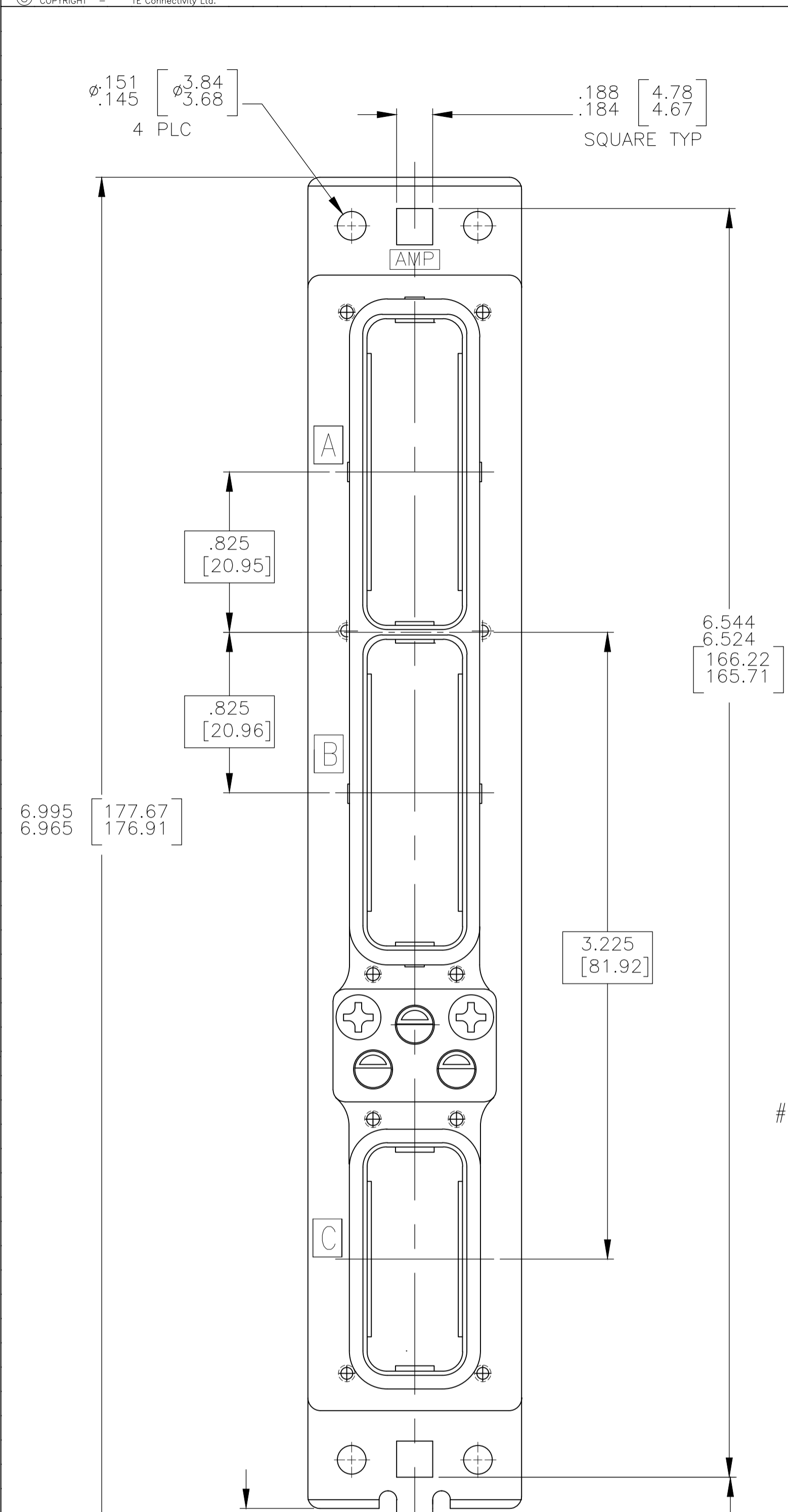


REVISIONS				
P	LTR	DESCRIPTION	DATE	APP'D
W		REVISED PER ECO 19-012139	8-14-19	CT RL



- CONNECTOR DIMENSIONS ARE PER ARINC 600 SPECIFICATION
  - KEYING SHOWN IN POSITION "01" FOR REFERENCE ONLY. CONNECTOR SHIPPED WITH KEYING PER ORDERING INSTRUCTIONS. FOR POSITION "00" KEYING SHIPPED UNASSEMBLED.
  - FOR SHIPMENT CONTACTS (IF ORDERED) ARE INCLUDED IN A CONTAINER WITHIN THE CONNECTOR PACKAGE. COAX CONTACTS ARE NOT SUPPLIED AND MUST BE ORDERED SEPARATELY.
- 4 SEE RESTRICTED CUSTOMER DRAWING 208598-7
  - 5 SPECIAL WITH INSERTS 60/OPEN/5C2, STANDARD MOUNTING, NO CONTACTS
  - 6 PRELIMINARY, NOT RELEASED FOR PRODUCTION
  - 7 FINISH OF SHELLS AND RETENTION PLATES IS ELECTROLESS NICKEL PER MIL-C-26074, CLASS 3 OR 4, GRADE B (5--2 ONLY)
  - 8 OBSOLETE PART NUMBER.

COMPONENT	MATERIAL	FINISH
SHELL	DIE CAST ALUMINUM PER ASTM-B-85	7 CHROMATE CONVERSION PER MIL-C-5541, TYPE II, CLASS 3
RETENTION PLATES	ALUMINUM ALLOY PER ASTM-B-209	7 CHROMATE CONVERSION PER MIL-C-5541, TYPE II, CLASS 3
SCREWS	STEEL OR STAINLESS STEEL	STAINLESS STEEL OR PASSIVATED
POLARIZING POSTS	ZINC ALLOY PER ASTM-B-86	ELECTROLESS NICKEL PER MIL-C-26074, CLASS 4, GRADE B
INSERTS	THERMOSET	-
FILLER PLUG (IF ORDERED)	TEFLON	-
POLARIZING POST RETAINING PLATE	ALUMINUM ALLOY PER ASTM-B-209	BLUE ANODIZED PER MIL-A-8625

THIS DRAWING IS A CONTROLLED DOCUMENT.

DIMENSIONS: INCHES. TOLERANCES UNLESS OTHERWISE SPECIFIED:

0 PLC	± .005
1 PLC	± .005
2 PLC	± .005
3 PLC	± .005 [0.13]
4 PLC	± .005

ANGLES: ± 0°30'

MATERIAL: SEE TABLE. FINISH: SEE TABLE.

THIS DRAWING IS A CONTROLLED DOCUMENT. C.C.THOMAS 11-20-04. 4-11-05. R. GROSS 4-11-05. NAME: PLUG ASSY, SIZE 1, SEALED CLASS B, PLUG, ARINC 600. SIZE: A1. CASE CODE: 00779. DRAWING NO: 208598. WEIGHT: -. RESTRICTED TO: -. CUSTOMER DRAWING. SCALE: 2:1. SHEET: 1 OF 1. REV: W.

DESCRIPTIVE NUMBER	PART NUMBER
7	5-208598-2
NIC66F11B44AA0	1-208598-7
NIC66F11C22AA0	1-208598-6
NIC66F11C08CBO	1-208598-5
NIC66F11C07CBO	1-208598-4
5	1-208598-3
NIC66F11C00AA1	1-208598-2
SPECIAL	1-208598-1
SPECIAL	208598-0
SPECIAL	208598-9
SPECIAL	208598-8
4	208598-7
SPECIAL	208598-6
SPECIAL	208598-5
NIC66F11B22AA1	208598-4
NIC66F11C01AA1	208598-3
NIC66F11B01AA1	208598-2
NIC66F11B01AA0	208598-1

## X-ON Electronics

Largest Supplier of Electrical and Electronic Components

*Click to view similar products for [Rack & Panel Connectors](#) category:*

*Click to view products by [TE Connectivity](#) manufacturer:*

Other Similar products are found below :

[00170420102](#) [00171420202](#) [00171440002](#) [008026165000265](#) [02-014-013-5200-000](#) [613467-000](#) [CTJ112E01E-513](#) [CTJ116E03A-513](#)  
[M81714/63-22S L/C](#) [M81714/65-12-1](#) [66020-2](#) [CW8958-000](#) [699886-000](#) [D250-50632](#) [70.400.3240.0](#) [70.955.2453.3](#) [733753-000](#) [F22831-000](#) [780-522-DPX34RG8-02](#) [MMA25-0341D1](#) [8660-501](#) [87.060.0053.0](#) [900709N001](#) [QRP4-12P-C\(01\)](#) [QR/P6-6S-C\(01\)](#) [1218600-1](#) [D-659-0061](#) [DMC-MD 24 C-T](#) [1-445717-6](#) [1484398-2](#) [1484399-2](#) [1484469-2](#) [MR-34MG](#) [1604997-2](#) [1663130-1](#) [1663767-7](#) [1663767-8](#) [MTC100-BF1-P31CS015](#) [MTC100-KT2-0083](#) [MTC100-KT2-0123-003](#) [MTC100-YA1-005](#) [MTCB1X-105-XXX](#) [MTCQKT1R2PGCA](#) [MTCR-103-04S](#) [MTCX1X-100-100CS025](#) [1738331-1](#) [1757667-1](#) [1883433-1](#) [1996636-1](#) [201784-4](#)