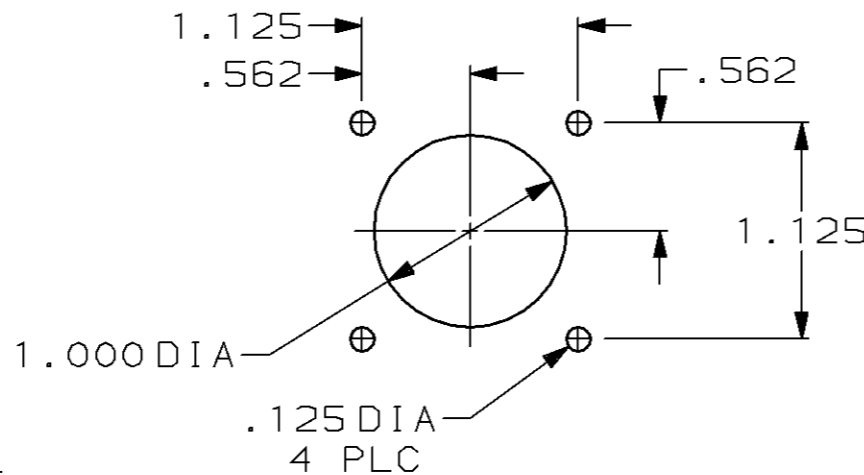
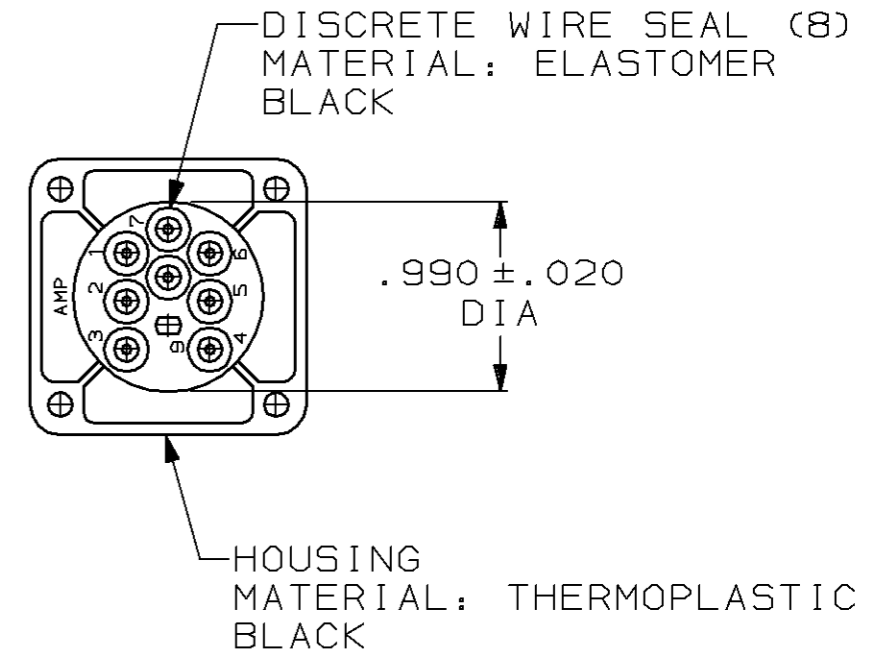
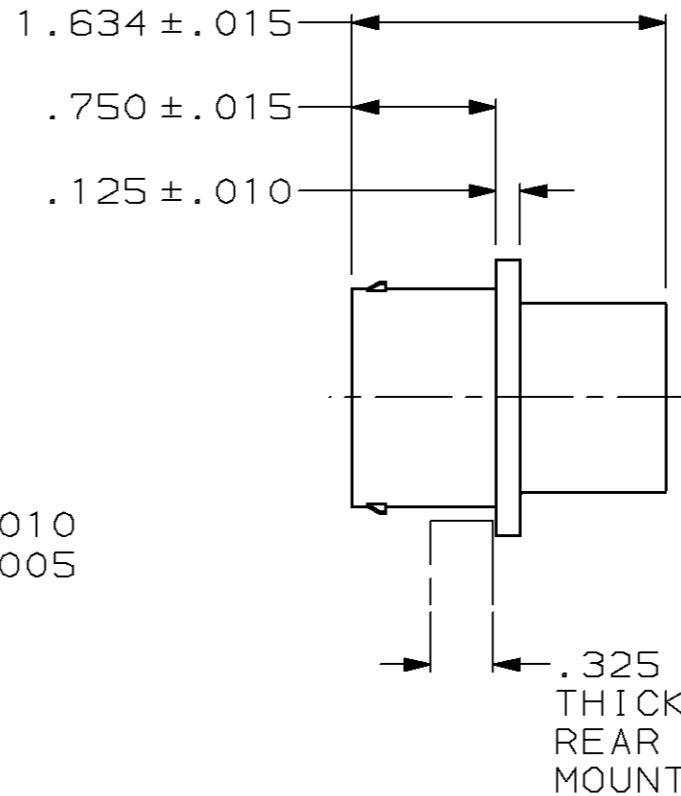
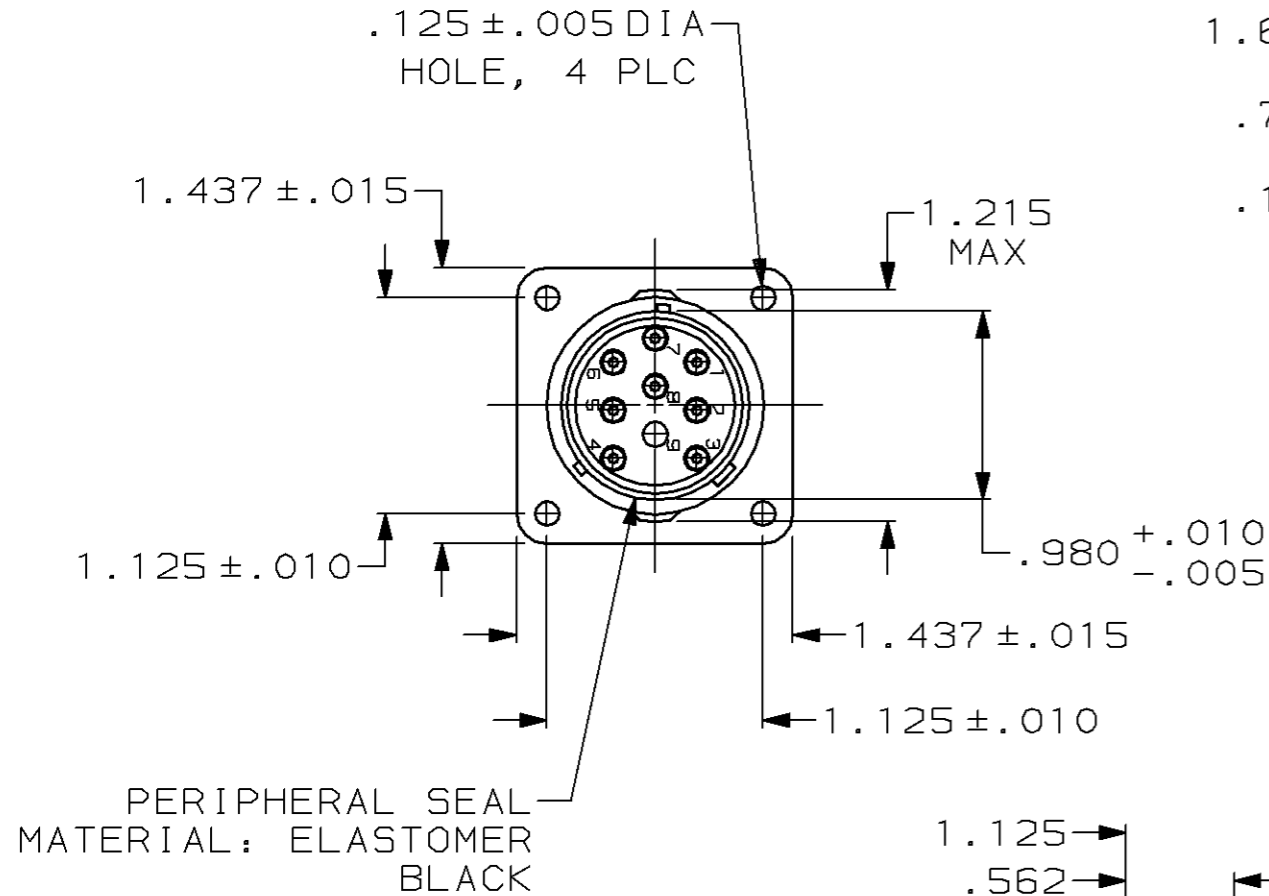


THIS DRAWING IS UNPUBLISHED. RELEASED FOR PUBLICATION, 19 .
© COPYRIGHT 19 BY AMP INCORPORATED. ALL INTERNATIONAL RIGHTS RESERVED.

LOC: BD DIST: 39

P		F		REVISIONS		
ZONE	LTR	DESCRIPTION	DATE	APPD		
	D	REDRAWN AND REV PER ECN BD4183	8-10-90	KB		
	E	REV PER ECN BD5258	08/13/91	KB		
	F	REV PER EC 0020-654-95	06/22/95	GS		
	G	REV PER EC 0020-0949-95	23 AUG 95	GS		



1. WIRE INSULATION SEALING RANGE .070-.115 DIA.
2. MATES WITH 208678-1.
3. TOTAL LENGTH OF MATED CONNECTORS IS LESS THAN 2.50 INCHES.
4. THIN MEMBRANE PERMISSIBLE ON SMALL DIAMETER OF WIRE SEALS.
5. ROTATION OF CAVITY CIRCUIT KEY FROM PART TO PART IS PERMISSIBLE.

RECOMMENDED PANEL CUTOUT

208677-1
PART NUMBER

DO NOT SCALE PRINT. UNLESS SPECIFIED DIMENSIONS IN INCHES TOLERANCES ON: 2 PLC DEC ± - 3 PLC DEC ± .005 ANGLES ± -	DR 8-10-90 J. GALLUCCI BG	AMP AMP INCORPORATED Harrisburg, Pa. 17105	
	CHK 1-4-91 J. McCLINTON		
	APPD 1-18-91 K. BEAVER	NAME ECONOSEAL, SQUARE FLANGE RECEPTACLE, SHELL SIZE 17, 8 POSN, PIN CONTACTS	
	APPD 1-29-91 J. FULPONI	SIZE B FSCM NO 00779 DRAWING NO 208677	
MATERIAL SEE CALLOUT	PRODUCT SPEC -	SCALE 1:1	SHEET 1 OF 1
FINISH -	APPLICATION SPEC -		
WEIGHT -			

X-ON Electronics

Largest Supplier of Electrical and Electronic Components

Click to view similar products for [Automotive Connectors](#) category:

Click to view products by [TE Connectivity](#) manufacturer:

Other Similar products are found below :

[003-018-000](#) [600858](#) [60403001](#) [60993906-B](#) [60993913-B](#) [629515004020001](#) [M83723/71R1808N L/C](#) [M902-2131](#) [M902-2161](#) [M902-2344](#)
[72.330.1035.1](#) [73.353.4028.0](#) [F118010](#) [F119300-B](#) [F132210](#) [F166900](#) [F180100](#) [F258300](#) [F258300-B](#) [F294300-B](#) [F339100](#) [F339700](#)
[F358300-B](#) [F374110](#) [F407400](#) [F412210](#) [F444110](#) [F487000](#) [F495100](#) [F500900-B](#) [F509500B-B](#) [770444-1](#) [827153-1](#) [881735-1](#)
[8N1515-32-24P](#) [9-1326729-8](#) [925467-1](#) [925474-1](#) [928905-1](#) [936398-2](#) [964562-4](#) [964731-2](#) [968782-1](#) [GT17SA-8DS-HU](#) [GT17VS-10DP-](#)
[5.2CF](#) [98315-0001](#) [98315-0010](#) [98891-1012](#) [98895-2014](#) [98936-1039](#)