

4

3

2

1

THIS DRAWING IS UNPUBLISHED.

RELEASED FOR PUBLICATION

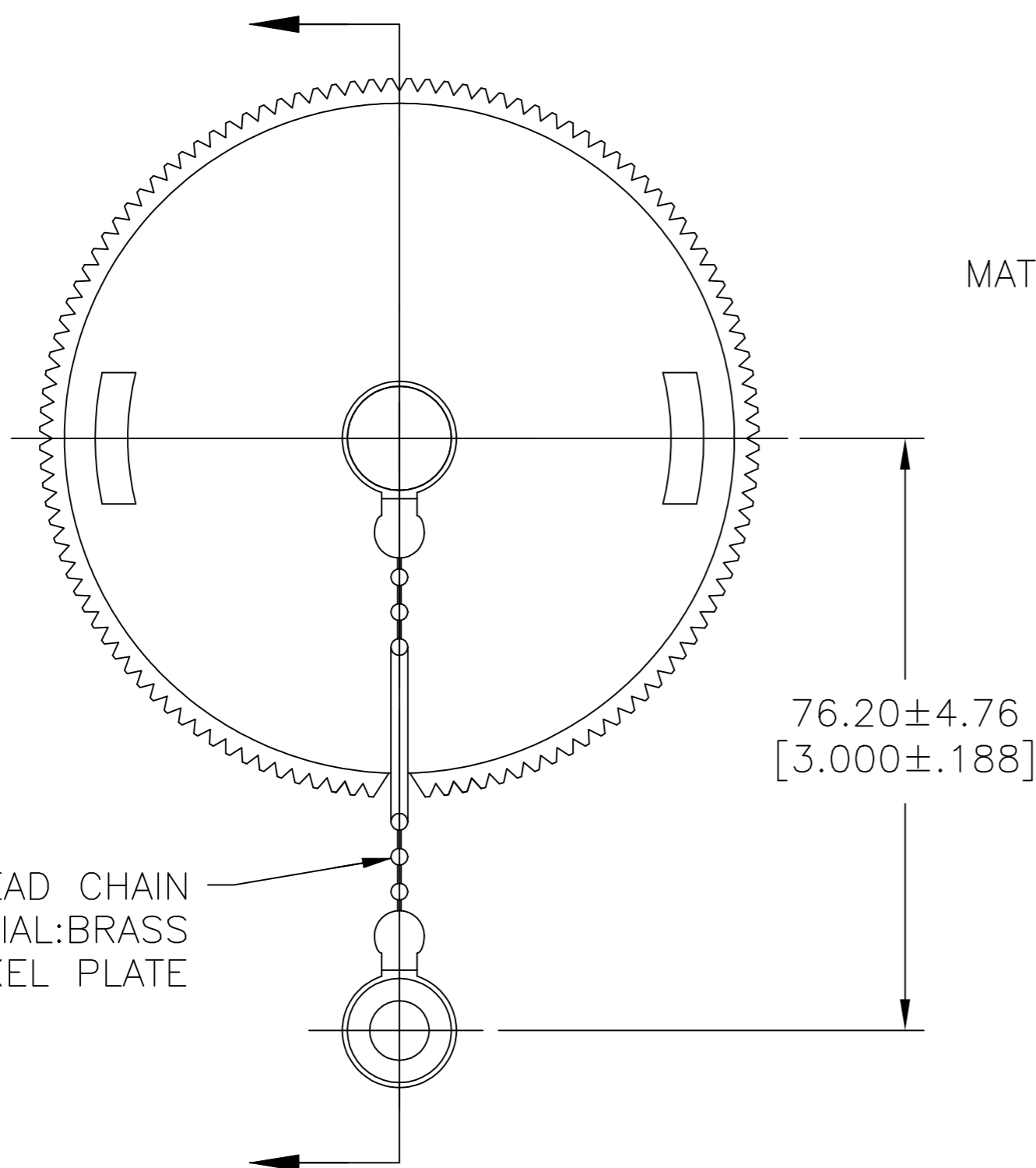
-, -

© COPYRIGHT - TE Connectivity Ltd.

ALL RIGHTS RESERVED.

REVISIONS

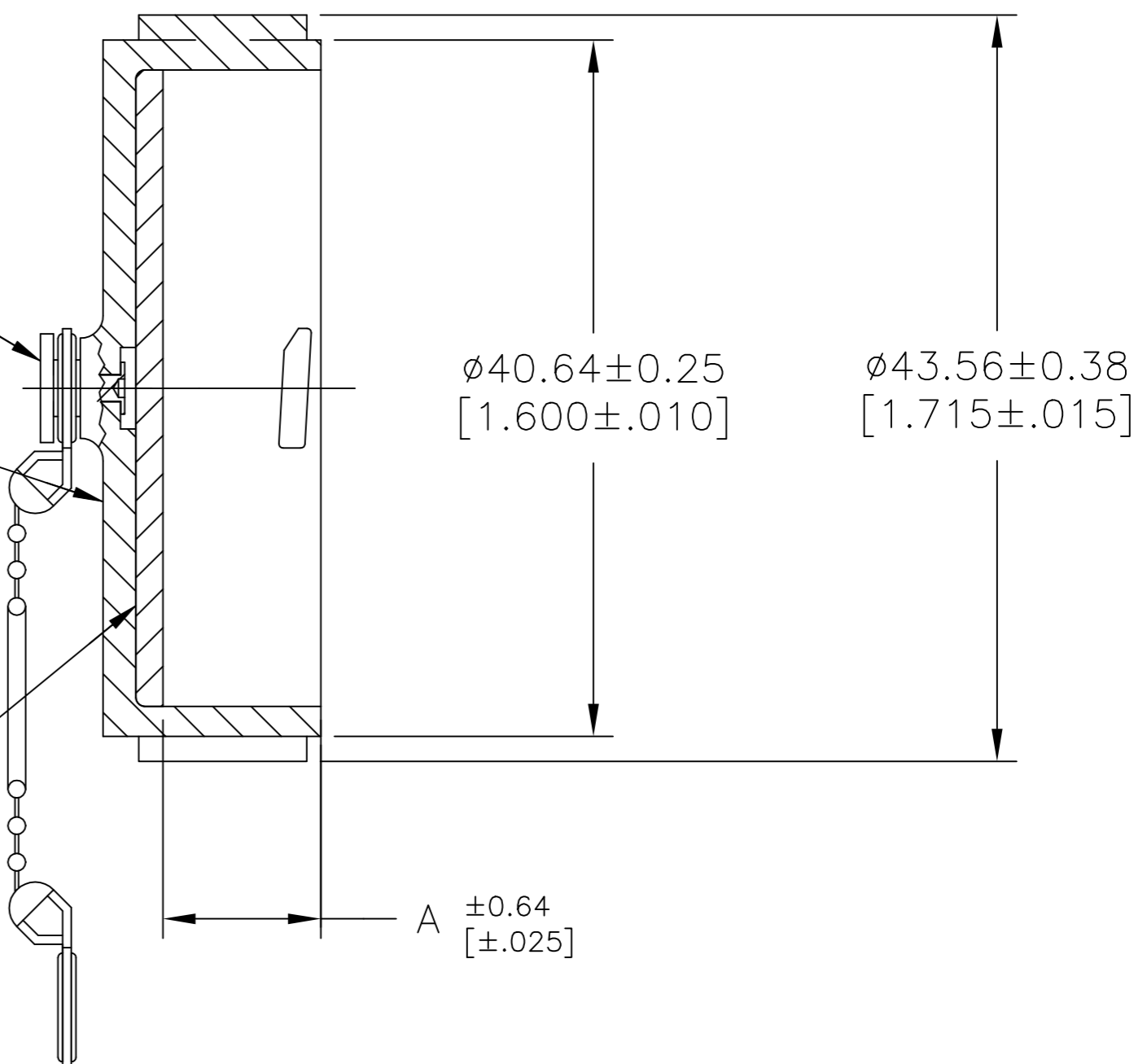
P	LTR	DESCRIPTION	DATE	DWN	APVD
C		REDRAWN & REV PER EC 0020-680-93	6-10-93	-	AF
D		REVISED PER ECO-19-001991	08FEB2019	RS	MZ



RIVET
MATERIAL:CARBON STEEL
FINISH:ZINC PLATE
W/CLEAR CHROMATE

SEALING CAP
MATERIAL:THERMOPLASTIC
COLOR:BLACK

SEALING GASKET
MATERIAL:ELASTOMER
COLOR:BLACK



6.05[.238]	208680-2
9.22[.363]	208680-1
A	PART NUMBER

THIS DRAWING IS A CONTROLLED DOCUMENT.		DWN D.BROCKWAY 6-10-93	TE TE Connectivity	
		CHK R.STONE 7-1-93		
DIMENSIONS: mm [INCHES]	TOLERANCES UNLESS OTHERWISE SPECIFIED:	APVD AL FRANTUM 7-1-93	NAME SEALING CAP ASSY, SIZE 23, WITH BEAD CHAIN, CPC	
	0 PLC ± -	PRODUCT SPEC	RESTRICTED TO	
	1 PLC ± -	APPLICATION SPEC	-	
	2 PLC ± 0.13[.005]	WEIGHT	SIZE A3	CAGE CODE 00779
	3 PLC ± -		DRAWING NO C=208680	
	4 PLC ± -			
	ANGLES ± -			
MATERIAL SEE CALLOUTS	FINISH SEE CALLOUTS	CUSTOMER DRAWING	SCALE 2:1	SHEET 1 OF 1
				REV D

X-ON Electronics

Largest Supplier of Electrical and Electronic Components

Click to view similar products for [Standard Circular Connector](#) category:

Click to view products by [TE Connectivity](#) manufacturer:

Other Similar products are found below :

[5M2530B10P](#) [600259N006](#) [600273N007](#) [6134-336-13149](#) [6134-337-11149](#) [6134-337-2390](#) [6134-341-17149](#) [6280-4SG-516](#) [6280-7SG-3DC](#)
[6290](#) [6291A](#) [66200A-10](#) [680-SMG](#) [681-PMG](#) [CXS3102A14S2P](#) [CXS3102A181S](#) [7271-6SG-300](#) [7282-3PG-300-CH3](#) [75-474618-01S](#) [75-](#)
[474618-04P](#) [75-474618-04S](#) [799539-000](#) [MI8-SE](#) [805-005-07NF11-19PC](#) [805-005-07NF15-7PA](#) [8280-4PG-516](#) [8280-7PG-519](#) [8282-5PG-](#)
[519](#) [836783-1](#) [MP-4102-25P-C](#) [862256-1](#) [864019-2](#) [866857-1](#) [867865-1](#) [PT01SP-14-18P](#) [PT08P-14-5S](#) [120-1833-000](#)
[QCM019PC2DC012B](#) [1-2069279-1](#) [121583-0217](#) [121667-0020](#) [129591AU](#) [1000B BULK](#) [RD10A16-19-P6CS051/1](#) [RD10A20-31-](#)
[P8CS051/1](#) [RD16A14-12-S6CS051/2](#) [1301240290](#) [1301240347](#) [1301860202](#) [1301240268](#) [1301240275](#)