

THIS DRAWING IS UNPUBLISHED.

RELEASED FOR PUBLICATION

ALL RIGHTS RESERVED.

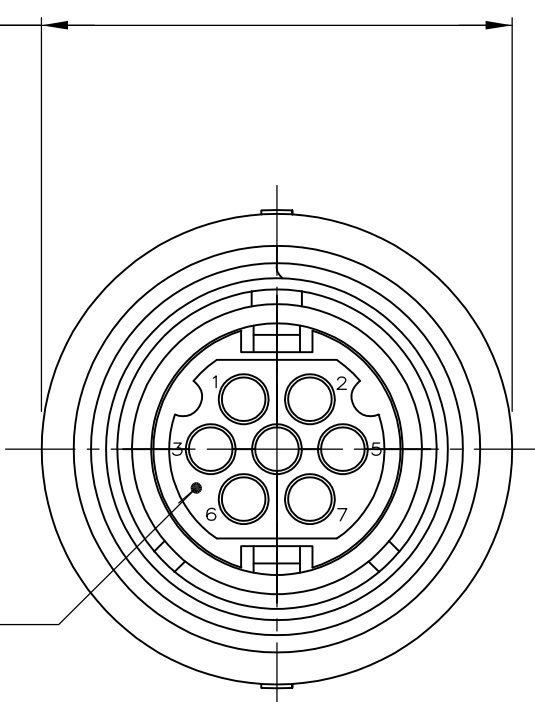
© COPYRIGHT - By -

REVISIONS

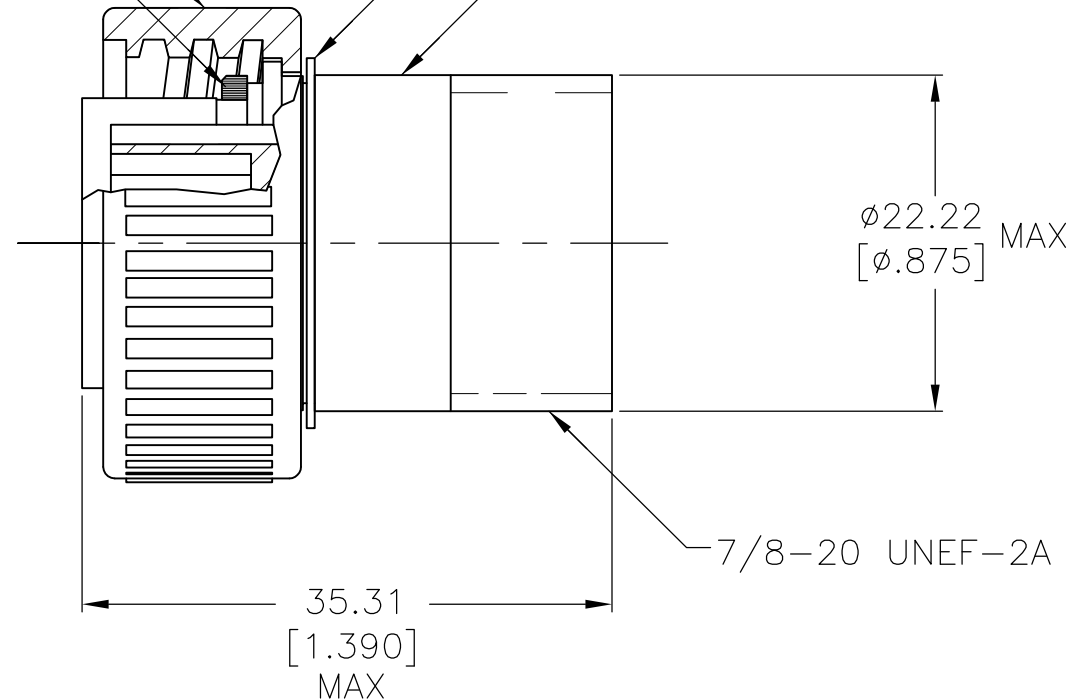
P	LTR	DESCRIPTION	DATE	DWN	APVD
J1		REVISED PER ECO-16-004800	10SEP2016	NK	MZ

ø31.12±0.38
[ø1.225±.015]

PIN HOUSING



COUPLING RING
SEAL
SEE TABLE
RETAINER RING
PLUG SHELL



- 1 THIS CONNECTOR ACCEPTS SEVEN (7) SIZE 16 MULTIMATE PIN CONTACTS, MAXIMUM WIRE INSULATION DIA = 2.67 [.105].
- 2 THIS CONNECTOR MATES WITH AMP P/N 208717-1.
- 3 AMP P/N AND DATE CODE TO BE LOCATED ON COUPLING RING.
- 4 NICKEL PER QQ-N-290 OVER COPPER PER MIL-C-14550.
- 5 ZINC PER QQ-Z-363.

OBSOLETE	YES	208716-2
	NO	208716-1
	SEAL	PART NO.

THIS DRAWING IS A CONTROLLED DOCUMENT.		DWN D.HARDY 05/20/94	TE Connectivity PLUG ASSEMBLY, REVERSE SEX, SERIES 1, 14-7, CMC											
DIMENSIONS: INCHES		CHK R.STONE 05/26/94												
TOLERANCES UNLESS OTHERWISE SPECIFIED:		APVD A.FRANTUM 07/13/94												
<table border="1"> <tr><td>0 PLC</td><td>± -</td></tr> <tr><td>1 PLC</td><td>± -</td></tr> <tr><td>2 PLC</td><td>± -</td></tr> <tr><td>3 PLC</td><td>± -</td></tr> <tr><td>4 PLC</td><td>± -</td></tr> <tr><td>ANGLES</td><td>± -</td></tr> </table>		0 PLC				± -	1 PLC	± -	2 PLC	± -	3 PLC	± -	4 PLC	± -
0 PLC	± -													
1 PLC	± -													
2 PLC	± -													
3 PLC	± -													
4 PLC	± -													
ANGLES	± -													
MATERIAL PIN HSG: TERMOPLASTIC, BLACK SEAL: FLUOROCARBON ELASTOMER RTNR RING: STAINLESS STEEL CPLG RING: PLUG SHELL:		FINISH CPLG RING: PLUG SHELL:	PRODUCT SPEC	SIZE	CAGE CODE	DRAWING NO	RESTRICTED TO							
		APPLICATION SPEC	A3 00779		C-208716									
		WEIGHT	CUSTOMER DRAWING		SCALE	SHEET	REV							
					2:1	1 OF 1	J1							

X-ON Electronics

Largest Supplier of Electrical and Electronic Components

Click to view similar products for [Standard Circular Connector](#) category:

Click to view products by [TE Connectivity](#) manufacturer:

Other Similar products are found below :

[5M2530B10P](#) [600259N006](#) [600273N007](#) [6134-336-13149](#) [6134-337-11149](#) [6134-337-2390](#) [6134-341-17149](#) [6280-4SG-516](#) [6280-7SG-3DC](#)
[6290](#) [6291A](#) [66200A-10](#) [680-SMG](#) [681-PMG](#) [CXS3102A14S2P](#) [CXS3102A181S](#) [7271-6SG-300](#) [7282-3PG-300-CH3](#) [75-474618-01S](#) [75-](#)
[474618-04P](#) [75-474618-04S](#) [799539-000](#) [MI8-SE](#) [805-005-07NF11-19PC](#) [805-005-07NF15-7PA](#) [8280-4PG-516](#) [8280-7PG-519](#) [8282-5PG-](#)
[519](#) [836783-1](#) [MP-4102-25P-C](#) [862256-1](#) [864019-2](#) [866857-1](#) [867865-1](#) [PT01SP-14-18P](#) [PT08P-14-5S](#) [120-1833-000](#)
[QCM019PC2DC012B](#) [1-2069279-1](#) [121583-0217](#) [121667-0020](#) [129591AU](#) [1000B BULK](#) [RD10A16-19-P6CS051/1](#) [RD10A20-31-](#)
[P8CS051/1](#) [RD16A14-12-S6CS051/2](#) [1301240290](#) [1301240347](#) [1301860202](#) [1301240268](#) [1301240275](#)