

THIS DRAWING IS UNPUBLISHED.

RELEASED FOR PUBLICATION

ALL RIGHTS RESERVED.

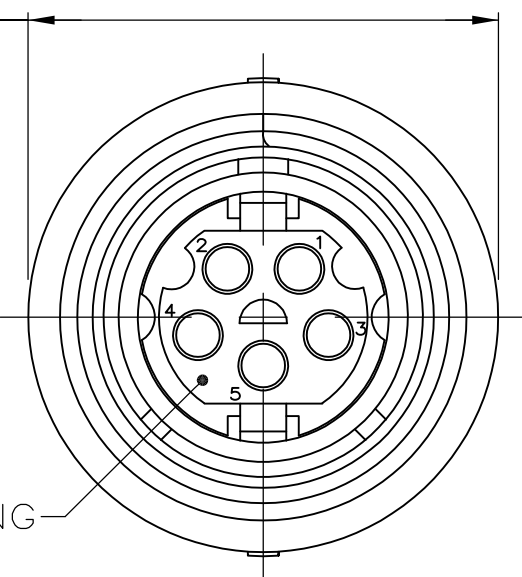
© COPYRIGHT - By -

LOC FT DIST 0

REVISIONS

P	LTR	DESCRIPTION	DATE	DWN	APVD
	J2	REVISED PER ECO-11-005027	12MAR11	RK	HMR

31.12±0.38 DIA
[1.225±.015]



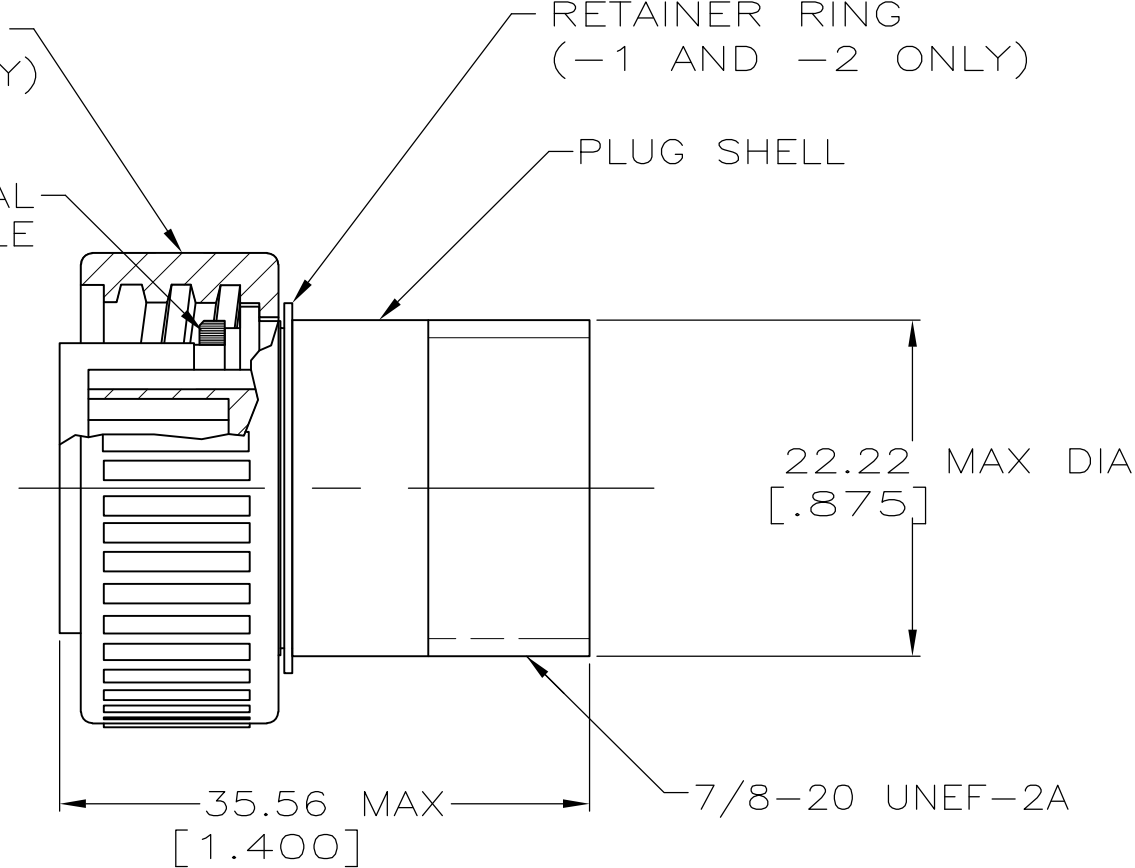
SOCKET HOUSING

COUPLING RING
(-1 AND -2 ONLY)

RETAINER RING
(-1 AND -2 ONLY)

SEAL
SEE TABLE

PLUG SHELL



NOTES:

- THIS CONNECTOR ACCEPTS FIVE (5) SIZE 16 MULTIMATE SOCKET CONTACTS, MAXIMUM WIRE INSULATION DIA = 3.43[.135].
- THIS CONNECTOR MATES WITH AMP P/N 208719-1.
- AMP P/N AND DATE CODE TO BE LOCATED ON COUPLING RING.

4 NICKEL PER QQ-N-290 OVER COPPER PER MIL-C-14550.

5 ZINC PER QQ-Z-363.

6 OBSOLETE PARTS: OBSOLETE CIS STREAMLINING PER D.RENAUD/D.SINISI

6 OBSOLETE	NO	NO	NO	208718-3
	YES	YES	YES	208718-2
	YES	YES	NO	208718-1
	RETAINER RING	COUPLING RING	SEAL	PART NUMBER

THIS DRAWING IS A CONTROLLED DOCUMENT.		DWN D.HARDY 05/23/94	TE Connectivity PLUG ASSEMBLY, STANDARD SEX, SERIES 1, 14-5, CMC		
DIMENSIONS: INCHES		CHK R.STONE 05/26/94			
TOLERANCES UNLESS OTHERWISE SPECIFIED:		APVD -	NAME		
0 PLC ± -		PRODUCT SPEC -	APPLICATION SPEC -		
1 PLC ± -		WEIGHT -	SIZE A3	CAGE CODE 00779	DRAWING NO C-208718
2 PLC ± -		RESTRICTED TO -			
3 PLC ± -		CUSTOMER DRAWING			
4 PLC ± -		SCALE 2:1			
ANGLES ± -		SHEET 1 OF 1			
MATERIAL SKT HOUSING: THERMOPLASTIC, BLACK		REV J2			
SEAL: FLUROCARBON, ELASTOMER					
RTNR RING: STAINLESS STEEL					
CPLG RING: PLUG SHELL:					

X-ON Electronics

Largest Supplier of Electrical and Electronic Components

Click to view similar products for [Standard Circular Connector](#) category:

Click to view products by [TE Connectivity](#) manufacturer:

Other Similar products are found below :

[5M2530B10P](#) [600259N006](#) [600273N007](#) [6134-336-13149](#) [6134-337-11149](#) [6134-337-2390](#) [6134-341-17149](#) [6280-4SG-516](#) [6280-7SG-3DC](#)
[6290](#) [6291A](#) [66200A-10](#) [680-SMG](#) [681-PMG](#) [CXS3102A14S2P](#) [CXS3102A181S](#) [7271-6SG-300](#) [7282-3PG-300-CH3](#) [75-474618-01S](#) [75-](#)
[474618-04P](#) [75-474618-04S](#) [799539-000](#) [MI8-SE](#) [805-005-07NF11-19PC](#) [805-005-07NF15-7PA](#) [8280-4PG-516](#) [8280-7PG-519](#) [8282-5PG-](#)
[519](#) [836783-1](#) [MP-4102-25P-C](#) [862256-1](#) [864019-2](#) [866857-1](#) [867865-1](#) [PT01SP-14-18P](#) [PT08P-14-5S](#) [120-1833-000](#)
[QCM019PC2DC012B](#) [1-2069279-1](#) [121583-0217](#) [121667-0020](#) [129591AU](#) [1000B BULK](#) [RD10A16-19-P6CS051/1](#) [RD10A20-31-](#)
[P8CS051/1](#) [RD16A14-12-S6CS051/2](#) [1301240290](#) [1301240347](#) [1301860202](#) [1301240268](#) [1301240275](#)