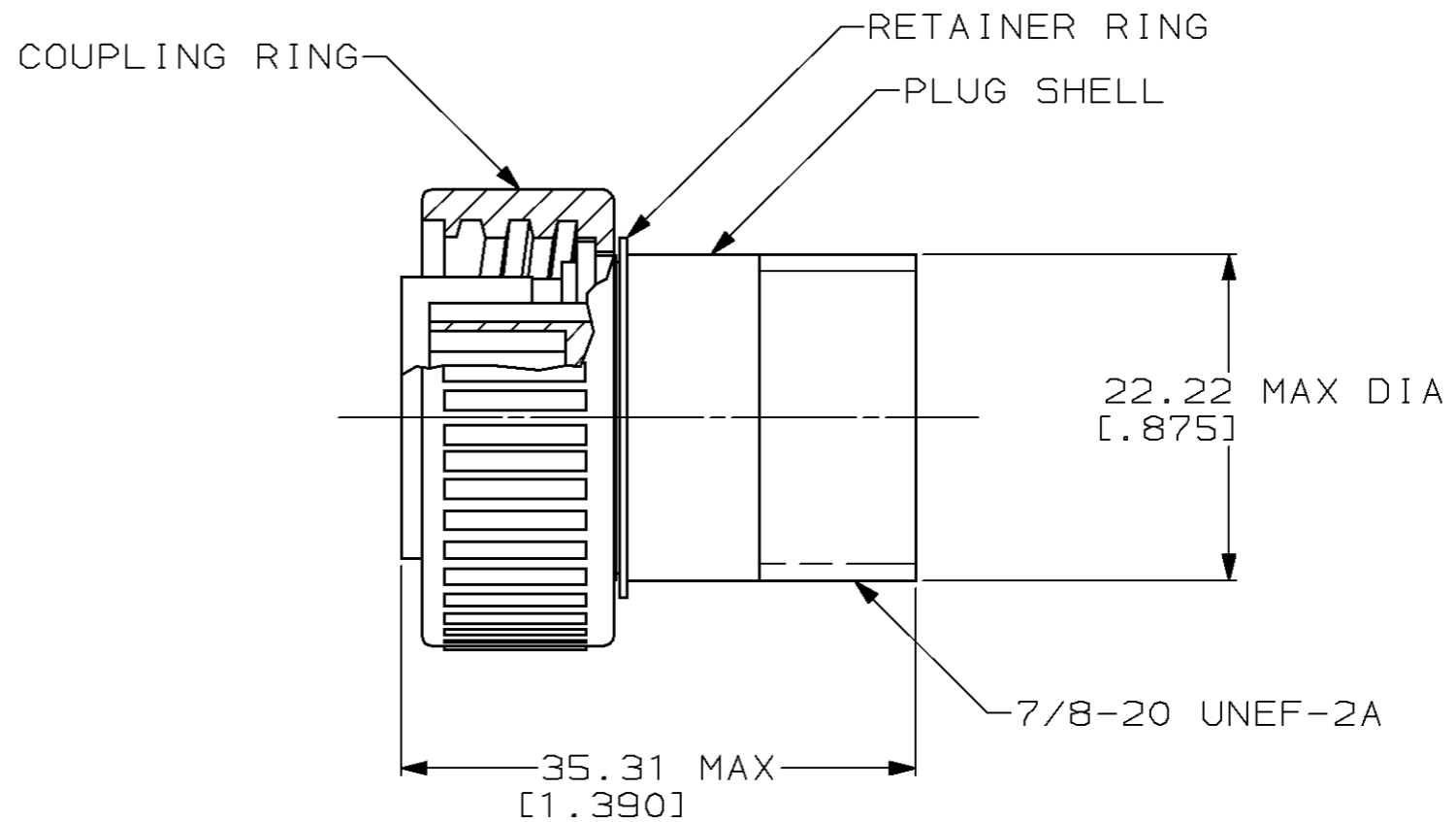
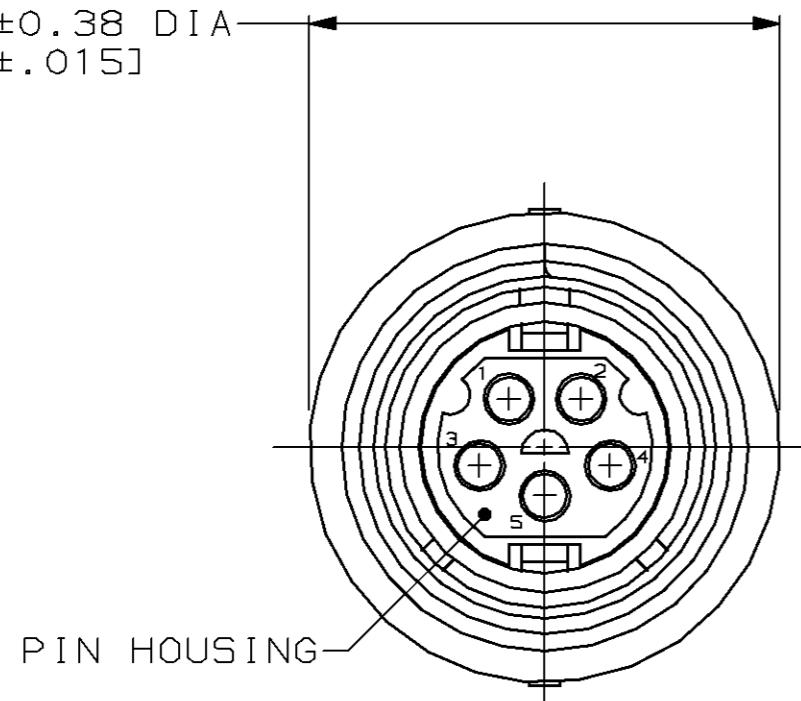


THIS DRAWING IS UNPUBLISHED. RELEASED FOR PUBLICATION, 19 .
 © COPYRIGHT 19 BY AMP INCORPORATED. ALL INTERNATIONAL RIGHTS RESERVED.

LOC	DIST	P	F	REVISIONS				
				ZONE	LTR	DESCRIPTION	DATE	APPD
BD	35				E	REDRAWN W/O CHANGE PER EC 0020-569-94	05/20/94	-
					F	OBS -2 PER EC 0020-0394-93	11/17/94	RK
					G	REV PER EC 0020-132-95	02/17/95	AF
					H	SUPSD -2 & REV PER EC 0020-1080-95	17 OCT 95	RB
					J	OBS -2 & REV PER EC 0020-419-96	07 MAY 96	AWF

31.12±0.38 DIA
 [1.225±.015]



- THIS CONNECTOR ACCEPTS FIVE (5) SIZE 16 MULTIMATE PIN CONTACTS, MAXIMUM WIRE INSULATION DIA = 3.43 [.135].
- THIS CONNECTOR MATES WITH AMP P/N 208721-1.
- AMP P/N AND DATE CODE TO BE LOCATED ON COUPLING RING.
- NICKEL PER QQ-N-290 OVER COPPER PER MIL-C-14550.
- ZINC PER QQ-Z-363.

OBSOLETE 208720-2
 208720-1

PART NO

DO NOT SCALE PRINT. UNLESS SPECIFIED DIMENSIONS IN mm [INCHES] TOLERANCES ON: 2 PLC DEC ± - 3 PLC DEC ± - ANGLES ± -		DR 05/23/94 D.HARDY	AMP AMP Incorporated Harrisburg, PA 17105-3608
MATERIAL PIN HSG: TERMOPLASTIC, BLACK RTNR RING: STAINLESS STEEL CPLG RING: Δ PLUG SHELL: Δ		CHK 05-26-94 R.STONE	
FINISH CPLG RING: Δ PLUG SHELL: Δ		APPD 07/13/94 A.FRANTUM	NAME PLUG ASSEMBLY, REVERSE SEX, SERIES 1, 14-5, CMC
		APPD 07/13/94 A.FRANTUM	SIZE B CAGE CODE 00779 DRAWING NO C-208720
		PRODUCT SPEC -	SCALE 2:1 SHEET 1 OF 1
		APPLICATION SPEC -	
		WEIGHT -	

THIS DRAWING IS A CONTROLLED DOCUMENT FOR AMP INCORPORATED. IT IS SUBJECT TO CHANGE AND THE CONTROLLING ENGINEERING ORGANIZATION SHOULD BE CONTACTED FOR THE LATEST REVISION.

X-ON Electronics

Largest Supplier of Electrical and Electronic Components

Click to view similar products for [Standard Circular Connector](#) category:

Click to view products by [TE Connectivity](#) manufacturer:

Other Similar products are found below :

[5M2530B10P](#) [600259N006](#) [600273N007](#) [6134-336-13149](#) [6134-337-11149](#) [6134-337-2390](#) [6134-341-17149](#) [6280-4SG-516](#) [6280-7SG-3DC](#)
[6290](#) [6291A](#) [66200A-10](#) [680-SMG](#) [681-PMG](#) [CXS3102A14S2P](#) [CXS3102A181S](#) [7251-5SG-300](#) [7271-6SG-300](#) [7282-3PG-300-CH3](#) [75-](#)
[474618-01S](#) [75-474618-04P](#) [75-474618-04S](#) [799539-000](#) [MI8-SE](#) [805-005-07NF11-19PC](#) [805-005-07NF15-7PA](#) [8280-4PG-516](#) [8280-7PG-](#)
[519](#) [8282-5PG-519](#) [836783-1](#) [MP-4102-25P-C](#) [862256-1](#) [864019-2](#) [866857-1](#) [867865-1](#) [PT01SP-14-18P](#) [PT08P-14-5S](#) [PTSF06SE-14-12S](#)
[120-1833-000](#) [QCM019PC2DC012B](#) [1-2069279-1](#) [121583-0217](#) [121667-0020](#) [129591AU](#) [1000B BULK](#) [RD10A16-19-P6CS051/1](#)
[RD10A20-31-P8CS051/1](#) [RD16A14-12-S6CS051/2](#) [1301240290](#) [1301240347](#) [1301860202](#)