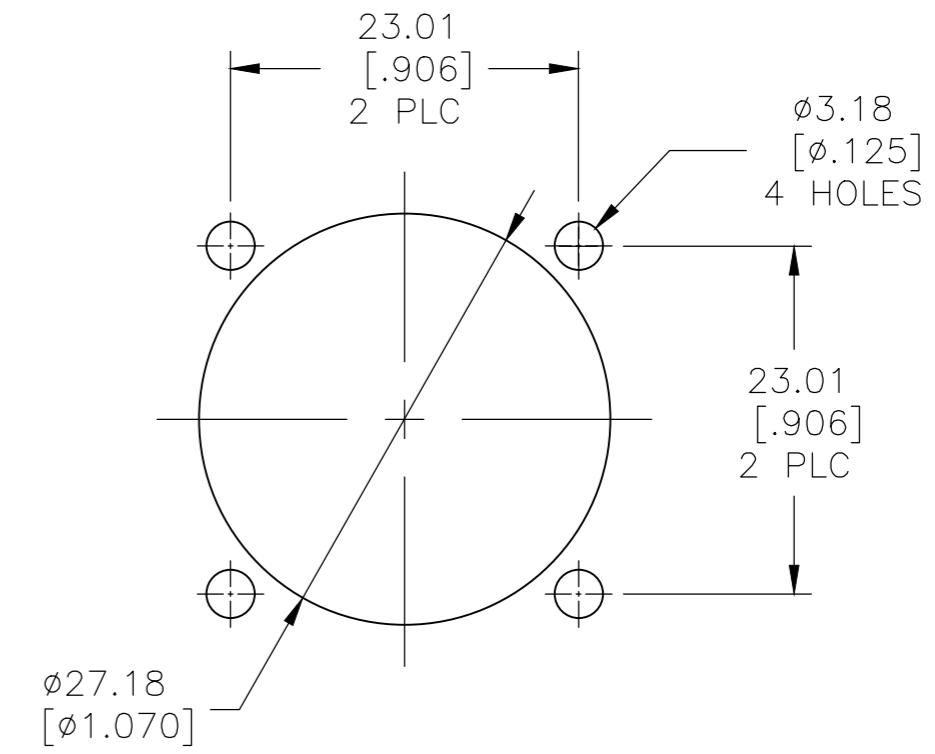
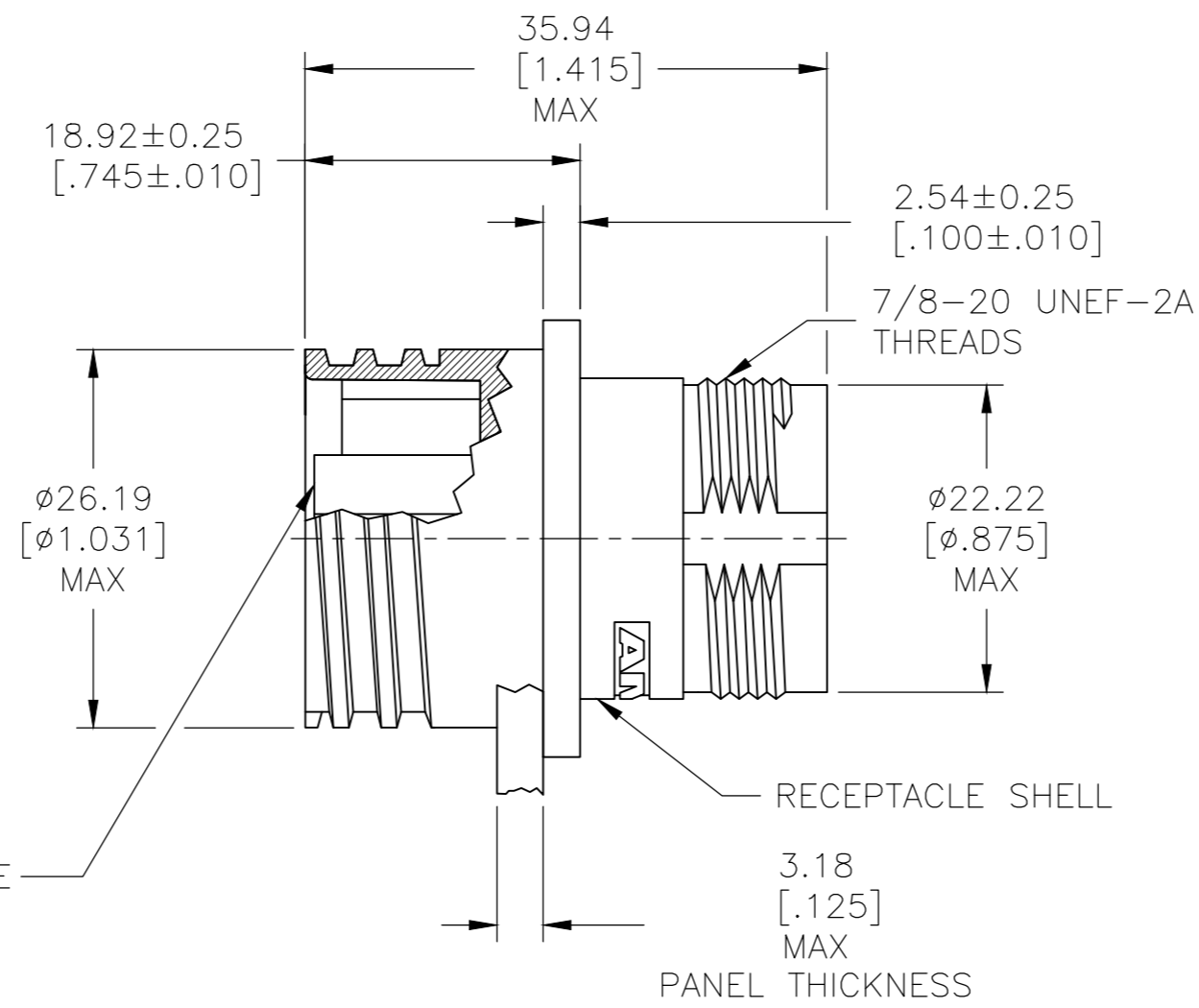
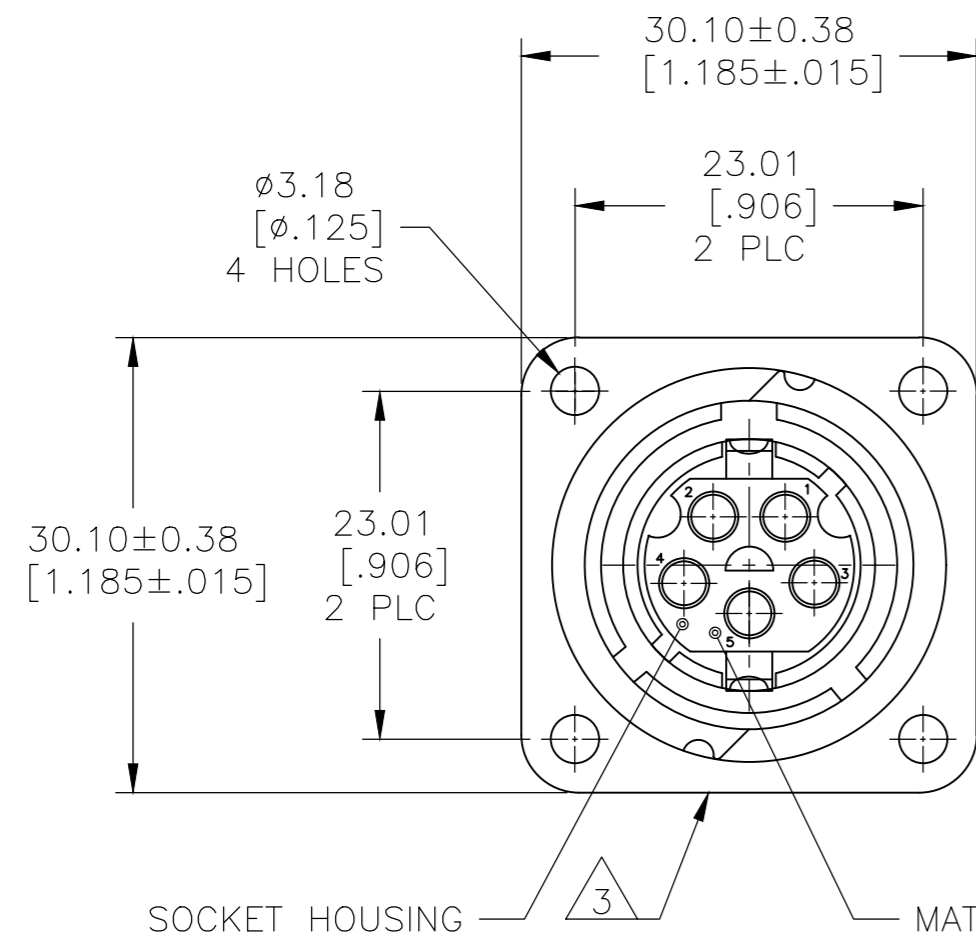


THIS DRAWING IS UNPUBLISHED. RELEASED FOR PUBLICATION
 © COPYRIGHT - TE Connectivity ALL RIGHTS RESERVED.

REVISIONS					
P	LTR	DESCRIPTION	DATE	DWN	APVD
D		REDRAWN PER EC 0020-774-94	09/15/94	-	AF
E		REVISED PER ECO-17-016115	02NOV2017	RS	MZ



SUGGESTED PANEL CUTOUT

- 1 THIS CONNECTOR ACCEPTS FIVE (5) SIZE 16 MULTIMATE SOCKET CONTACTS. MAXIMUM WIRE INSULATION DIAMETER = ϕ .135
- 2 THIS CONNECTOR MATES WITH AMP P/N 208720-1.
- 3 PART NUMBER AND DATE CODE MARKED ON ANY ANY FLANGE EDGE.
- 4 THERMOPLASTIC, BLACK.
- 5 ZINC PER QQ-Z-363.
- 6 NICKEL PER QQ-N-290 OVER COPPER PER MIL-C-14550.

208721-1
PART NO.

THIS DRAWING IS A CONTROLLED DOCUMENT.		DWN T. SMITH 3/19/82			
DIMENSIONS: mm [INCHES]		CHK B. LENKER 9/26/94			
TOLERANCES UNLESS OTHERWISE SPECIFIED:		APVD A. FRANTUM 9/29/94	NAME RECEPTACLE ASSEMBLY, REVERSE SEX, SERIES I, 14-5, CMC		
0 PLC ± -		PRODUCT SPEC 108-10040	SIZE A2	CAGE CODE 00779	DRAWING NO C=208721
1 PLC ± -		APPLICATION SPEC	RESTRICTED TO		
2 PLC ± 0.13[.005]		WEIGHT -	SCALE 2:1		
3 PLC ± -		FINISH SOCKET HOUSING: 4 RECEPTACLE SHELL: 6	SHEET 1 OF 1		
ANGLES ± -		CUSTOMER DRAWING			
FINISH SOCKET HOUSING: 4 RECEPTACLE SHELL: 6		REV E			

X-ON Electronics

Largest Supplier of Electrical and Electronic Components

Click to view similar products for [Standard Circular Connector](#) category:

Click to view products by [TE Connectivity](#) manufacturer:

Other Similar products are found below :

[5M2530B10P](#) [600259N006](#) [600273N007](#) [6134-336-13149](#) [6134-337-11149](#) [6134-337-2390](#) [6134-341-17149](#) [6280-4SG-516](#) [6280-7SG-3DC](#)
[6290](#) [6291A](#) [66200A-10](#) [680-SMG](#) [681-PMG](#) [CXS3102A14S2P](#) [CXS3102A181S](#) [7271-6SG-300](#) [7282-3PG-300-CH3](#) [75-474618-01S](#) [75-](#)
[474618-04P](#) [75-474618-04S](#) [799539-000](#) [MI8-SE](#) [805-005-07NF11-19PC](#) [805-005-07NF15-7PA](#) [8280-4PG-516](#) [8280-7PG-519](#) [8282-5PG-](#)
[519](#) [836783-1](#) [MP-4102-25P-C](#) [862256-1](#) [864019-2](#) [866857-1](#) [867865-1](#) [PT01SP-14-18P](#) [PT08P-14-5S](#) [120-1833-000](#)
[QCM019PC2DC012B](#) [1-2069279-1](#) [121583-0217](#) [121667-0020](#) [129591AU](#) [1000B BULK](#) [RD10A16-19-P6CS051/1](#) [RD10A20-31-](#)
[P8CS051/1](#) [RD16A14-12-S6CS051/2](#) [1301240290](#) [1301240347](#) [1301860202](#) [1301240268](#) [1301240275](#)