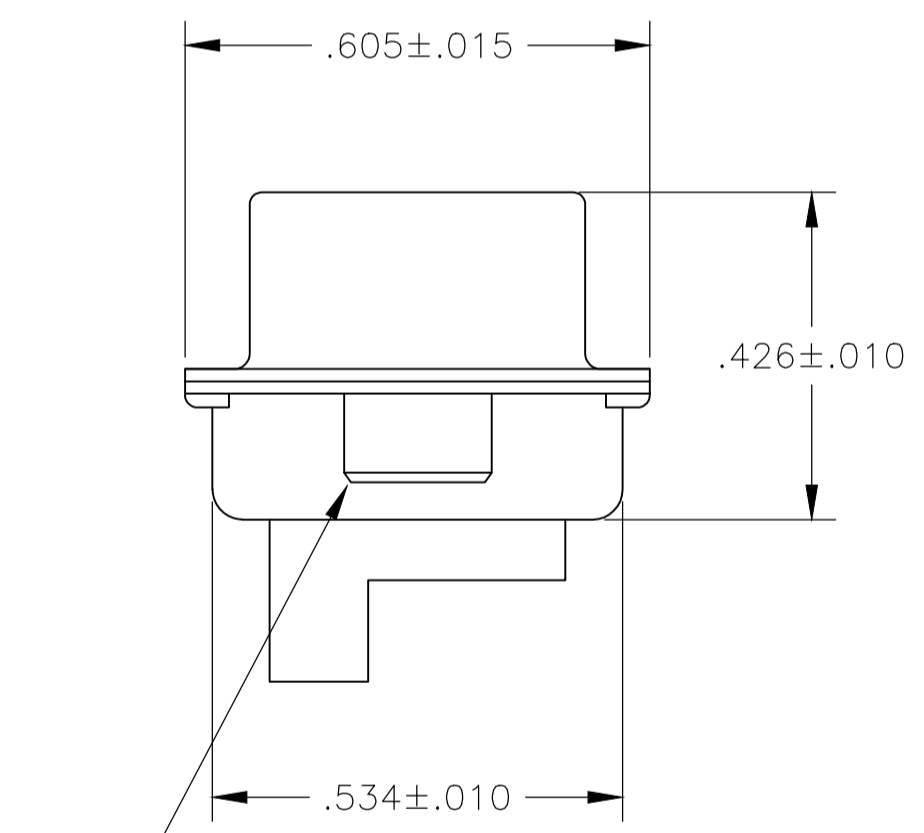
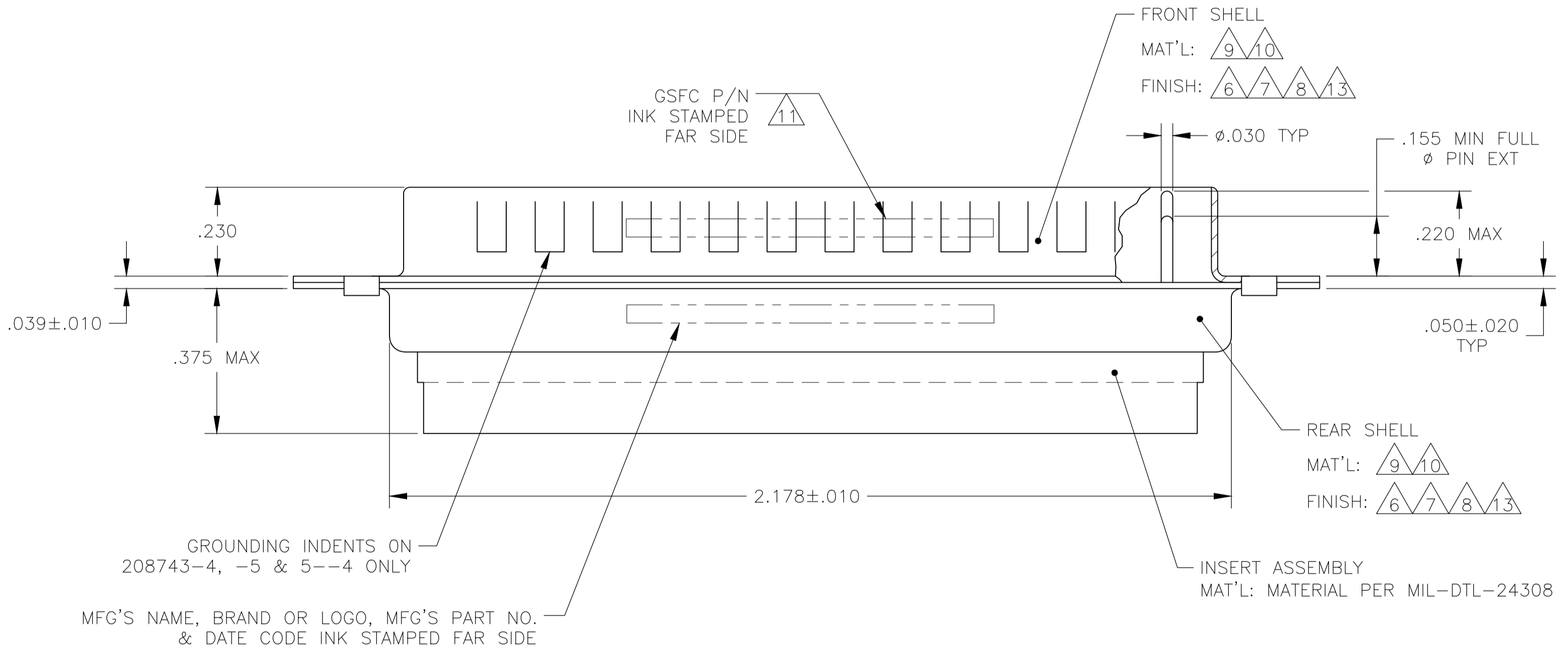
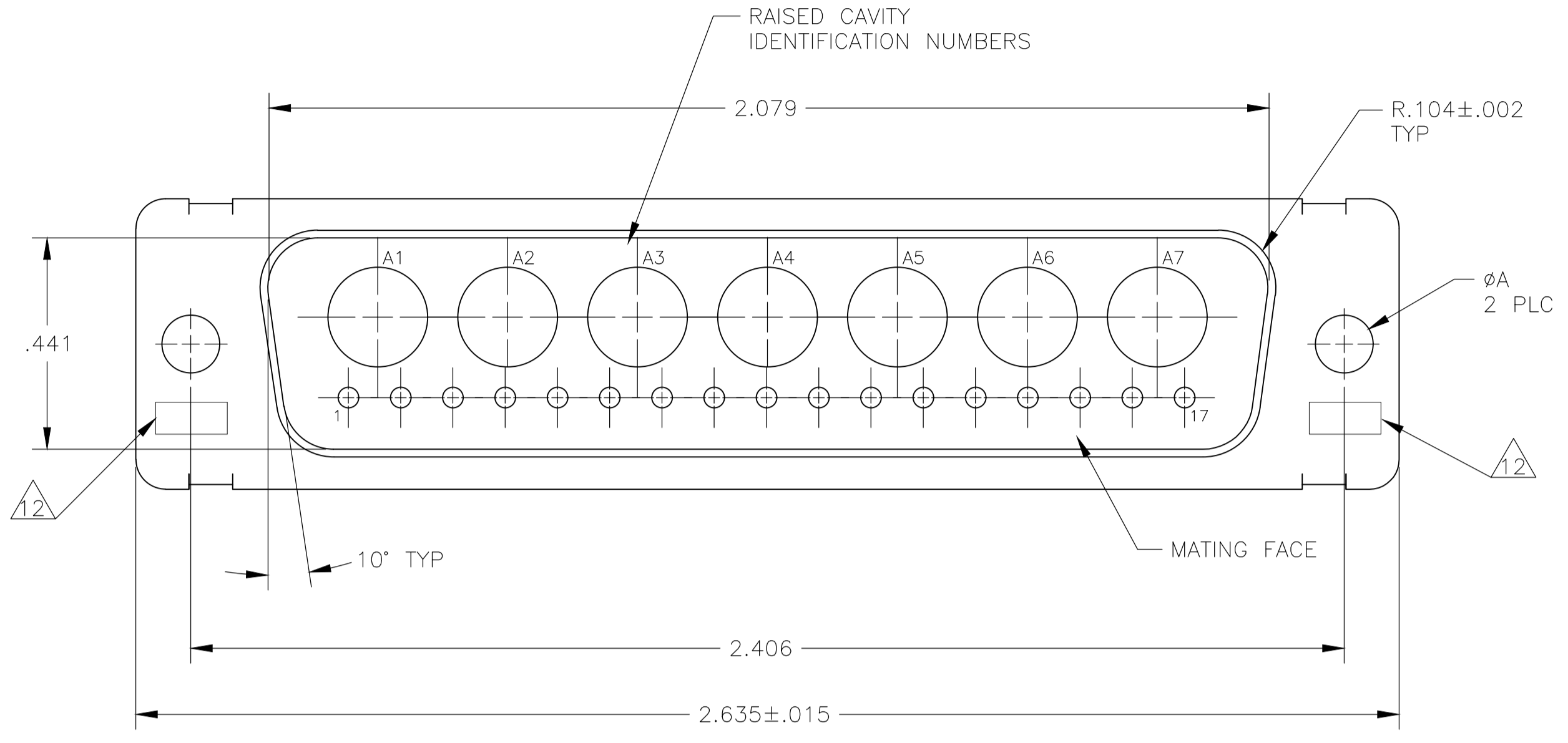


REVISIONS					
P	LTR	DESCRIPTION	DATE	DMN	APVD
U		REVISED PER ECO-19-002868	5-2-19	CT	RL

- THIS PLUG WILL MATE WITH ANY 24C7, SIZE 5 RECEPTACLE IN AMPLIMITE SERIES.
- MAXIMUM WIRE INSULATION TO BE USED WITH THIS PLUG IS $\phi.068$.
- THIS CONNECTOR ACCEPTS (7) POWER 8, OR COAX PIN CONTACTS IN POSITIONS A1 THRU A7, PURCHASED SEPARATELY.
- THIS CONNECTOR ACCEPTS SIZE 20 PIN SIGNAL CONTACTS IN POSITIONS 1 THRU 17.
- INSERTION/EXTRACTION TOOL USED FOR SIZE 20 PIN SIGNAL CONTACTS IS 91067-2.
- FINISH: CADMIUM PLATED PER QQ-P-416.
- FINISH: TIN PER ASTM-B-545, .000400 MIN THK OVER COPPER PER AMS2418, .000050 MIN THK.
- FINISH: GOLD PLATED PER MIL-G-45204 TYPE II, GRADE C, CLASS 1 OVER COPPER PER MIL-C-14550, CLASS IV.
- STEEL PER ASTM-A-109.
- BRASS PER MIL-C-50 AND ASTM-B-36 UNS NO. C26000.
- INK STAMP WESTINGHOUSE PART NO: 97942-645A9356H04, FAR SIDE.
- UL/CSA DESIGNATION STAMPED IN THIS AREA.
- FINISH: ZINC PLATE PER ASTM-B-633, .000200-.000400 THK WITH SUPPLEMENTARY CHROMATE (Cr3+)



4-40 CLINCH NUT, SELF LOCKING, -8 ONLY
 ZINC PLATED WITH TRIVALENT CHROMATE

$\triangle 9 \triangle 7$.120	-	5-208743-4
$\triangle 9 \triangle 13$.120	-	5-208743-1
$\triangle 9 \triangle 7$	-	-	208743-8
$\triangle 9 \triangle 7$.120	-	208743-7
$\triangle 8 \triangle 10$.154	311P405-22S-B-15	208743-6
$\triangle 9 \triangle 7$.120	-	208743-5
$\triangle 7 \triangle 9$.120	-	208743-4
$\triangle 6 \triangle 9 \triangle 11$.120	-	208743-3
$\triangle 8 \triangle 10$.120	311P405-22S-B-12	208743-2
$\triangle 6 \triangle 9$.120	-	208743-1
REMARKS	ϕA	GSFC P/N	MFG'S PART NO.

GROUNDING INDENTS ON
 208743-4, -5 & 5--4 ONLY
 MFG'S NAME, BRAND OR LOGO, MFG'S PART NO.
 & DATE CODE INK STAMPED FAR SIDE

THIS DRAWING IS A CONTROLLED DOCUMENT. **STE** TE Connectivity Ltd.

DIMENSIONS: INCHES	TOLERANCES UNLESS OTHERWISE SPECIFIED:	0 PLC ± -	1 PLC ± -	2 PLC ± -	3 PLC ± .005(0.13)	4 PLC ± ± 0'.30'	ANGLES ± ± 0'.30'	
MATERIAL	FINISH	WEIGHT	0.000000	SIZE	A1	CAGE CODE	DRAWING NO	RESTRICTED TO
CUSTOMER DRAWING		SCALE	4:1	SHEET	1 of 1	REV	U	

MANJUNATH G M 27-May-15
 CHARLES THOMAS 27-May-15
 CHARLES THOMAS 27-May-15
 PLUG ASSEMBLY
 AMPLIMITE 24C7
 SIZE 5, COAX MIX
 00779C=208743

X-ON Electronics

Largest Supplier of Electrical and Electronic Components

Click to view similar products for [TE Connectivity](#) manufacturer:

Other Similar products are found below :

[D38999/24FJ4AN](#) [570416-000](#) [CLTEQ-M81CE-SSRELAY-4-20V](#) [4-1195131-0](#) [650069-000](#) [SMD100-2](#) [358838-000](#) [CB-1022B-78](#)
[RM707012](#) [RP410012](#) [MMS42](#) [1-640426-8](#) [2EDL4CM](#) [DTS20W19-11PD-3028-LC](#) [RM202615](#) [NC6-P104-06](#) [MSPS103B](#) [DTS26F21-41HE-LC](#) [DTS26F21-41AE](#) [DTS26F21-41PE-LC](#) [DTS26F21-11SE-3028-LC](#) [30DCB6](#) [1932144-1](#) [293545-4](#) [LVR125S](#) [MS27466T25F4PB](#)
[CKB-38-78010](#) [TR04AI-TINELLOCKRING](#) [1206SFF150F/63-2](#) [D38999/20JB35HA](#) [TE1500A2R2J](#) [D38999/20WC8BB](#) [DTS24F19-11SC-3028-LC](#) [D38999/24WG11HA](#) [D38999/24WG11HN](#) [MS27467T21F11H](#) [DJT16E21-11HA](#) [MS27467T21F35J](#) [MS27467T21F11J](#)
[MS27467T21F16H-LC](#) [MS27467T21F35H](#) [MS27467T21F41H-LC](#) [1206SFH150F/24-2](#) [RP330024](#) [DJT16E21-11PA-LC](#) [DJT16E21-11HA-LC](#) [DJT16E21-11AA](#) [MS27467T21B11JA](#) [DJT16E21-11JA](#) [MS27467T21B11JA-LC](#)