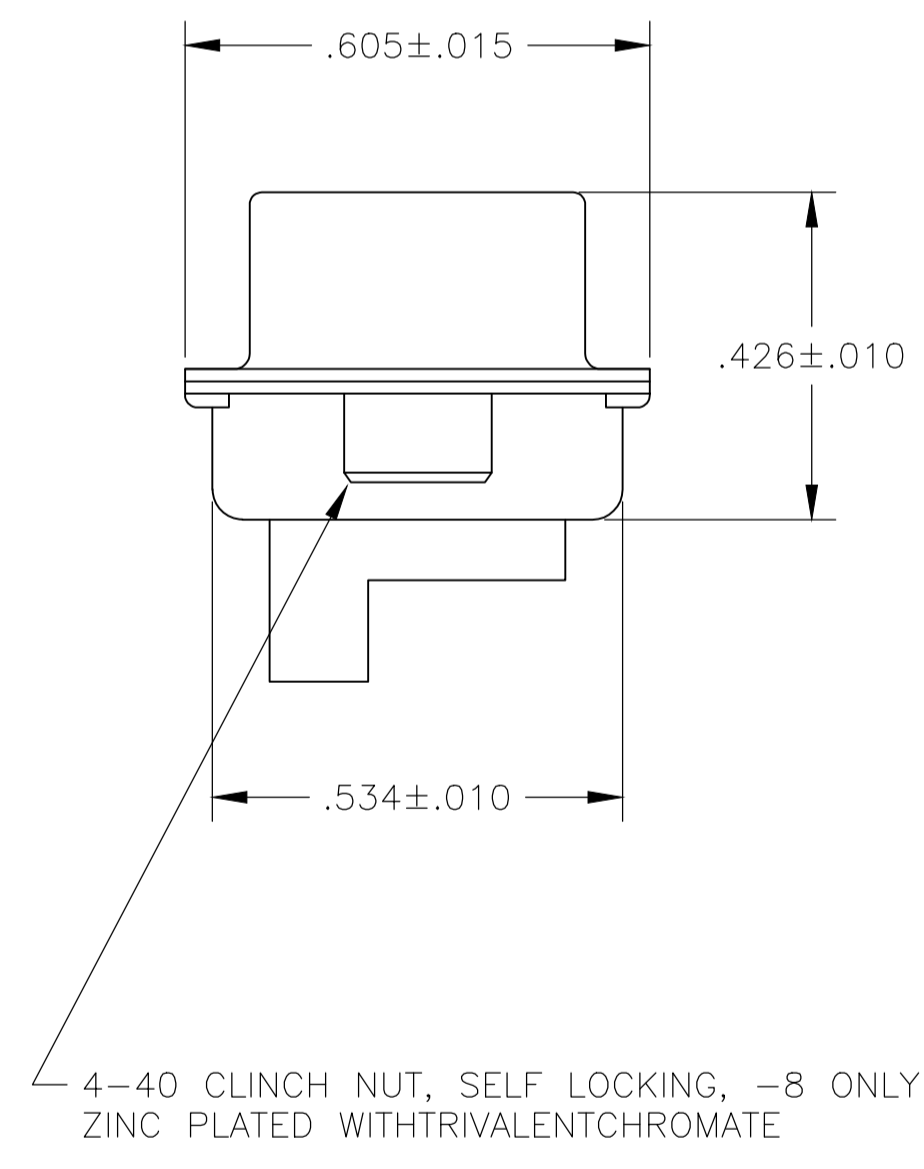
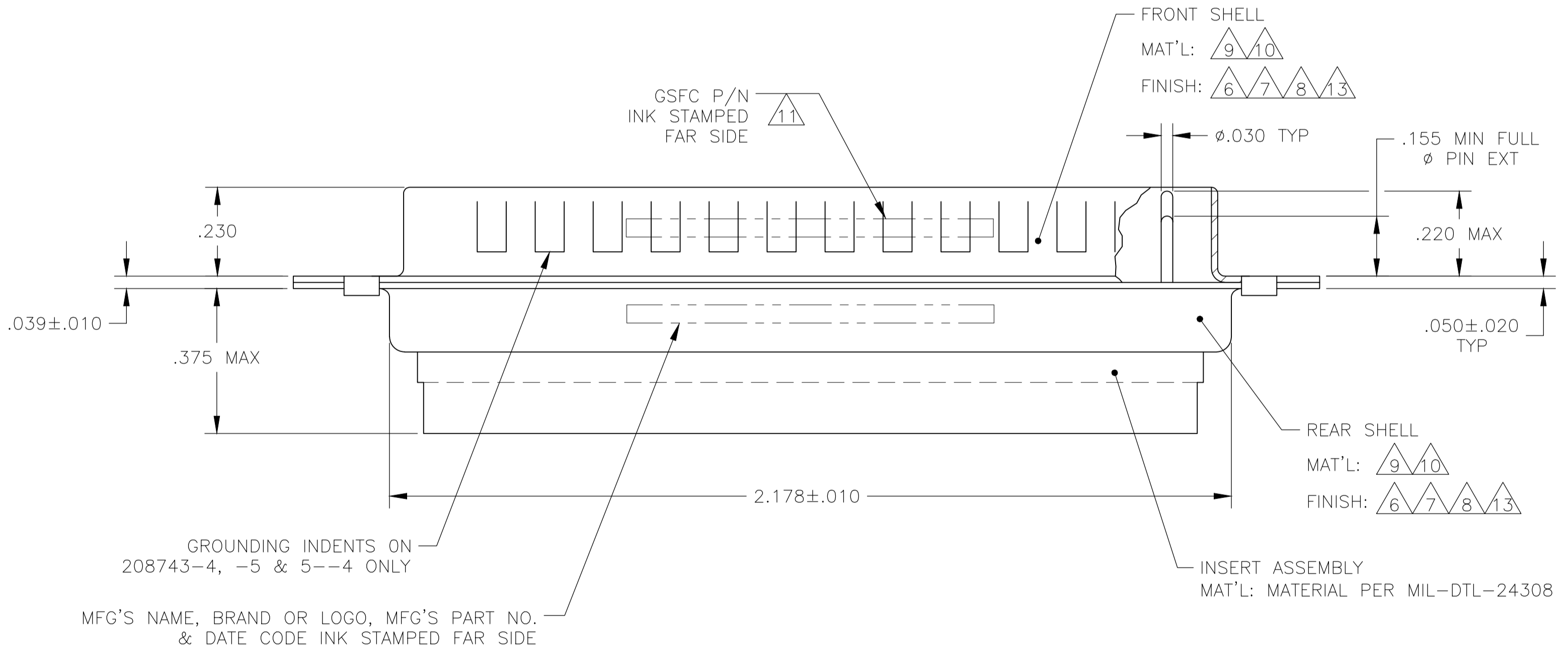
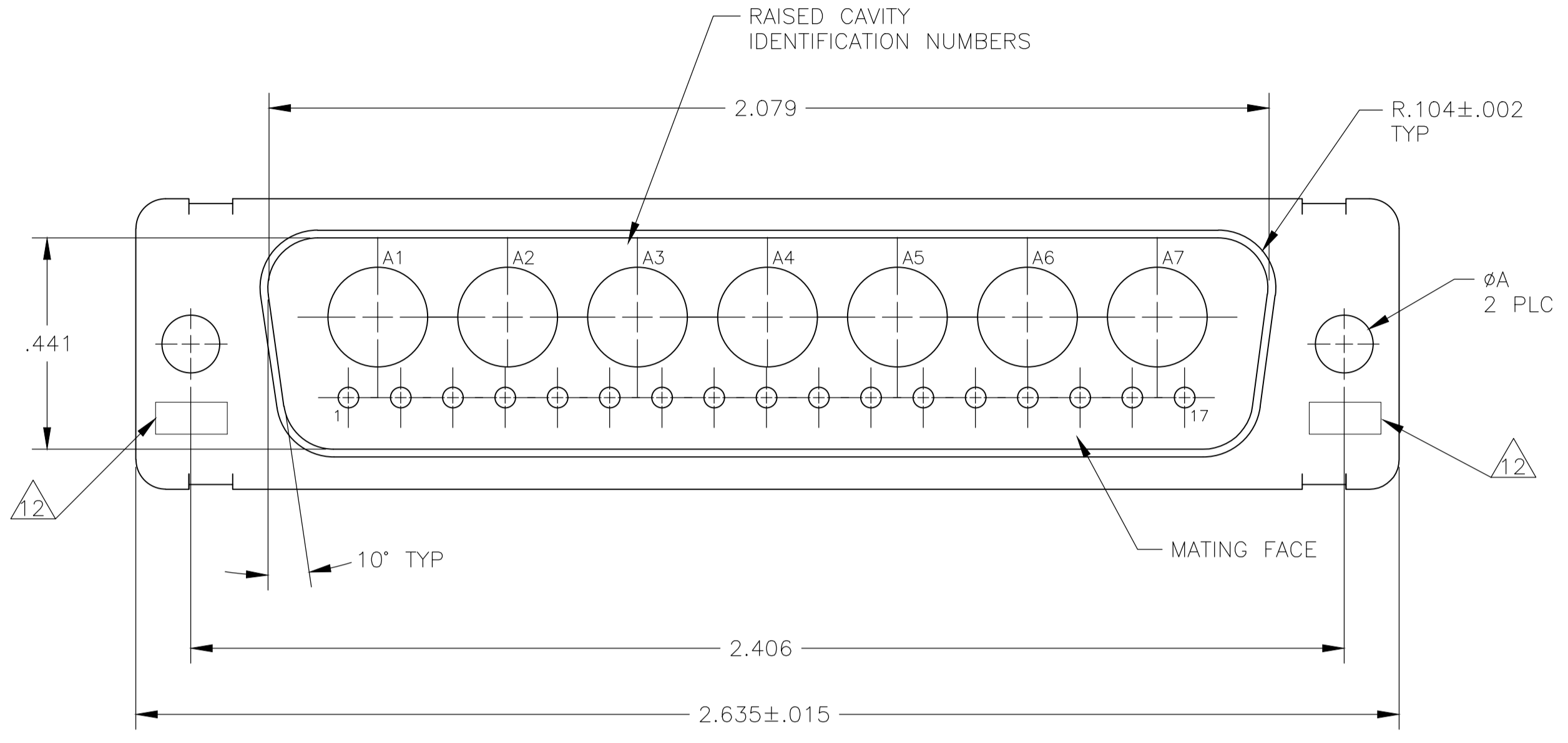


REVISIONS					
P	LTR	DESCRIPTION	DATE	DMN	APVD
U		REVISED PER ECO-19-002868	5-2-19	CT	RL

- THIS PLUG WILL MATE WITH ANY 24C7, SIZE 5 RECEPTACLE IN AMPLIMITE SERIES.
- MAXIMUM WIRE INSULATION TO BE USED WITH THIS PLUG IS $\phi.068$.
- THIS CONNECTOR ACCEPTS (7) POWER 8, OR COAX PIN CONTACTS IN POSITIONS A1 THRU A7, PURCHASED SEPARATELY.
- THIS CONNECTOR ACCEPTS SIZE 20 PIN SIGNAL CONTACTS IN POSITIONS 1 THRU 17.
- INSERTION/EXTRACTION TOOL USED FOR SIZE 20 PIN SIGNAL CONTACTS IS 91067-2.
- FINISH: CADMIUM PLATED PER QQ-P-416.
- FINISH: TIN PER ASTM-B-545, .000400 MIN THK OVER COPPER PER AMS2418, .000050 MIN THK.
- FINISH: GOLD PLATED PER MIL-G-45204 TYPE II, GRADE C, CLASS 1 OVER COPPER PER MIL-C-14550, CLASS IV.
- STEEL PER ASTM-A-109.
- BRASS PER MIL-C-50 AND ASTM-B-36 UNS NO. C26000.
- INK STAMP WESTINGHOUSE PART NO: 97942-645A9356H04, FAR SIDE.
- UL/CSA DESIGNATION STAMPED IN THIS AREA.
- FINISH: ZINC PLATE PER ASTM-B-633, .000200-.000400 THK WITH SUPPLEMENTARY CHROMATE (Cr3+)



$\triangle 9 \triangle 7$.120	-	5-208743-4
$\triangle 9 \triangle 13$.120	-	5-208743-1
$\triangle 9 \triangle 7$	-	-	208743-8
$\triangle 9 \triangle 7$.120	-	208743-7
$\triangle 8 \triangle 10$.154	311P405-22S-B-15	208743-6
$\triangle 9 \triangle 7$.120	-	208743-5
$\triangle 7 \triangle 9$.120	-	208743-4
$\triangle 6 \triangle 9 \triangle 11$.120	-	208743-3
$\triangle 8 \triangle 10$.120	311P405-22S-B-12	208743-2
$\triangle 6 \triangle 9$.120	-	208743-1
REMARKS	φA	GSFC P/N	MFG'S PART NO.

THIS DRAWING IS A CONTROLLED DOCUMENT.

DIMENSIONS: INCHES	TOLERANCES UNLESS OTHERWISE SPECIFIED:	0 PLC ± -	1 PLC ± -	2 PLC ± -	3 PLC ± .005(0.13)	4 PLC ± ± 0'.30'	ANGLES ± ± 0'.30'
--------------------	--	-----------	-----------	-----------	--------------------	------------------	-------------------

MATERIAL	FINISH	WEIGHT	0.000000
----------	--------	--------	----------

APPROVED BY	MANJUNATH G.M.	DATE	27-May-15
CHECKED BY	CHARLES THOMAS	DATE	27-May-15
APPROVED BY	CHARLES THOMAS	DATE	27-May-15

NAME: PLUG ASSEMBLY
 AMPLIMITE 24C7
 SIZE 5, COAX MIX

SIZE: A1 CASE CODE: C DRAWING NO: 00779C=208743
 WEIGHT: 0.000000
 CUSTOMER DRAWING SCALE: 4:1 SHEET: 1 of 1 REV: U

TE Connectivity Ltd.

X-ON Electronics

Largest Supplier of Electrical and Electronic Components

Click to view similar products for [D-Sub MIL Spec Connectors](#) category:

Click to view products by [TE Connectivity](#) manufacturer:

Other Similar products are found below :

[M24308/4-13Z](#) [M8351307-B](#) [D38999/24WE6SD](#) [D38999/24WG11PB-LC](#) [MDM-21SH003B-K139](#) [1218697-4](#) [MS27467T21F41S](#)
[MS27468T21F11P](#) [MS27468T21F11S](#) [17D25HV](#) [1996840-1](#) [243082-15](#) [1663962-1](#) [1757682-1](#) [17D-E51218-1](#) [17SDA15S](#) [1883533-1](#)
[1883886-1](#) [1883889-1](#) [192900-0377](#) [M24308/2-3Z](#) [M24308/4-3Z](#) [M24308/4-4F](#) [M24308/4-4Z](#) [M83513/03-E09C](#) [M83723/75W2212N L/C](#)
[D38999/24FJ29PN-LC](#) [D38999/24WG11SB-LC](#) [5-1218949-1](#) [550-031NF1R6K](#) [550E001NF1R3J0L](#) [550T001NF1R6K0L](#) [C115368-1612B](#)
[C115370-1717B](#) [DC121073157](#) [443869-3](#) [443869-4](#) [443869-5](#) [550S004NF1R1B0F03](#) [550-031NF1R2E](#) [550E003M2R9J0F04](#)
[550E003M3R9J0F05](#) [550E024M104R9J0](#) [550E024NF102R3J0B](#) [550E039NF1R3J1-02](#) [550S003M3R9B0F05](#) [550S004M4R7M0F04](#)
[550S004NF1R1B1F02](#) [550S086M5R3J0L](#) [550S100NF3F0E](#)