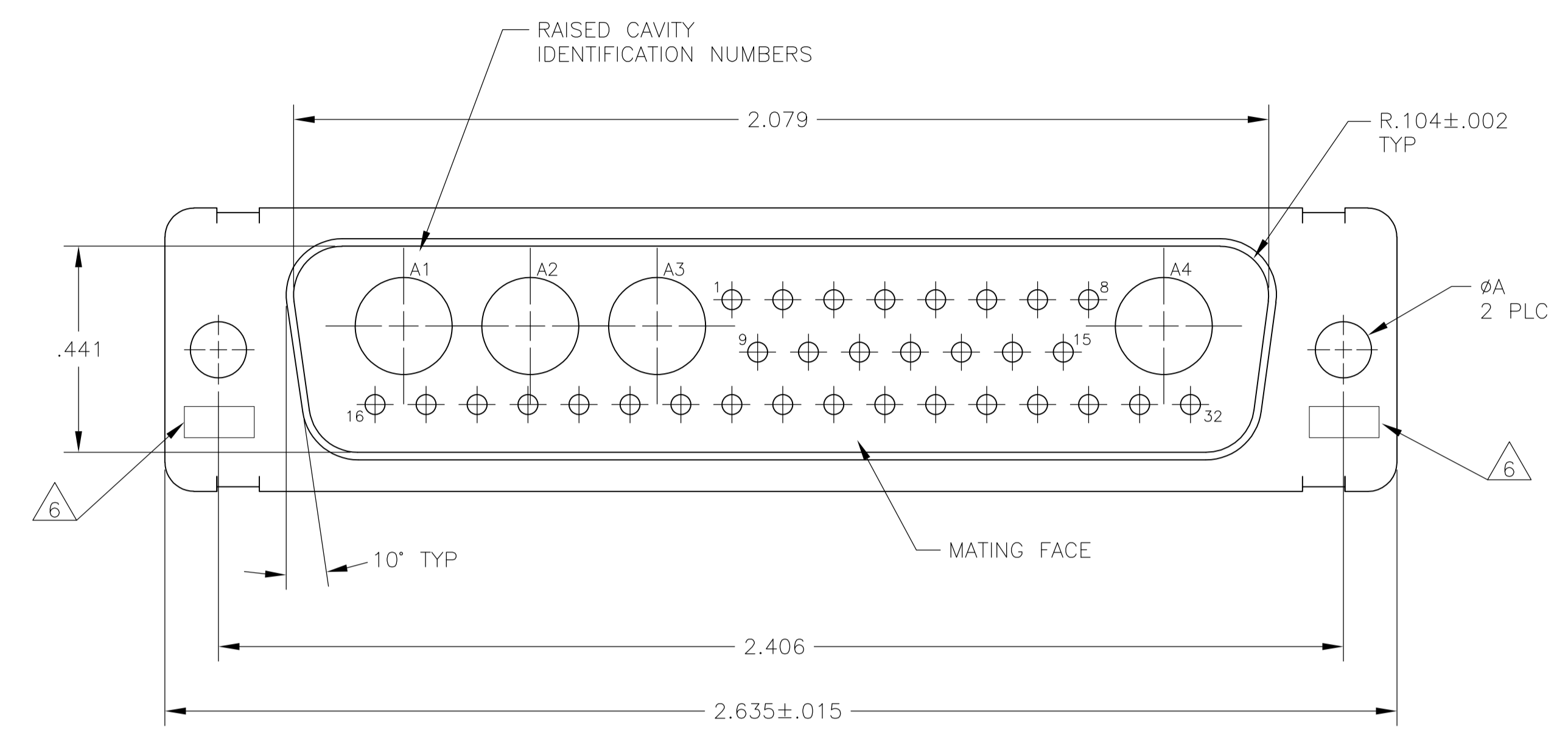
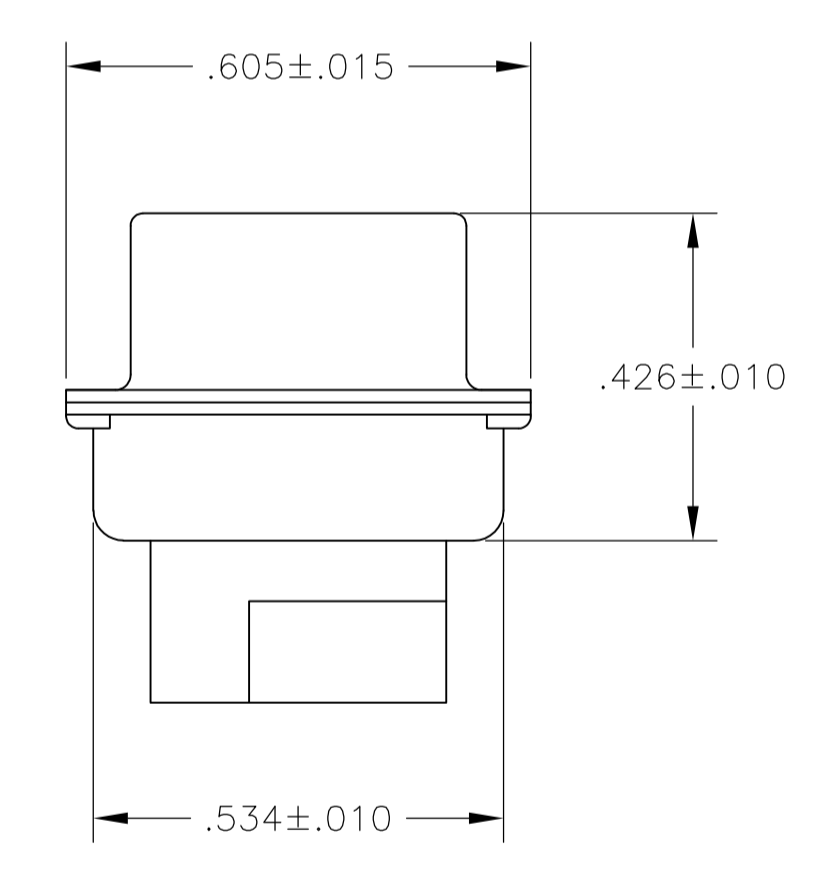
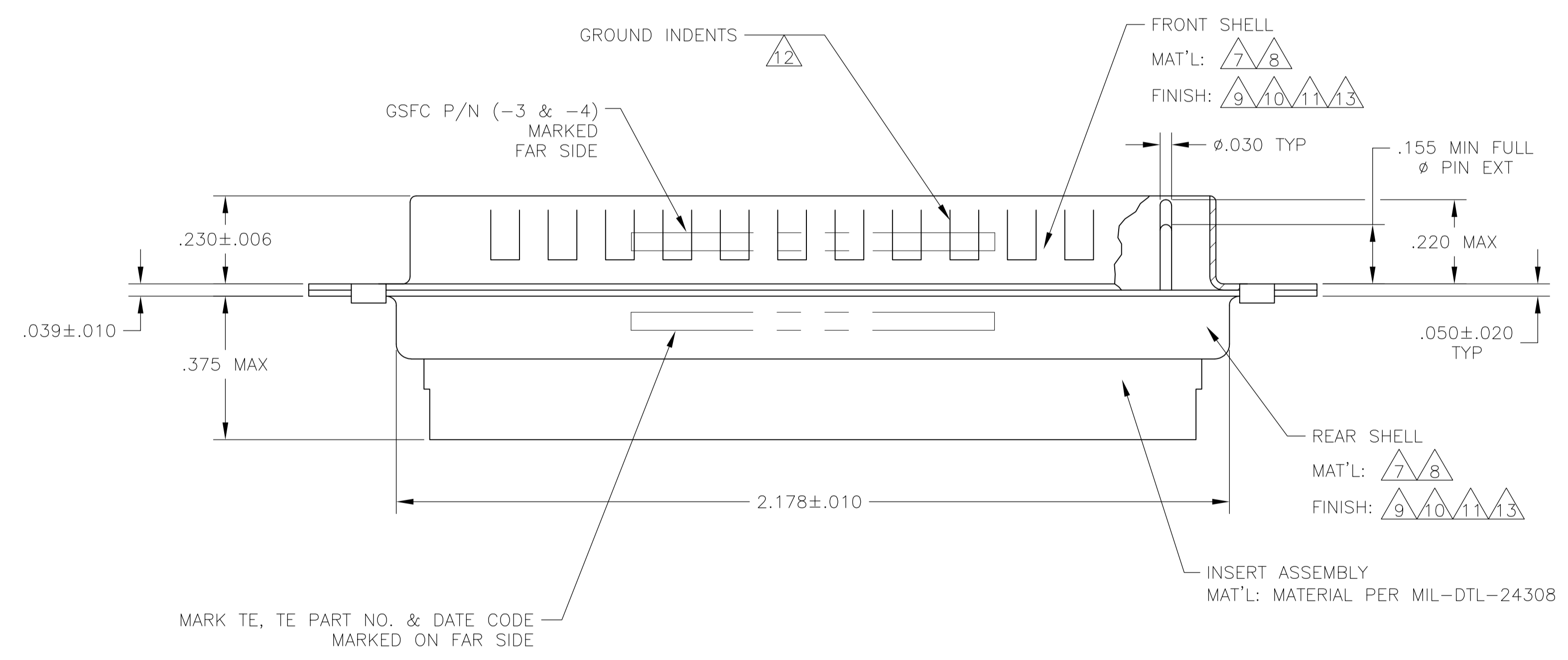


LOC		DIST		REVISIONS			
P	LTR	DESCRIPTION	DATE	DMN	APVD		
P		REVISED PER ECO-15-016251	13NOV15	KG	CD		



- THIS PLUG WILL MATE WITH ANY 36C4, SIZE 5 RECEPTACLE IN AMPLIMITE SERIES.
  - MAXIMUM WIRE INSULATION TO BE USED WITH THIS PLUG IS  $\phi.072$ .
  - THIS CONNECTOR ACCEPTS (4) POWER 8, OR COAX PIN CONTACTS IN POSITIONS A1 THRU A4, PURCHASED SEPARATELY.
  - THIS CONNECTOR ACCEPTS SIZE 20 PIN SIGNAL CONTACTS IN POSITIONS 1 THRU 32, PURCHASED SEPARATELY.
  - INSERTION/EXTRACTION TOOL USED FOR SIZE 20 PIN SIGNAL CONTACTS IS 91067-2.
- $\triangle 6$  UL/CSA DESIGNATION STAMPED IN THIS AREA, OPTIONAL.  
 $\triangle 7$  STEEL PER ASTM-A-109.  
 $\triangle 8$  BRASS PER MIL-C-50 AND ASTM-B-36 UNS NO. C26000.  
 $\triangle 9$  FINISH: CADMIUM PLATED PER QQ-P-416, TYPE II, CLASS 2.  
 $\triangle 10$  FINISH: GOLD PLATED PER MIL-G-45204 TYPE II, GRADE C, CLASS 1 OVER COPPER PER MIL-C-14550, CLASS IV.  
 $\triangle 11$  FINISH: TIN PER ASTM-B-545, .000400 MIN THK OVER COPPER PER AMS2418, .000050 MIN THK.  
 $\triangle 12$  GROUND INDENTS FOR 208744-5 & 5-208744-5 ONLY.  
 $\triangle 13$  FINISH: ZINC PLATE PER ASTM-B-633 .000200-.000400 THK WITH SUPPLEMENTARY CHROMATE (Cr3+).



MARK TE, TE PART NO. & DATE CODE MARKED ON FAR SIDE

$\triangle 7, \triangle 12, \triangle 11$	.120	-	5-208744-5
$\triangle 7, \triangle 13$	.154	-	5-208744-2
$\triangle 7, \triangle 13$	.120	-	5-208744-1
$\triangle 7, \triangle 11, \triangle 12$	.120	-	208744-5
$\triangle 8, \triangle 10$	.154	311P405-23P-B-15	208744-4
$\triangle 8, \triangle 10$	.120	311P405-23P-B-12	208744-3
$\triangle 7, \triangle 9$	.154	-	208744-2
$\triangle 7, \triangle 9$	.120	-	208744-1
REMARKS	ØA	GSFC P/N	PART NO.

THIS DRAWING IS A CONTROLLED DOCUMENT.

DIMENSIONS: INCHES	TOLERANCES UNLESS OTHERWISE SPECIFIED:	0 PLC ± -	1 PLC ± -	2 PLC ± -	3 PLC ± .005(0.13)	4 PLC ± ± .030'	ANGLES ± ± 0'30'
--------------------	----------------------------------------	-----------	-----------	-----------	--------------------	-----------------	------------------

MANUNATH G. M. 27-May-15  
 CHARLES THOMAS 27-May-15  
 CHARLES THOMAS 27-May-15

**STE** TE Connectivity  
 NAME: PLUG ASSEMBLY  
 AMPLIMITE 36C4  
 SIZE 5, COAX MIX  
 SIZE: A1  
 CAGE CODE: 00779  
 DRAWING NO: 208744  
 WEIGHT: -  
 CUSTOMER DRAWING  
 SCALE: 4:1  
 SHEET: 1 of 1  
 REV: P

## X-ON Electronics

Largest Supplier of Electrical and Electronic Components

*Click to view similar products for [D-Sub MIL Spec Connectors](#) category:*

*Click to view products by [TE Connectivity](#) manufacturer:*

Other Similar products are found below :

[M85049/50-5F](#) [850-056-0812](#) [1218697-4](#) [1484349-1](#) [17D25HV](#) [1996840-1](#) [243082-15](#) [1757682-1](#) [17D-E51218-1](#) [17SDA15S](#) [1883533-1](#)  
[1883886-1](#) [1883889-1](#) [192900-0377](#) [M24308/8-347](#) [M83513/03-E09C](#) [443961-3](#) [5-1218949-1](#) [550-031NF1R6K](#) [3-1236089-2](#)  
[550E001NF1R3J0L](#) [550T001NF1R6K0L](#) [557T283NF5B08](#) [DB121073-56](#) [DC121073157](#) [443869-3](#) [443869-4](#) [443869-5](#)  
[550S004NF1R1B0F03](#) [557E283NF1A06](#) [527-019NF0303R2K1F](#) [5-446405-1](#) [550-031NF1R2E](#) [550E003M2R9J0F04](#) [550E003M3R9J0F05](#)  
[550E024M104R9J0](#) [550E024NF102R3J0B](#) [550E039NF1R3J1-02](#) [550S003M3R9B0F05](#) [550S004M4R7M0F04](#) [550S004NF1R1B1F02](#)  
[550S008M3F0K0F04](#) [550S086M5R3J0L](#) [550S100NF3F0E](#) [550T001M2R7E0L](#) [550T001NF1F0B1L](#) [550T001NF1R1K0G](#)  
[550T001NF1R3K0G](#) [550T001NF1R4K0L](#) [550T001NF2R2K0L](#)