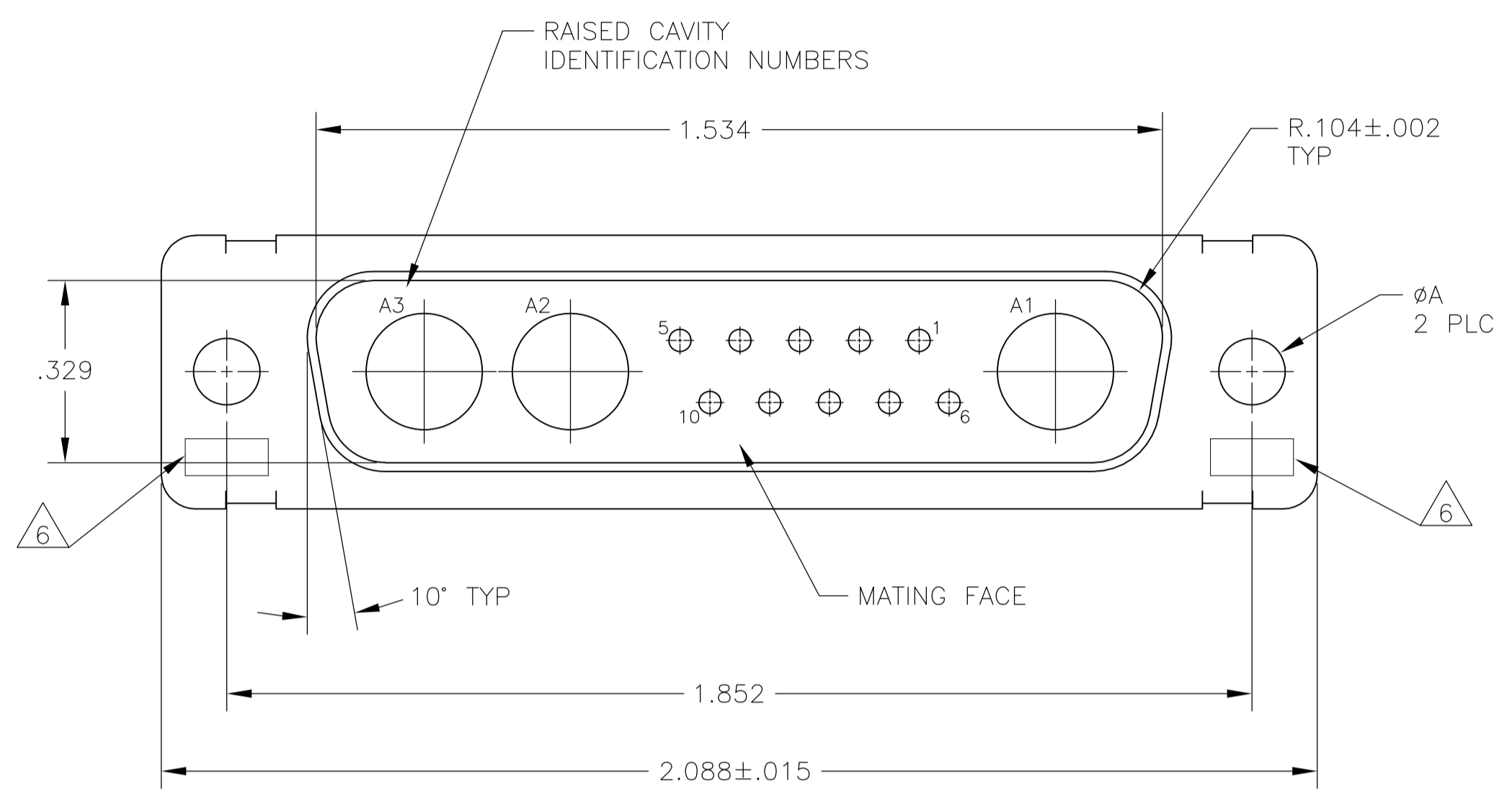
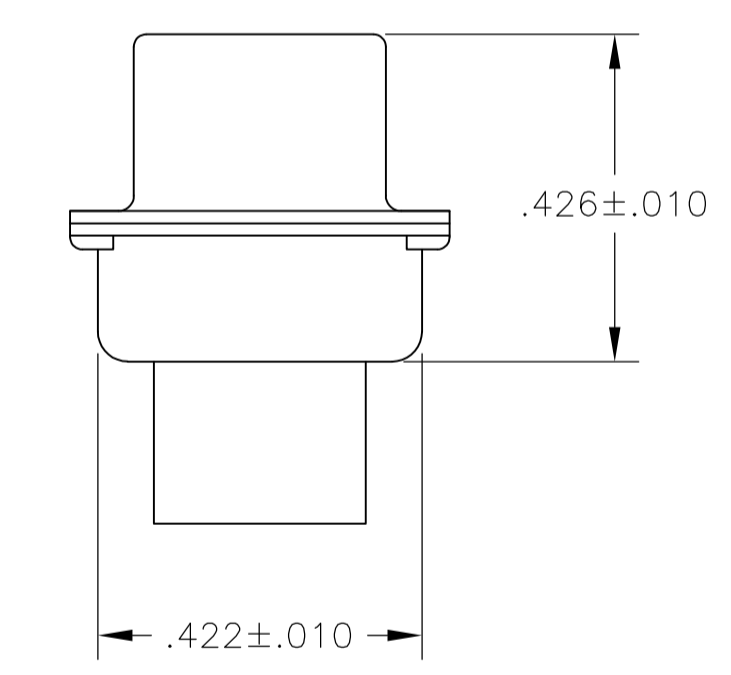
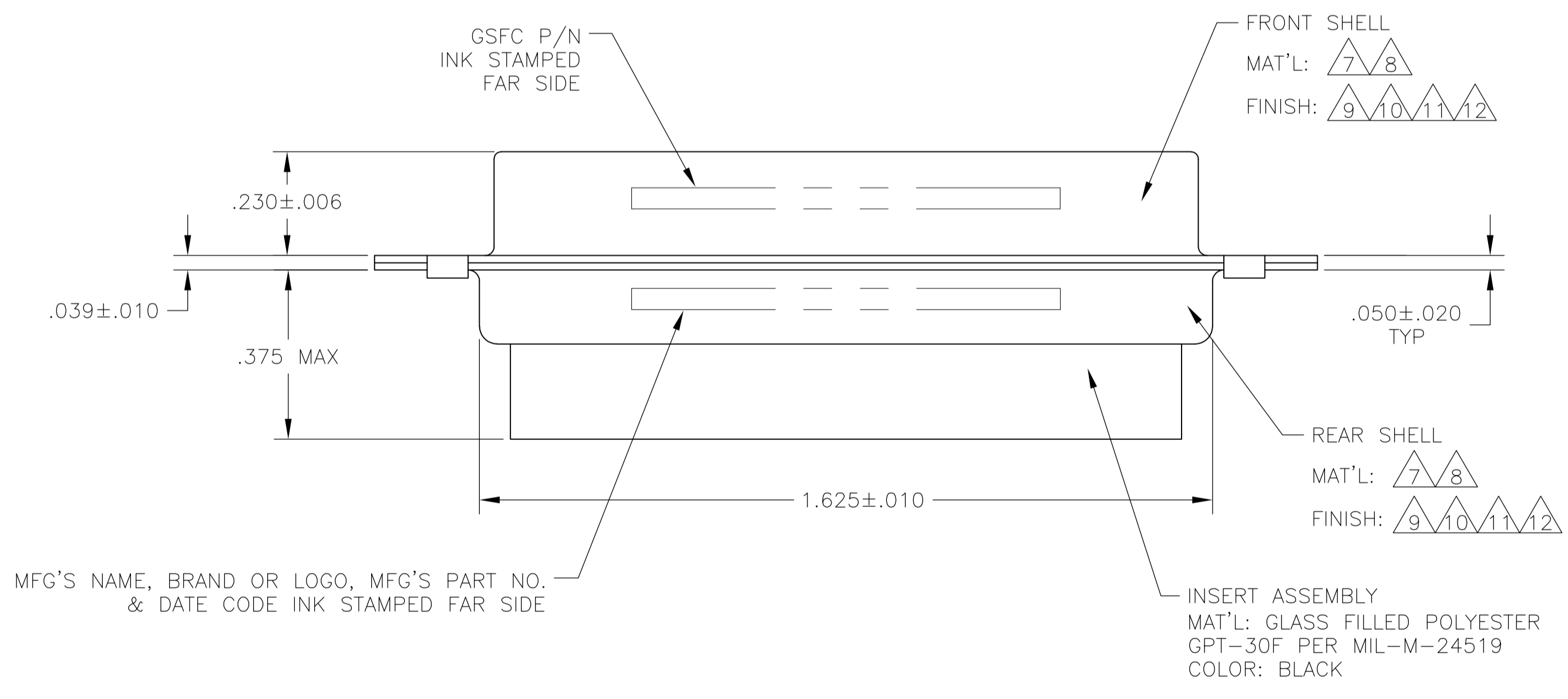


LOC		DIST		REVISIONS			
P	LTR	DESCRIPTION	DATE	DN	APVD		
S		REVISED PER ECO-15-016251	13NOV15	KG	CD		



1. THIS PLUG WILL MATE WITH ANY 13C3, SIZE 3 RECEPTACLE IN AMPLIMITE SERIES.
 2. MAXIMUM WIRE INSULATION TO BE USED WITH THIS PLUG IS $\phi.068$.
 3. THIS CONNECTOR ACCEPTS (3) POWER 8, OR COAX PIN CONTACTS IN POSITIONS A1 THRU A3, PURCHASED SEPARATELY.
 4. THIS CONNECTOR ACCEPTS SIZE 20 PIN SIGNAL CONTACTS IN POSITIONS 1 THRU 10, PURCHASED SEPARATELY.
- $\triangle 5$ GROUNDING INDENTS FOR 208810-2 & 5-208810-2 ONLY (NOT SHOWN ON DRAWING).
 $\triangle 6$ UL/CSA DESIGNATION STAMPED IN THIS AREA, OPTIONAL.
 $\triangle 7$ STEEL PER ASTM-A-109.
 $\triangle 8$ BRASS PER MIL-C-50 AND ASTM-B-36 UNS NO. C26000.
 $\triangle 9$ FINISH: TIN PER ASTM-B-545 .000400 MIN THK OVER COPPER PER AMS2418 .000050 MIN THK.
 $\triangle 10$ CADMIUM PLATED PER QQ-P-416.
 $\triangle 11$ FINISH: GOLD PLATED PER MIL-G-45204 TYPE II, GRADE C, CLASS 1 OVER COPPER PER MIL-C-14550, CLASS IV.
 $\triangle 12$ FINISH: ZINC PLATE PER ASTM-B-633, .000200-.000400 THK WITH SUPPLEMENTARY CHROMATE (Cr3+)



$\triangle 5 \triangle 7 \triangle 9$.120	-	5-208810-2
$\triangle 7 \triangle 12$.120	-	5-208810-1
$\triangle 8 \triangle 11$.154	311P405-12P-B-15	208810-4
$\triangle 8 \triangle 11$.120	311P405-12P-B-12	208810-3
$\triangle 5 \triangle 7 \triangle 9$.120	-	208810-2
$\triangle 7 \triangle 10$.120	-	208810-1
REMARKS	ϕA	GSFC P/N	MFG'S PART NO.

THIS DRAWING IS A CONTROLLED DOCUMENT.

DIMENSIONS: INCHES	TOLERANCES UNLESS OTHERWISE SPECIFIED:	DIN C.C.THOMAS 04FEB88	DRW C.C.THOMAS 04FEB88	TE Connectivity
0 PLC ± - 1 PLC ± - 2 PLC ± - 3 PLC ± .005(0.13) 4 PLC ± - ANGLES ± 0°30'	FINISH -	CHK A.FMADI 09FEB88	APVD A.FMADI 09FEB88	
MATERIAL -	FINISH -	NAME PLUG ASSEMBLY AMPLIMITE 13C3 SIZE 3, SERIES 109, COAX MIX		RESTRICTED TO -
CUSTOMER DRAWING		SCALE 4:1	SHEET 1 OF 1	REV S

X-ON Electronics

Largest Supplier of Electrical and Electronic Components

Click to view similar products for [D-Sub Mixed Contact Connectors](#) category:

Click to view products by [TE Connectivity](#) manufacturer:

Other Similar products are found below :

[173114-0234](#) [790-025SF-5P5NMN](#) [790-025SJ-7P7NML](#) [DBM9W4SN](#) [9030M2MAT99X90X](#) [L717TWB5W5P3R](#) [L717TWB5W5PA514](#)
[L717TWB5W5PRM84](#) [L717TWP3W3P](#) [3003W3PXX56N40X](#) [3005W5PXX99A30X](#) [3005W5PXX99E40X](#) [3005W5SXX99A30X](#)
[3007W2SCT56N40X](#) [3013W3SCM99A10X](#) [3017W2SCT56N40X](#) [3036W4PCM41A10X](#) [3036W4SCM99A10X](#) [FCE17-E2W2SS-2N0](#)
[212522-7](#) [3003W3PXX43A10X](#) [3003W3SXX56N40X](#) [3005W5PXX49E40X](#) [3005W5PXX88N40X](#) [3007W2PAR71E20X](#)
[3008W8SXX57A30X](#) [3009W4PCT57P20X](#) [3011W1SXX99A10X](#) [3013W6SXX99A10X](#) [3017W2PAR69E20X](#) [3017W2SAR69C40X](#)
[3024W7SCM99A10X](#) [302W2CPXX56N40X](#) [3043W2SAR71E40X](#) [321WA4PXX99A60X](#) [321WA4SCT56N40X](#) [3F3SSC22S41A30X](#)
[5604805](#) [L717TWA7W2PP2SY3R](#) [DBM9W4PN](#) [421WA4PCR50E20X](#) [09691009009](#) [09691100022500](#) [09693009176](#) [09692009147](#)
[09693909015](#) [6017W2PCM41B30X](#) [790-044SE-7P3MNPB](#) [790-043PE-11P2MPA](#) [790-043PB-2P2MPB](#)