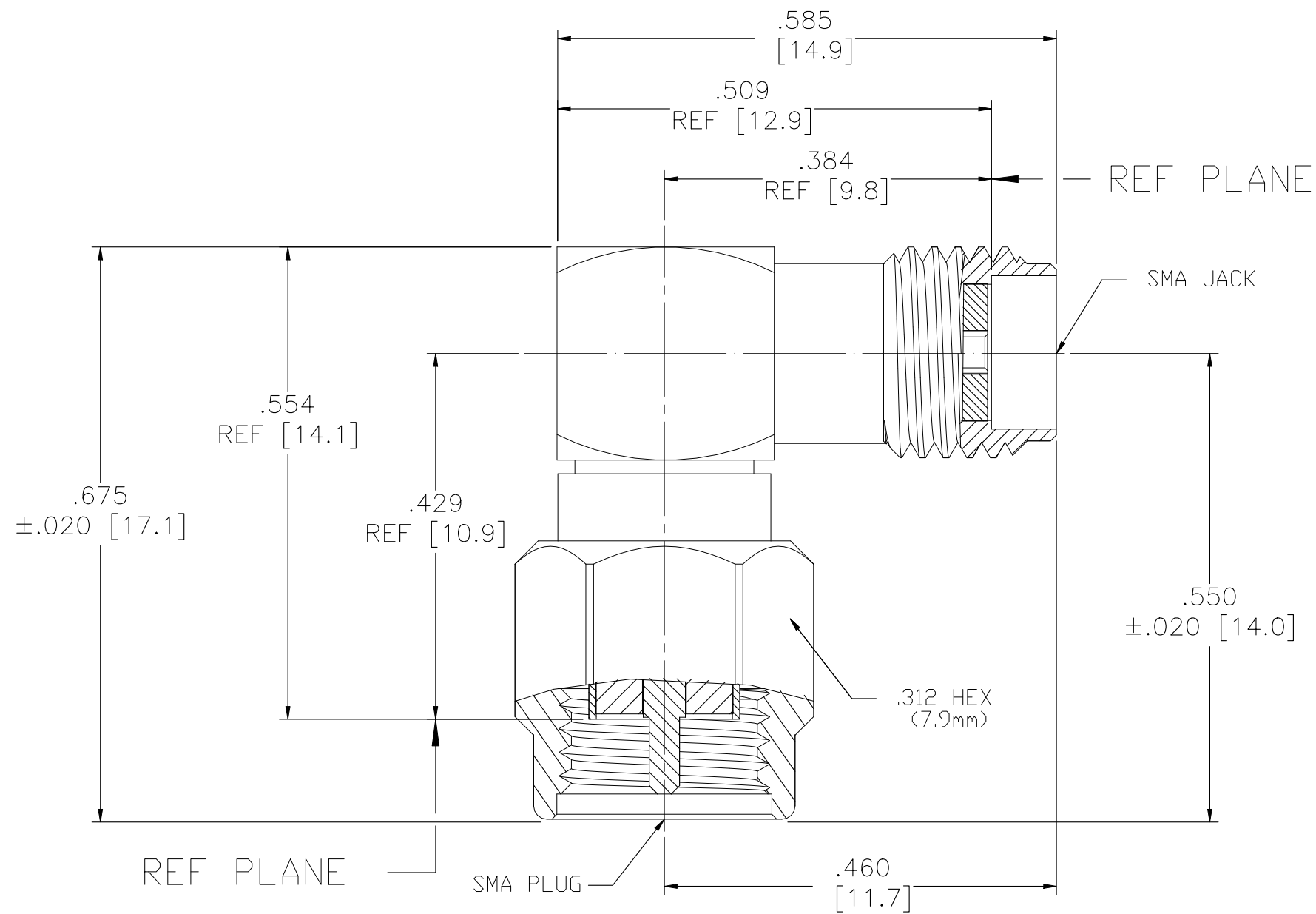


© - TE Connectivity. All Rights Reserved.

REVISIONS

P	LTR	DESCRIPTION	DATE	DWN	APVD
	B1	REVISED PER ECR-21-103794	03JUN2021	RS	WK



ELECTRICAL	
Nominal Impedance (Ohms)	50
Frequency Range (GHz) DC to	18
Volt Rating (VRMS MAX) @ Sea Level	335
VSWR	1.15 + .015(fGHz)
Insertion Loss (dB MAX) .06√f(GHz)	
RF Leakage (dB MIN) -90-f(GHz)	
Corona, 70,000 Ft (VRMS MIN)	250
Dielectric Withstanding Voltage (VRMS MIN) @ Sea Level	1000
Contact Resistance (Milliohms MAX) Center Contact	2
Outer Contact	2
Cable to Housing	N/A
RF High Potential @ Sea Level (VRMS MIN @ 5 MHz)	670
I.R.(Megohms MIN)	10,000

MECHANICAL	
Interface Dimensions MIL-STD-348A, Fig. 310.1,.2	
Recommended Mating Torque	7 to 10
Mating Characteristics:	
Insertion (MAX Lbs)	3
Withdrawal (MIN Oz)	1
Force to Engage and Disengage (In-Lbs MAX)	2
Center Contact Captivation Axial (Lbs)	6
Radial (In-Oz)	4
Cable Retention Axial Force (Lbs)	N/A
Torque (In-Oz)	N/A
Weight (Grams)	TBD

ENVIRONMENTAL	
TEMPERATURE RATING	-65°C TO +125°C
Vibration MIL-STD-202, Method 204, Condition D	
Shock MIL-STD-202, Method 213, Condition I	
Thermal Shock MIL-STD-202, Method 107, Condition B, Except High Temp	
Moisture Resistance MIL-STD-202, Method 106	
Corrosion - MIL-STD-202, Method 101, Condition B, 5% salt spray	

.XXX = in
 XX.X = mm

THIS DRAWING IS A CONTROLLED DOCUMENT.

DIMENSIONS:	TOLERANCES UNLESS OTHERWISE SPECIFIED:
INCHES	
0 PLC	± -
1 PLC	± -
2 PLC	± -
3 PLC	± -
4 PLC	± -
ANGLES	± -
FINISH	

QUANTITY PER ASSY	PARTS LIST
1	PASSIVATE STAINLESS STEEL CAP 7
1	- SILICONE RUBBER GASKET 6
1	- BeCu RETAINING RING 5
1	PASSIVATE STAINLESS STEEL COUPLING NUT 4
1	PASSIVATE STAINLESS STEEL HOUSING 3
1	- PTFE INSULATION 2
1	Au BeCu CENTER CONTACT 1
-1	PLATING MATERIAL DESCRIPTION ITEM

STE TE Connectivity

SMA RIGHT ANGLE PLUG TO JACK ADAPTER (2088-1230-02)

APVD: G.BEERS 8/18/81, RMF 8/21/81, JS 8/21/81

SIZE: A3, CAGE CODE: 00779, DRAWING NO: C-1055070

SCALE: 6:1, SHEET: 1 OF 1, REV: B1

X-ON Electronics

Largest Supplier of Electrical and Electronic Components

Click to view similar products for [RF Adapters - In Series](#) category:

Click to view products by [TE Connectivity](#) manufacturer:

Other Similar products are found below :

[5916-1103-603](#) [5919-1503-000](#) [651A505](#) [82-5552](#) [9030-9523-502](#) [PN2C](#) [A0407000](#) [R114703000W](#) [R125771001](#) [R141710000W](#)
[R141723161](#) [R141730000](#) [R143730700](#) [R143770000](#) [R161703000W](#) [R161753000W](#) [R161791530W](#) [R201705000](#) [R222705200](#)
[R222M40010W](#) [R223703180](#) [R316754000](#) [R405006000](#) [R443162000](#) [AD78TL](#) [HRM-513S](#) [1996352-2](#) [2157155-1](#) [252169-75](#) [AD158](#)
[2101130-1](#) [252186](#) [R114704000W](#) [R114720000W](#) [R125705001](#) [R125705701](#) [R125771000](#) [R125771001W](#) [R127704001](#) [R127.870.001](#)
[R127872001](#) [R141717000](#) [R142710000](#) [R142723000](#) [R143703000](#) [R143704000](#) [R143705700](#) [R161715000W](#) [R161771000W](#) [R176754000](#)