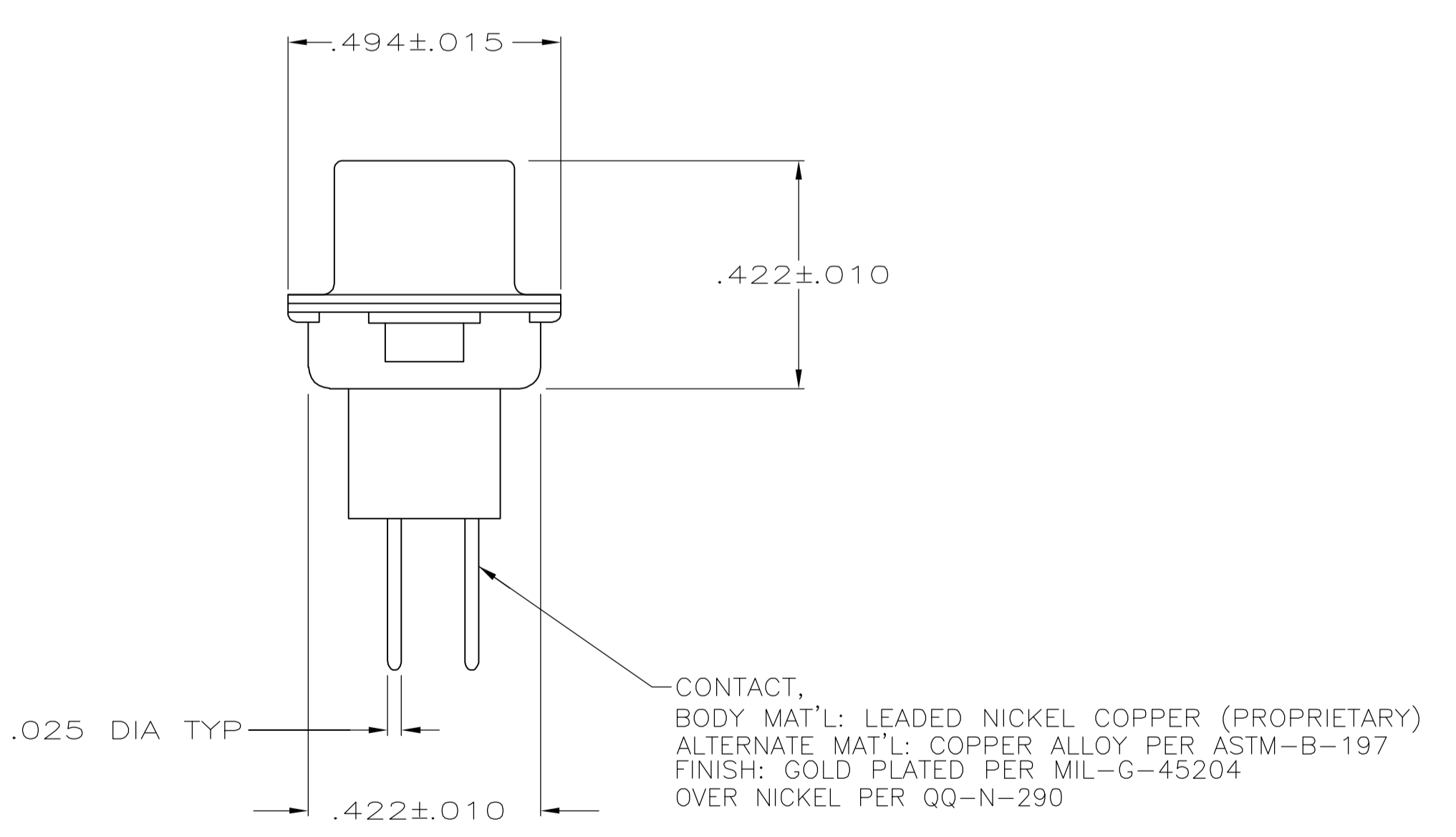
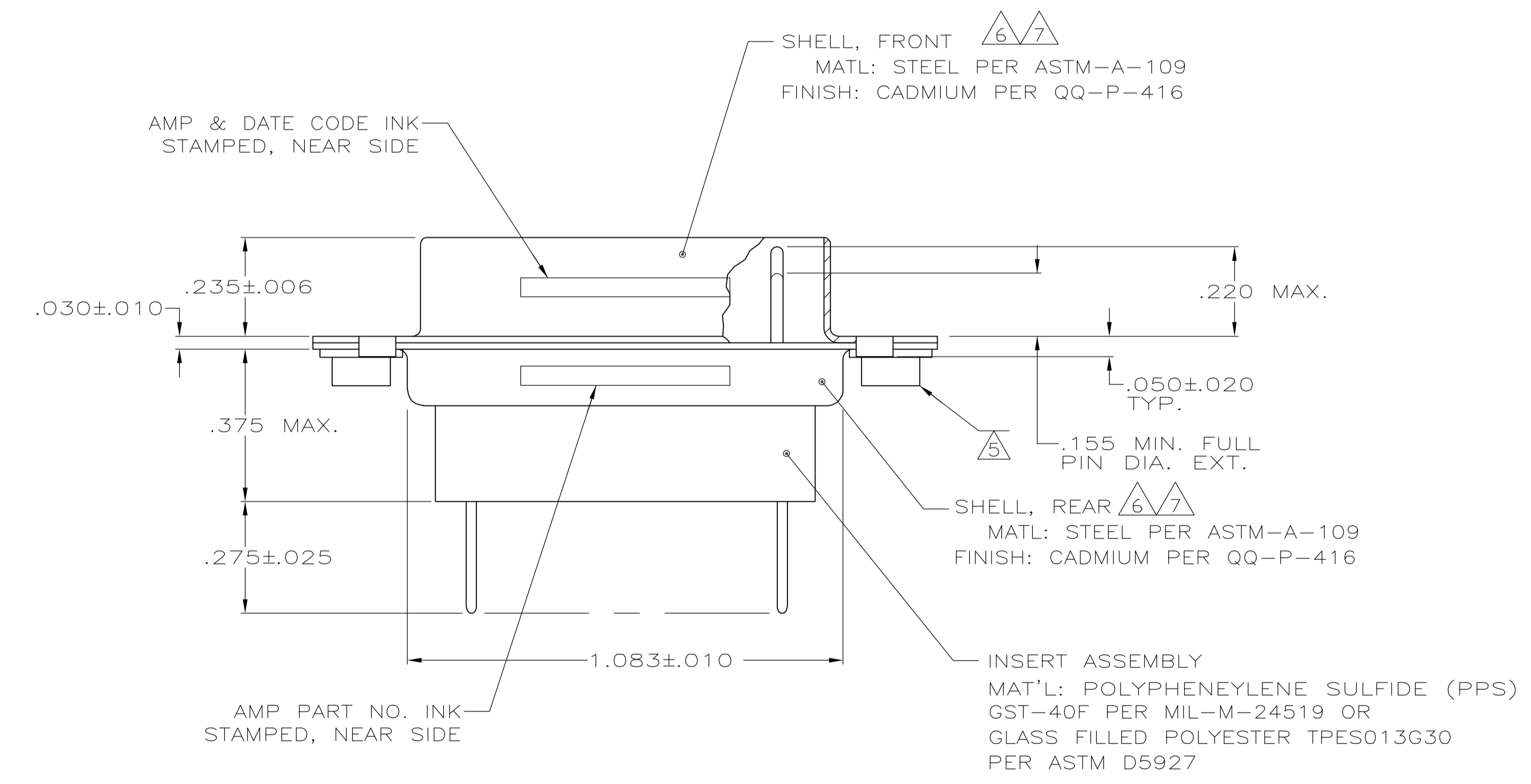
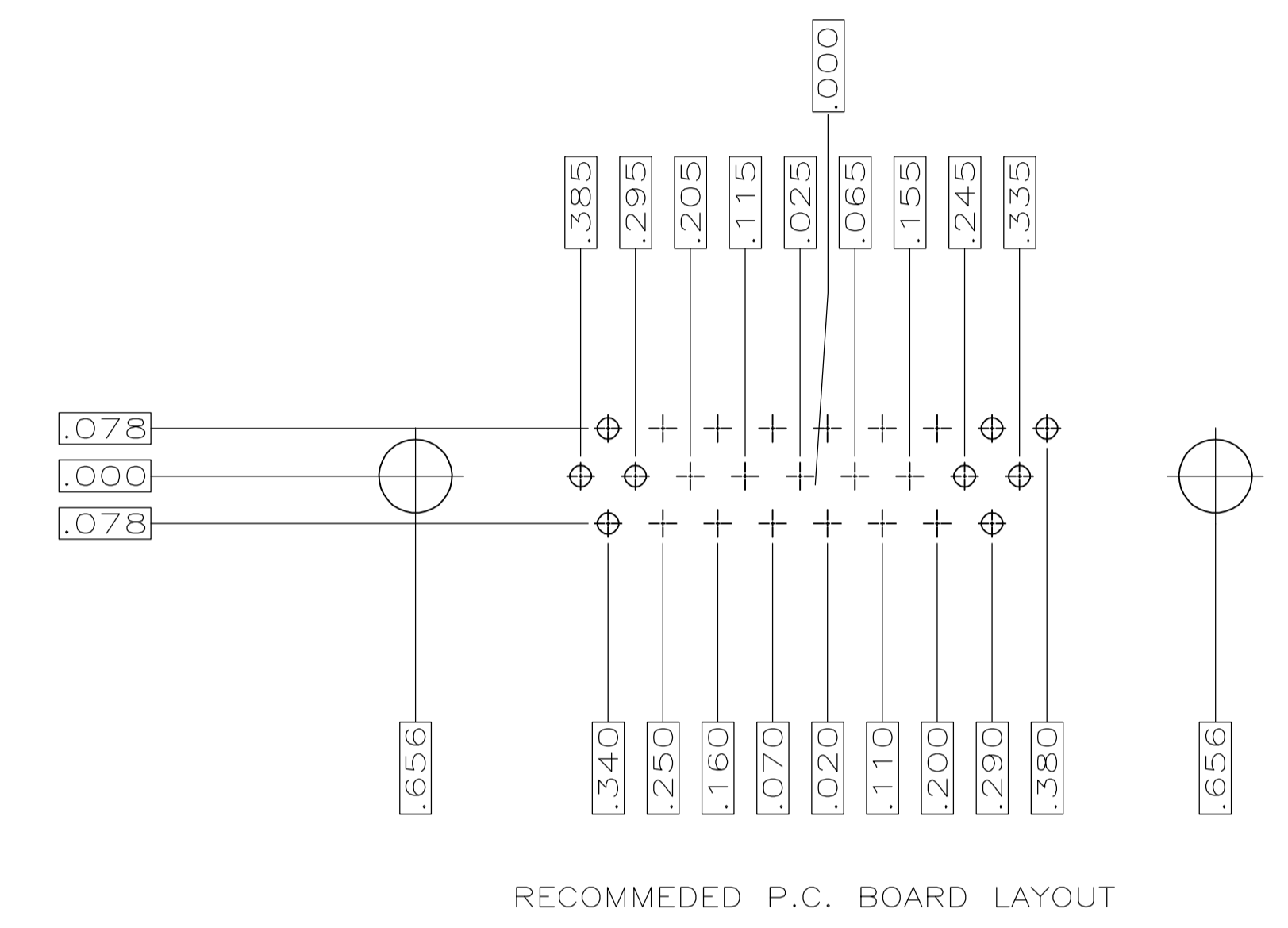
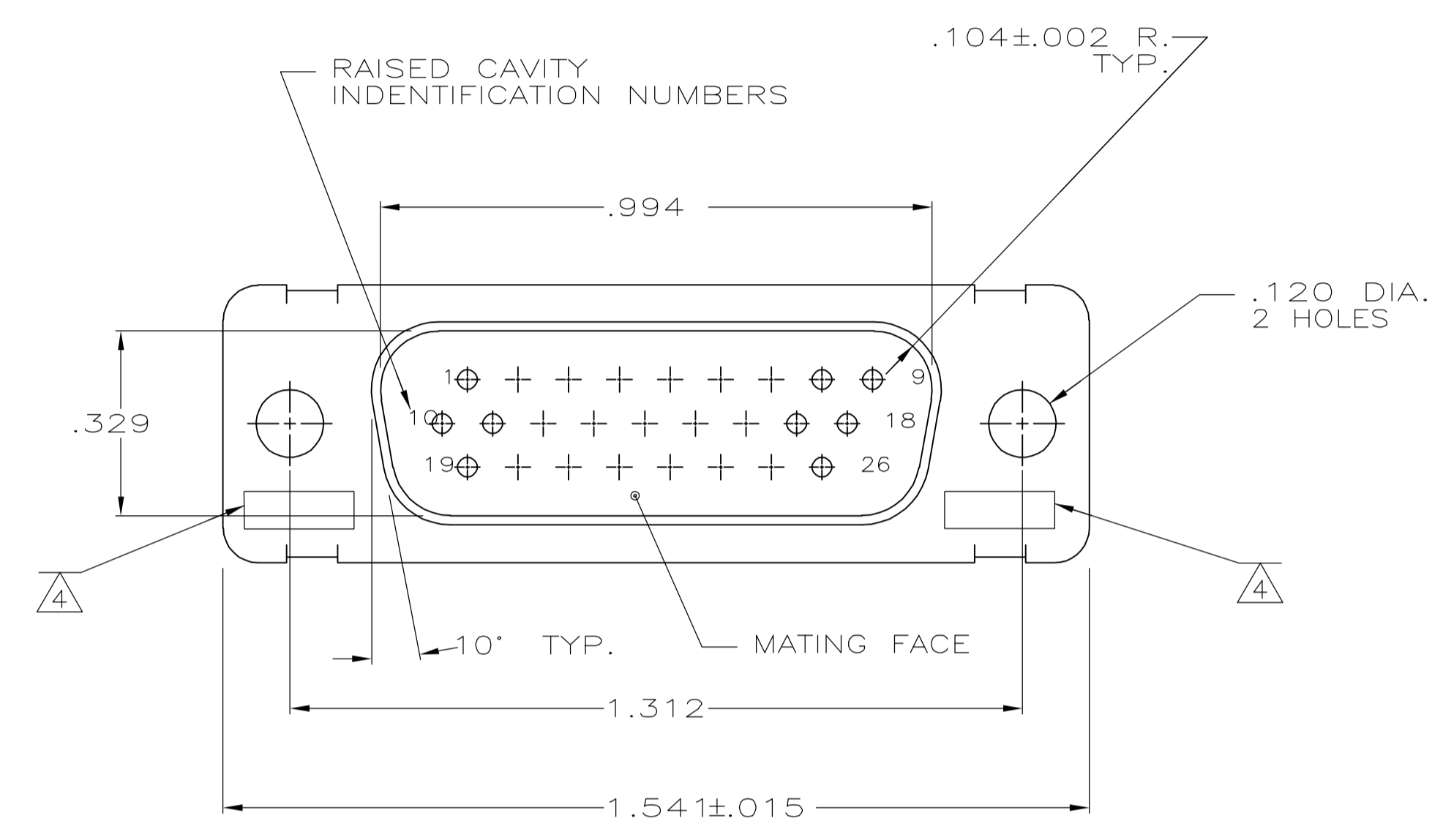


LOC	DIST	REVISIONS				
DF	DO	REV	DESCRIPTION	DATE	BY	APPV
		K	REV PER ECO-06-005876	10APR06	TK	CT

- .040 DIA HOLE IS RECOMMENDED FOR P.C. BOARD.
- CONNECTOR MATES WITH ANY AMP 26 POSN RECEPTACLE.
- REPLACEMENT PIN AMP# 207683-8.
- UL/CSA DESIGNATION STAMPED IN THIS AREA.
- CLINCH NUT (2 EA) IS USED ON 208867-2 ONLY.
- CADMIUM PER QQ-P-416.
- FINISH: ZINC PER ASTM-B-633 .000200-.000400 THK WITH SUPPLEMENTARY CHROMATE (Cr3+).



REMARKS	PART NO
7	5-208867-1
6 5	208867-2
6	208867-1

THIS DRAWING IS A CONTROLLED DOCUMENT.

DIMENSIONS: INCHES	TOLERANCES UNLESS OTHERWISE SPECIFIED:	DIN C.C.THOMAS 1-7-88	1-26-88	tyco Electronics	Tyco Electronics Corporation Harrisburg, PA 17105-3608
0 PLC ± -	1 PLC ± -	2 PLC ± -	3 PLC ± .005	4 PLC ± -	ANGLES ± -
MATERIAL SEE CALLOUTS	FINISH SEE CALLOUTS	WEIGHT -	SIZE A1	CAGE CODE 00779	DRAWING NO C=208867
CUSTOMER DRAWING			SCALE 4:1	SHEET 1 OF 1	REV K

## X-ON Electronics

Largest Supplier of Electrical and Electronic Components

*Click to view similar products for [D-Sub MIL Spec Connectors](#) category:*

*Click to view products by [TE Connectivity](#) manufacturer:*

Other Similar products are found below :

[M24308/4-13Z](#) [M8351307-B](#) [D38999/24WE6SD](#) [D38999/24WG11PB-LC](#) [MDM-21SH003B-K139](#) [1218697-4](#) [MS27467T21F41S](#)  
[MS27468T21F11P](#) [MS27468T21F11S](#) [17D25HV](#) [1996840-1](#) [243082-15](#) [1663962-1](#) [1757682-1](#) [17D-E51218-1](#) [17SDA15S](#) [1883533-1](#)  
[1883886-1](#) [1883889-1](#) [192900-0377](#) [M24308/2-3Z](#) [M24308/4-3Z](#) [M24308/4-4F](#) [M24308/4-4Z](#) [M83513/03-E09C](#) [M83723/75W2212N L/C](#)  
[D38999/24FJ29PN-LC](#) [D38999/24WG11SB-LC](#) [5-1218949-1](#) [550-031NF1R6K](#) [550E001NF1R3J0L](#) [550T001NF1R6K0L](#) [C115368-1612B](#)  
[C115370-1717B](#) [DC121073157](#) [443869-3](#) [443869-4](#) [443869-5](#) [550S004NF1R1B0F03](#) [550-031NF1R2E](#) [550E003M2R9J0F04](#)  
[550E003M3R9J0F05](#) [550E024M104R9J0](#) [550E024NF102R3J0B](#) [550E039NF1R3J1-02](#) [550S003M3R9B0F05](#) [550S004M4R7M0F04](#)  
[550S004NF1R1B1F02](#) [550S086M5R3J0L](#) [550S100NF3F0E](#)