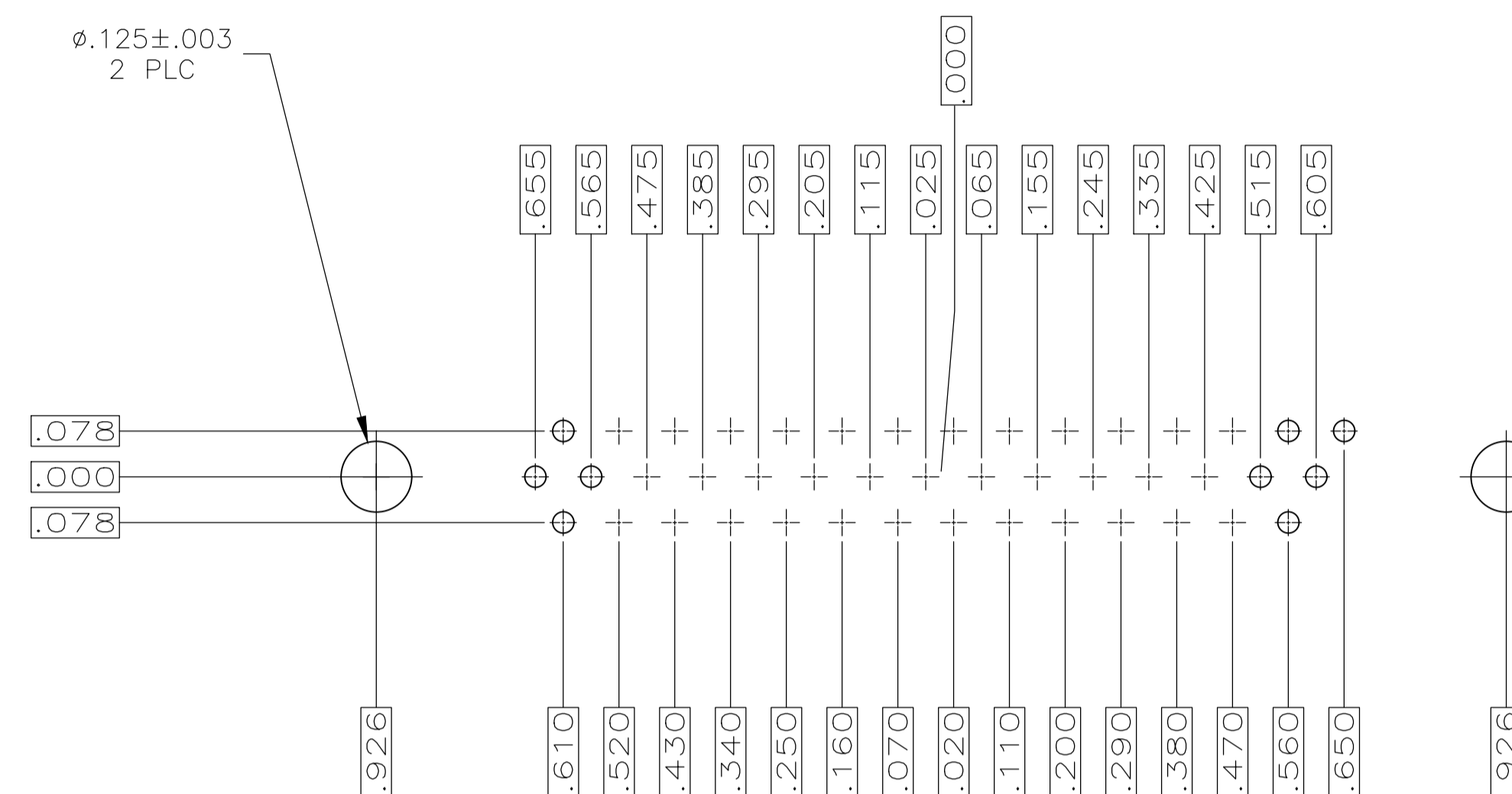
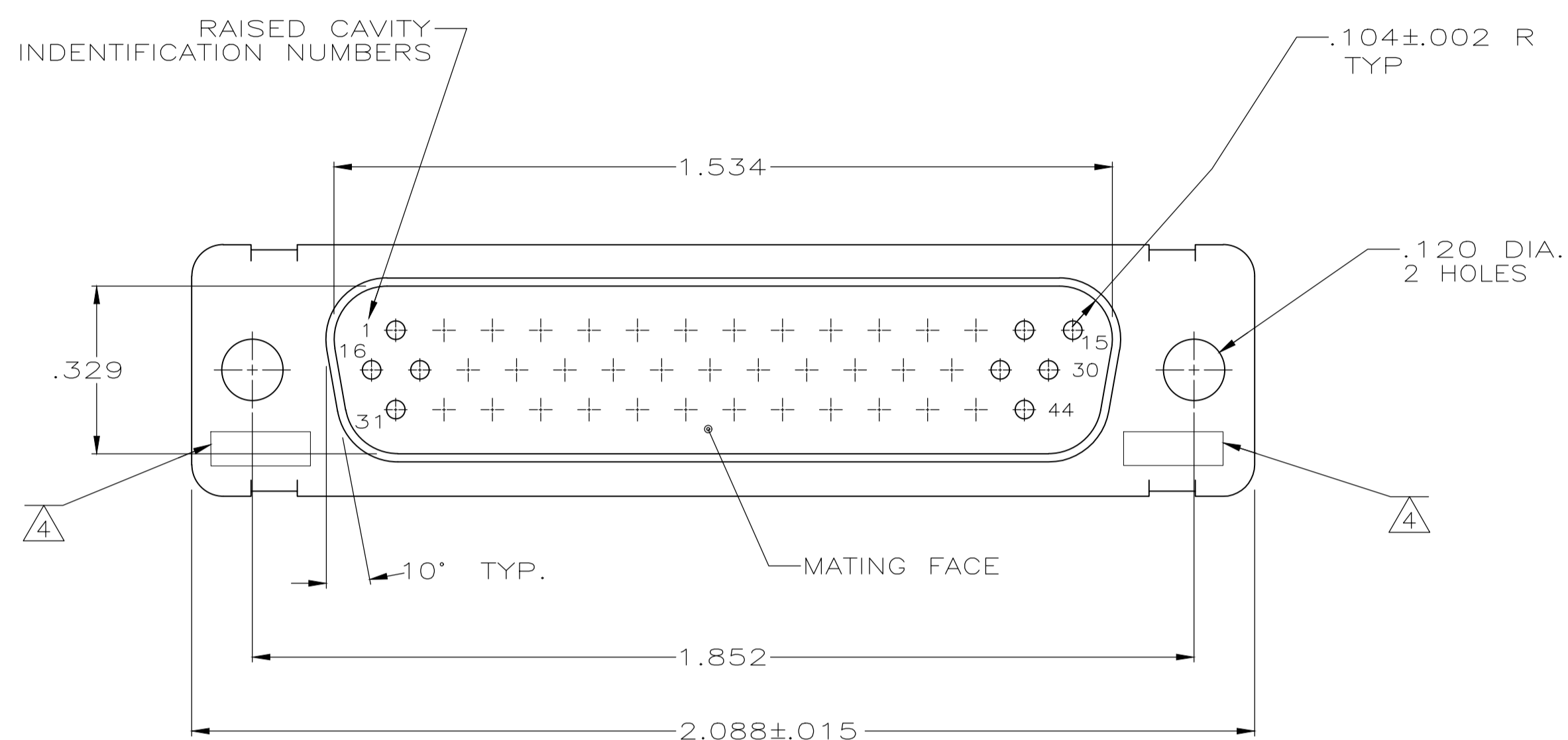
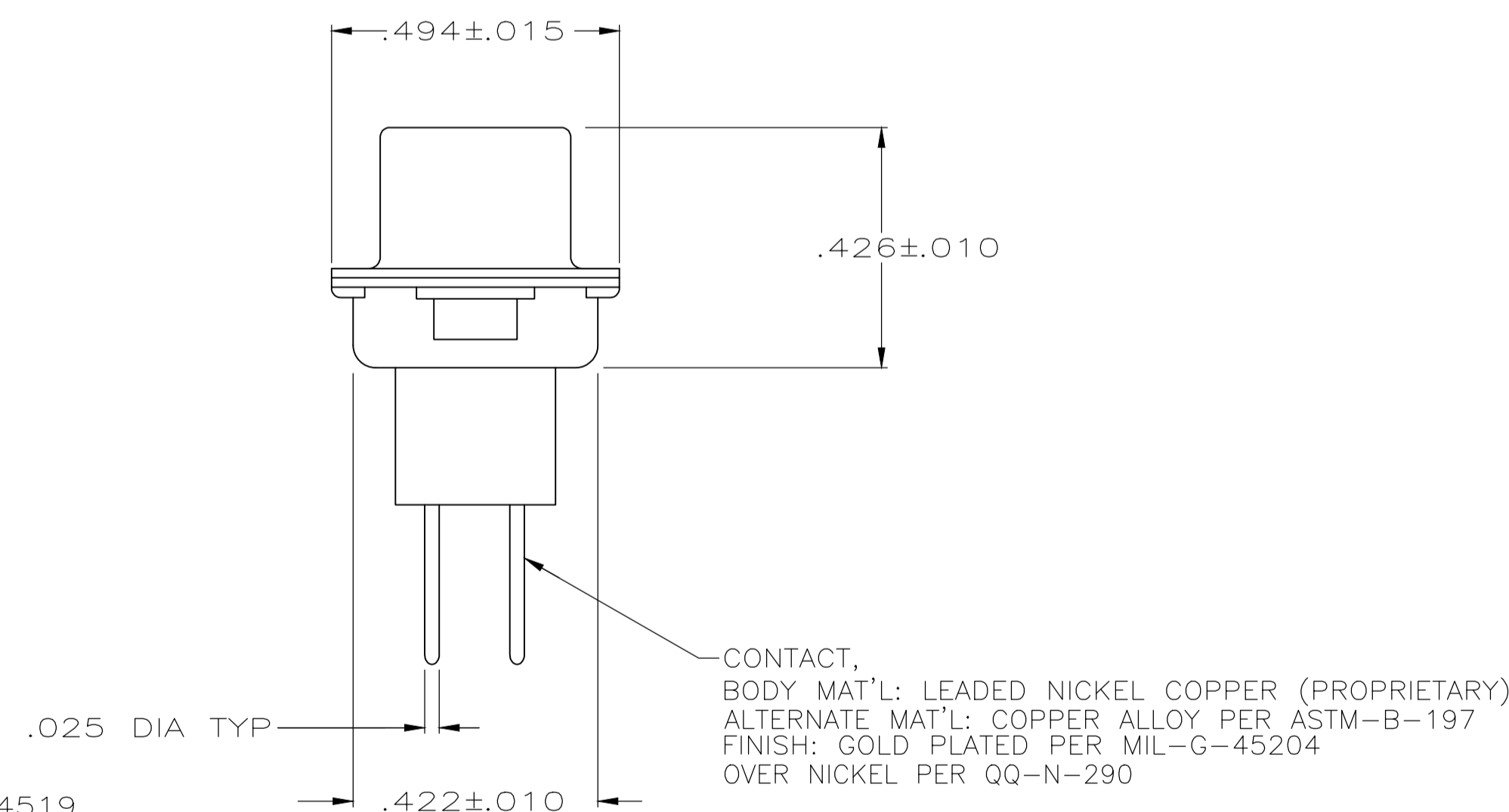
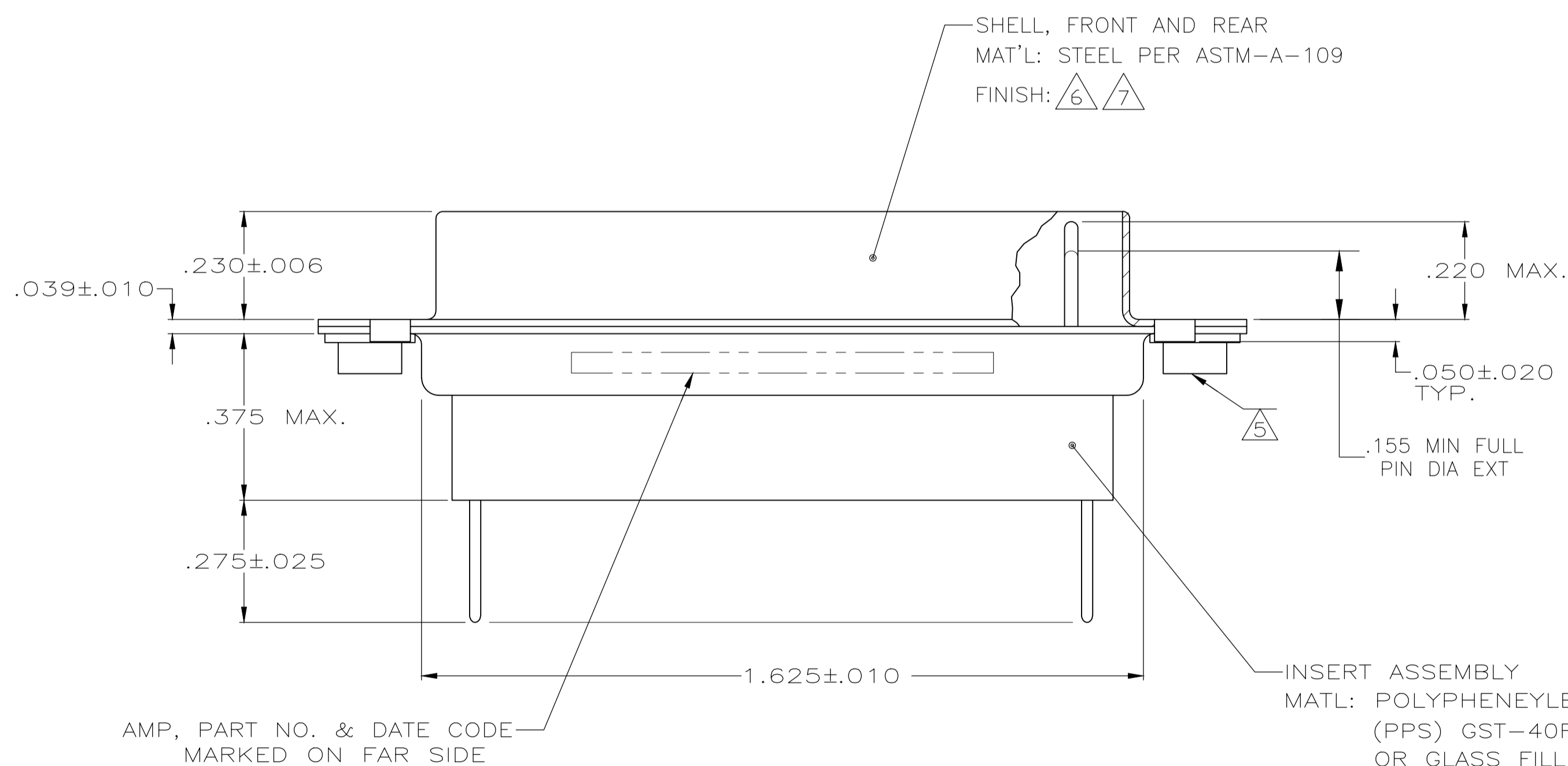


REVISIONS					
P	LTR	DESCRIPTION	DATE	DMN	APVD
M		REVISED PER ECO 20-005651	8-11-20	CT	DM



RECOMMENDED P.C. BOARD LAYOUT



- .040 DIA HOLE IS RECOMMENDED FOR P.C. BOARD
- CONNECTOR MATES WITH ANY AMP 44 POSN RECEPTACLE
- REPLACEMENT PIN AMP# 207683-8
- UL/CSA DESIGNATION STAMPED IN THIS AREA.
- CLINCH NUT(QTY = 2) IS USED ON 208868-3 ONLY.
- FINISH: CADMIUM PER QQ-P-416
- FINISH: ZINC PLATED PER ASTM-B-633, .000200-.000400 THK WITH SUPPLEMENTARY CHROMATE (Cr3+)

PLATED PER 7	5-208868-1
5, PLATED PER 6	208868-3
PLATED PER 6	208868-2
PLATED PER 6	208868-1
DESCRIPTION	PART NO.

THIS DRAWING IS A CONTROLLED DOCUMENT.		DIN C.C.THOMAS 1-7-88	
DIMENSIONS: INCHES		CHK F.C.BALLEW III 1-26-88	
TOLERANCES UNLESS OTHERWISE SPECIFIED:		APVD F.C.BALLEW III 1-26-88	
0 PLC ± .005		NAME	
1 PLC ± .005		PRODUCT SPEC	
2 PLC ± .005		APPLICATION SPEC	
3 PLC ± .005		SIZE	
4 PLC ± .005		CAGE CODE	
ANGLES ± .005		DRAWING NO	
FINISH SEE CALLOUTS		RESTRICTED TO	
MATERIAL SEE CALLOUTS		WEIGHT 0.000000	
		A1 00779 C=208868	
		CUSTOMER DRAWING	
		SCALE 4:1 SHEET 1 OF 1 REV M	

X-ON Electronics

Largest Supplier of Electrical and Electronic Components

Click to view similar products for [D-Sub MIL Spec Connectors](#) category:

Click to view products by [TE Connectivity](#) manufacturer:

Other Similar products are found below :

[M85049/50-5F](#) [D38999/24WG11PB-LC](#) [MDM-9SH006A](#) [1218697-4](#) [D38999/26WJ61PC L/C](#) [1484349-1](#) [17D25HV](#) [1996840-1](#) [243082-15](#)
[1757682-1](#) [17D-E51218-1](#) [17SDA15S](#) [1883533-1](#) [1883886-1](#) [1883889-1](#) [192900-0377](#) [M24308/8-347](#) [M83513/03-E09C](#) [443961-3](#) [5-](#)
[1218949-1](#) [550-031NF1R6K](#) [3-1236089-2](#) [550E001NF1R3J0L](#) [550T001NF1R6K0L](#) [557T283NF5B08](#) [DB121073-56](#) [DC121073157](#)
[443869-3](#) [443869-4](#) [443869-5](#) [550S004NF1R1B0F03](#) [557E283NF1A06](#) [527-019NF0303R2K1F](#) [5-446405-1](#) [550-031NF1R2E](#)
[550E003M2R9J0F04](#) [550E003M3R9J0F05](#) [550E024M104R9J0](#) [550E024NF102R3J0B](#) [550E039NF1R3J1-02](#) [550S003M3R9B0F05](#)
[550S004M4R7M0F04](#) [550S004NF1R1B1F02](#) [550S008M3F0K0F04](#) [550S086M5R3J0L](#) [550S100NF3F0E](#) [550T001M2R7E0L](#)
[550T001NF1F0B1L](#) [550T001NF1R1K0G](#) [550T001NF1R3K0G](#)