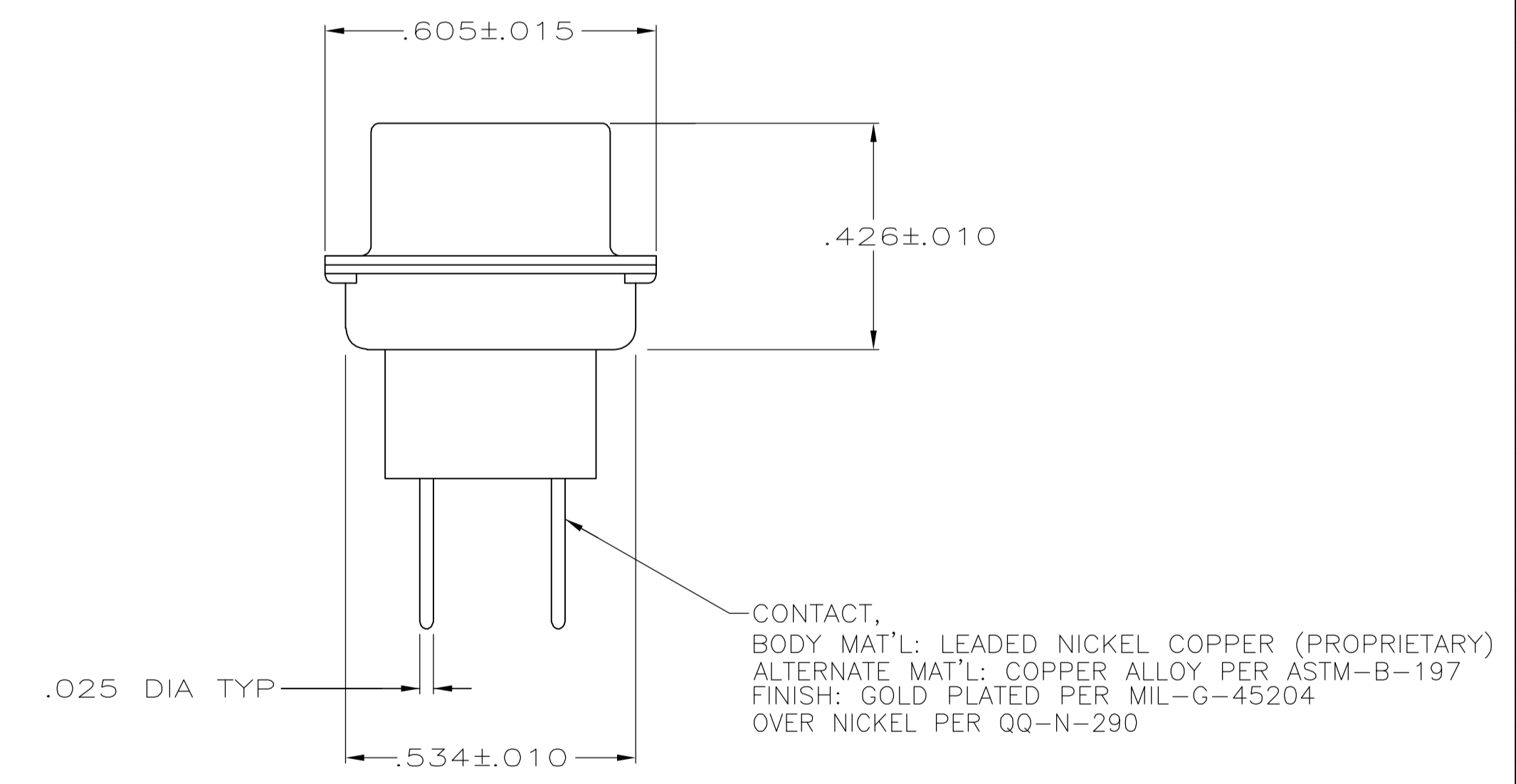
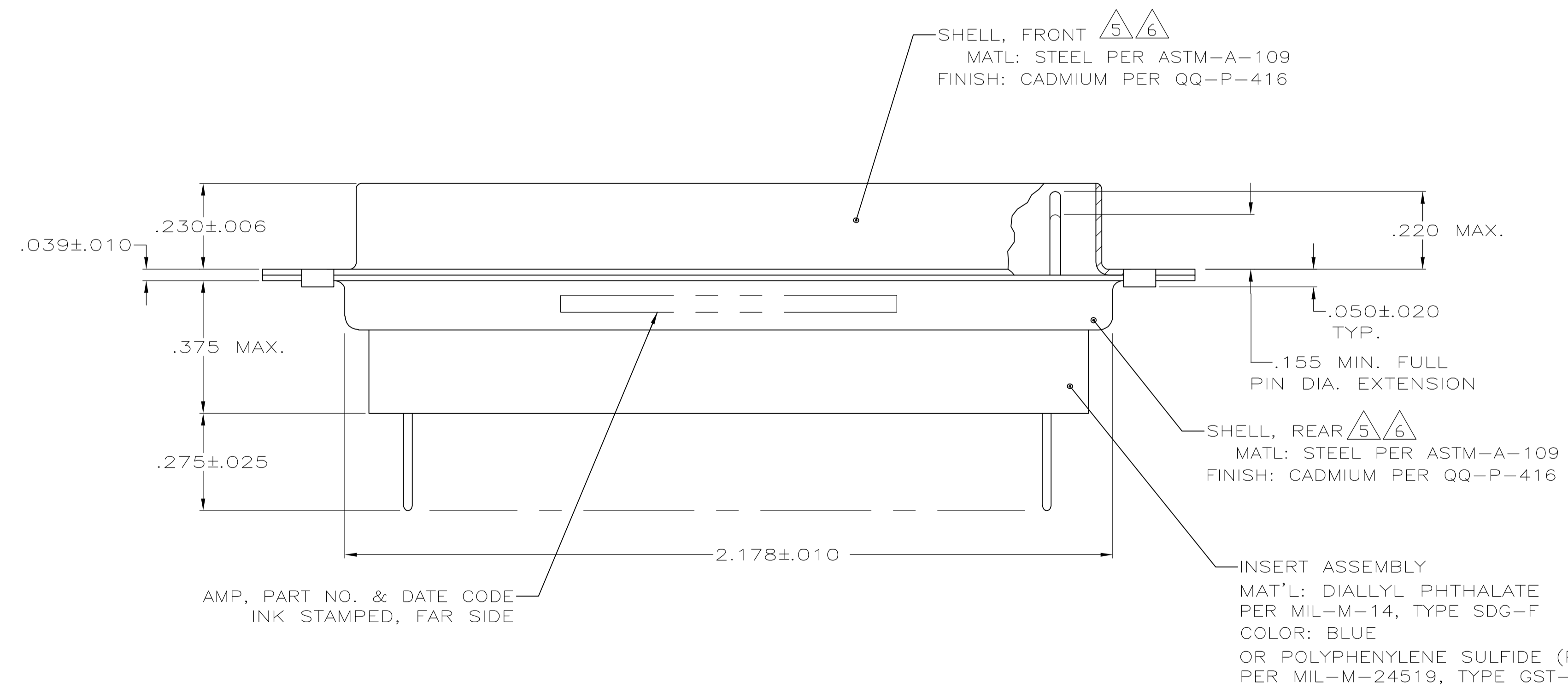


RECOMMENDED P.C. BOARD LAYOUT



- .040 DIA HOLE IS RECOMMENDED FOR P.C. BOARD.
  - CONNECTOR MATES WITH ANY AMP 78 POSN RECEPTACLE.
  - REPLACEMENT CONTACT AMP# 207683-8.
- $\triangle 4$  UL/CSA DESIGNATION STAMPED IN THIS AREA.
- $\triangle 5$  CADMIUM PER QQ-P-416.
- $\triangle 6$  FINISH: ZINC PER ASTM-B-633 .000200-.000400 THK WITH SUPPLEMENTARY CHROMATE (Cr3+).

|               |            |
|---------------|------------|
| $\triangle 6$ | 5-208870-1 |
| $\triangle 5$ | 208870-1   |
| REMARKS       | PART NO    |

|  |  |                           |  |
|--|--|---------------------------|--|
| THIS DRAWING IS A CONTROLLED DOCUMENT. |  | DIN<br>C.C.THOMAS 1-12-88 | <p>Tyco Electronics Corporation<br/>         Harrisburg, PA 17105-3608</p>   |
| DIMENSIONS: INCHES                     |  | CHK<br>F.C.BALLEW III     |  |
| TOLERANCES UNLESS OTHERWISE SPECIFIED: |  | APVD                      | NAME   |
| 0 PLC ± -                              |  | PRODUCT SPEC              | AMPLIMITE 78 POSN. PLUG ASSY., WITH LOADED POSTED CONTACTS SIZE 5, SERIES 90 |
| 1 PLC ± -                              |  | APPLICATION SPEC          | SIZE   |
| 2 PLC ± .005                           |  | WEIGHT                    | CAGE CODE  |
| 3 PLC ± -                              |  | CUSTOMER DRAWING          | DRAWING NO   |
| 4 PLC ± -                              |  | SCALE                     | RESTRICTED TO  |
| ANGLES ± -                             |  | 4:1                       | 1 OF 1   |
| FINISH SEE CALLOUTS                    |  | SHEET                     | REV  |
| MATERIAL SEE CALLOUTS                  |  | 1                         | J  |

## X-ON Electronics

Largest Supplier of Electrical and Electronic Components

*Click to view similar products for [D-Sub MIL Spec Connectors](#) category:*

*Click to view products by [TE Connectivity](#) manufacturer:*

Other Similar products are found below :

[M85049/50-5F](#) [D38999/24WG11PB-LC](#) [MDM-9SH006A](#) [1218697-4](#) [D38999/26WJ61PC L/C](#) [1484349-1](#) [17D25HV](#) [1996840-1](#) [243082-15](#)  
[1757682-1](#) [17D-E51218-1](#) [17SDA15S](#) [1883533-1](#) [1883886-1](#) [1883889-1](#) [192900-0377](#) [M24308/8-347](#) [M83513/03-E09C](#) [443961-3](#) [5-](#)  
[1218949-1](#) [550-031NF1R6K](#) [3-1236089-2](#) [550E001NF1R3J0L](#) [550T001NF1R6K0L](#) [557T283NF5B08](#) [DB121073-56](#) [DC121073157](#)  
[443869-3](#) [443869-4](#) [443869-5](#) [550S004NF1R1B0F03](#) [557E283NF1A06](#) [527-019NF0303R2K1F](#) [5-446405-1](#) [550-031NF1R2E](#)  
[550E003M2R9J0F04](#) [550E003M3R9J0F05](#) [550E024M104R9J0](#) [550E024NF102R3J0B](#) [550E039NF1R3J1-02](#) [550S003M3R9B0F05](#)  
[550S004M4R7M0F04](#) [550S004NF1R1B1F02](#) [550S008M3F0K0F04](#) [550S086M5R3J0L](#) [550S100NF3F0E](#) [550T001M2R7E0L](#)  
[550T001NF1F0B1L](#) [550T001NF1R1K0G](#) [550T001NF1R3K0G](#)