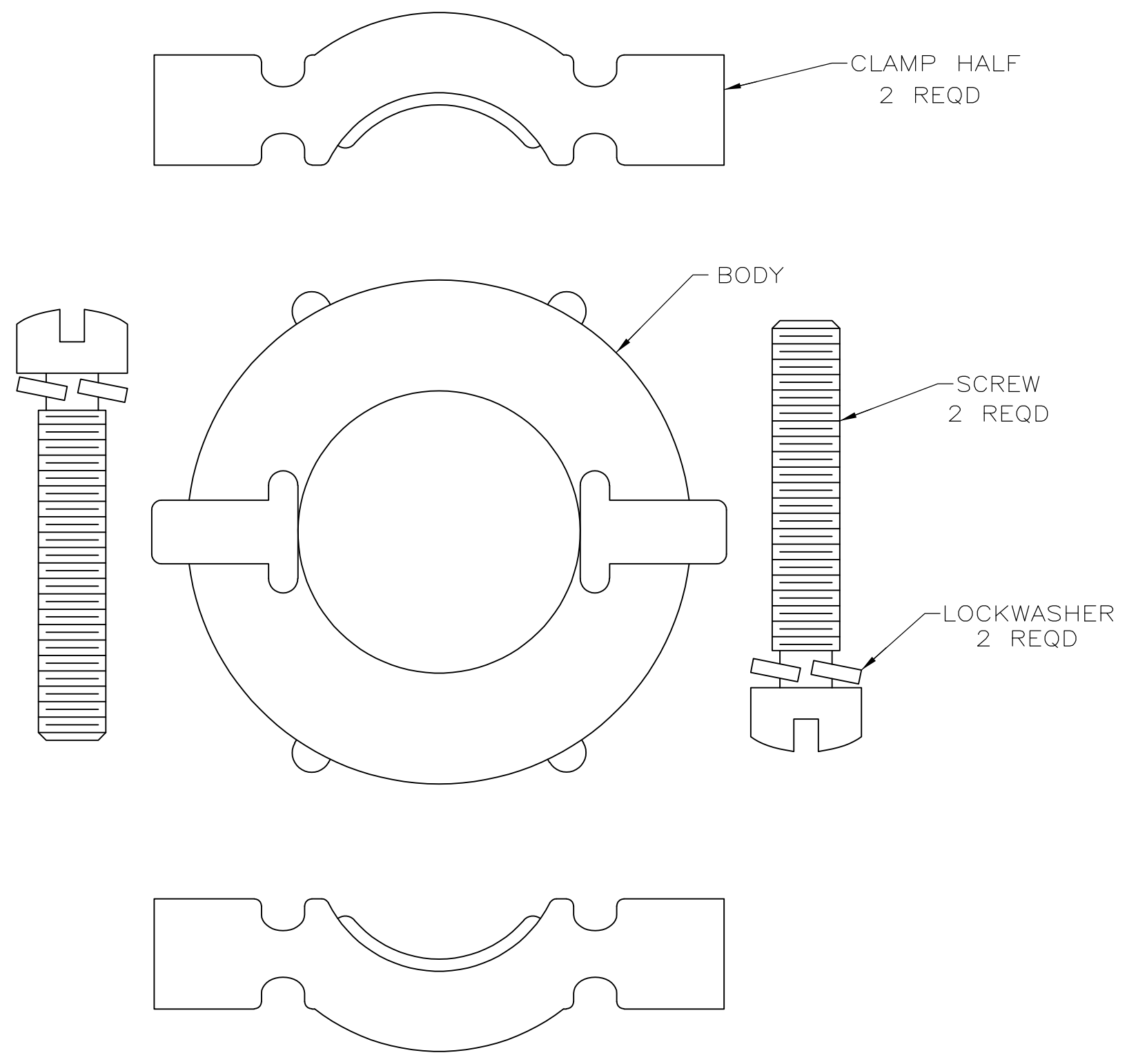


- ① MILITARY CONNECTORS USUALLY DESIGNATE A 3/4-20 THREAD FOR SIZE 14 CONNECTORS AND A 7/8-20 THREAD FOR SIZE 16 CONNECTORS. AMP'S SIZE 14 CONNECTORS WITH A 7/8-20 THREAD IS A DEVIATION FROM THIS STANDARD.
- ② BODY & CLAMPS: NICKEL PLATE.
- ③ BODY & CLAMPS: ZINC ALLOY.
SCREWS & WASHERS: STAINLESS STEEL.
- ④ PACKAGED IN BULK ONLY.
- ⑤ OBSOLETE PARTS: OBSOLETE CIS STREAMLINING PER D.RENAUD/D.SINISI



| | | | | | | | | | | | |
|---|---|----------|---|----------------|-----------------|-----------------|------------------|------------------|------------------|------------|------------|
| ④ | ⑤ | OBSOLETE | 1 | 7/16-18UNEF-3B | 11.43 [.450] | 17.48 [.688] | 42.88 [1.688] | 43.10 [1.697] | 26.19 [1.031] | 28 | 1-208945-0 |
| ⑤ | | OBSOLETE | 1 | 7/16-18UNEF-3B | 11.43 [.450] | 17.48 [.688] | 42.88 [1.688] | 43.10 [1.697] | 26.19 [1.031] | 28 | -208945-9 |
| | | | 1 | 7/16-18UNEF-3B | 11.43 [.450] | 23.83 [.938] | 42.88 [1.688] | 43.10 [1.697] | 26.19 [1.031] | 28 | 208945-8 |
| | | | 1 | 3/16-18UNEF-3B | 8.26 [.325] | 19.05 [.750] | 37.31 [1.469] | 36.37 [1.432] | 23.83 [.938] | 22 | 208945-7 |
| | | ① | 1 | 7/8-20UNEF-3B | 5.72 [.225] | 14.27 [.562] | 29.59 [1.165] | 29.85 [1.175] | 23.83 [.938] | 14 | 208945-5 |
| | | | | F | E | D | C | B | A | SHELL SIZE | PART NO |

THIS DRAWING IS A CONTROLLED DOCUMENT.

DWN W.G.LENKER 05/18/92
 CHK R.STONE 6-1-92
 APVD K.BEAVER 6-3-92

STE TE Connectivity

NAME: CABLE CLAMP KIT, UNASSEMBLED, CMC

SIZE: A2 CAGE CODE: 00779 DRAWING NO: 208945 RESTRICTED TO: -

MATERIAL: ③ FINISH: ② WEIGHT: -

CUSTOMER DRAWING SCALE: 4:1 SHEET: 1 of 1 REV: K2

X-ON Electronics

Largest Supplier of Electrical and Electronic Components

Click to view similar products for [Standard Circular Connector](#) category:

Click to view products by [TE Connectivity](#) manufacturer:

Other Similar products are found below :

[5M2530B10P](#) [600259N006](#) [600273N007](#) [6134-336-13149](#) [6134-337-11149](#) [6134-337-2390](#) [6134-341-17149](#) [6280-4SG-516](#) [6280-7SG-3DC](#)
[6290](#) [6291A](#) [66200A-10](#) [680-SMG](#) [681-PMG](#) [CXS3102A14S2P](#) [CXS3102A181S](#) [7251-5SG-300](#) [7271-6SG-300](#) [7282-3PG-300-CH3](#) [75-](#)
[474618-01S](#) [75-474618-04P](#) [75-474618-04S](#) [799539-000](#) [MI8-SE](#) [805-005-07NF11-19PC](#) [805-005-07NF15-7PA](#) [8280-4PG-516](#) [8280-7PG-](#)
[519](#) [8282-5PG-519](#) [836783-1](#) [MP-4102-25P-C](#) [862256-1](#) [864019-2](#) [866857-1](#) [867865-1](#) [PT01SP-14-18P](#) [PT08P-14-5S](#) [PTSF06SE-14-12S](#)
[120-1833-000](#) [QCM019PC2DC012B](#) [1-2069279-1](#) [121583-0217](#) [121667-0020](#) [129591AU](#) [1000B BULK](#) [RD10A16-19-P6CS051/1](#)
[RD10A20-31-P8CS051/1](#) [RD16A14-12-S6CS051/2](#) [1301240290](#) [1301240347](#) [1301860202](#)