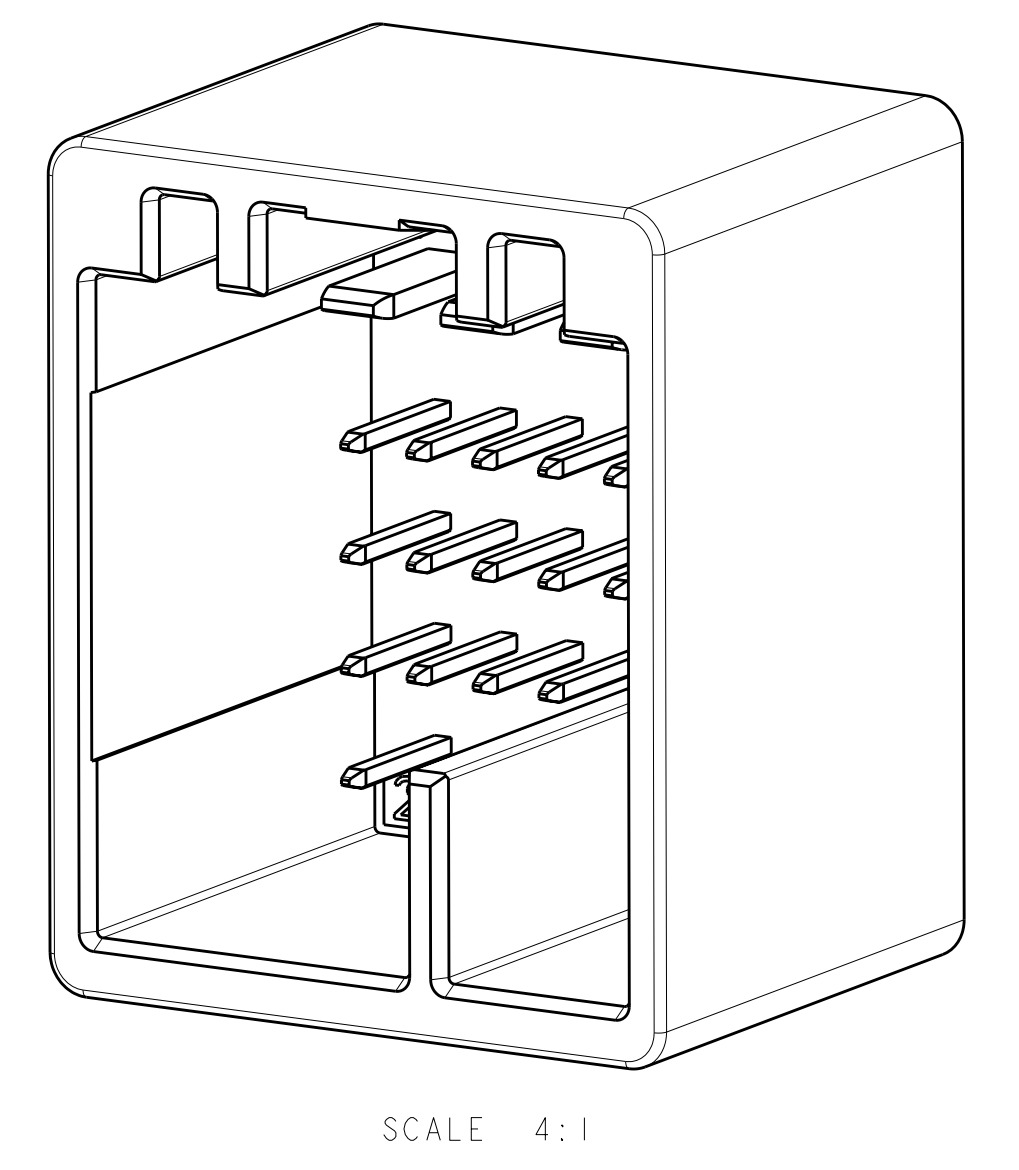
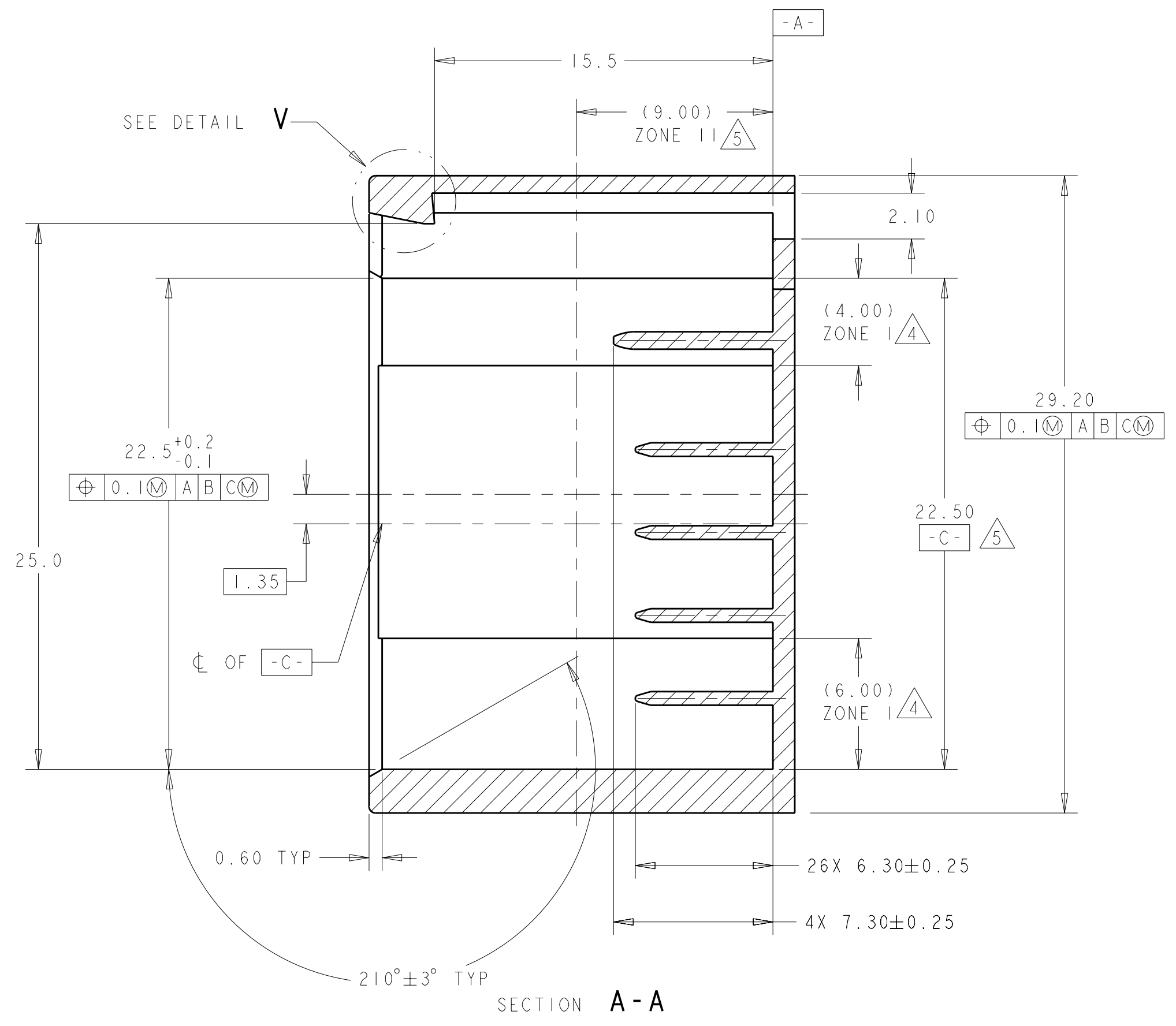
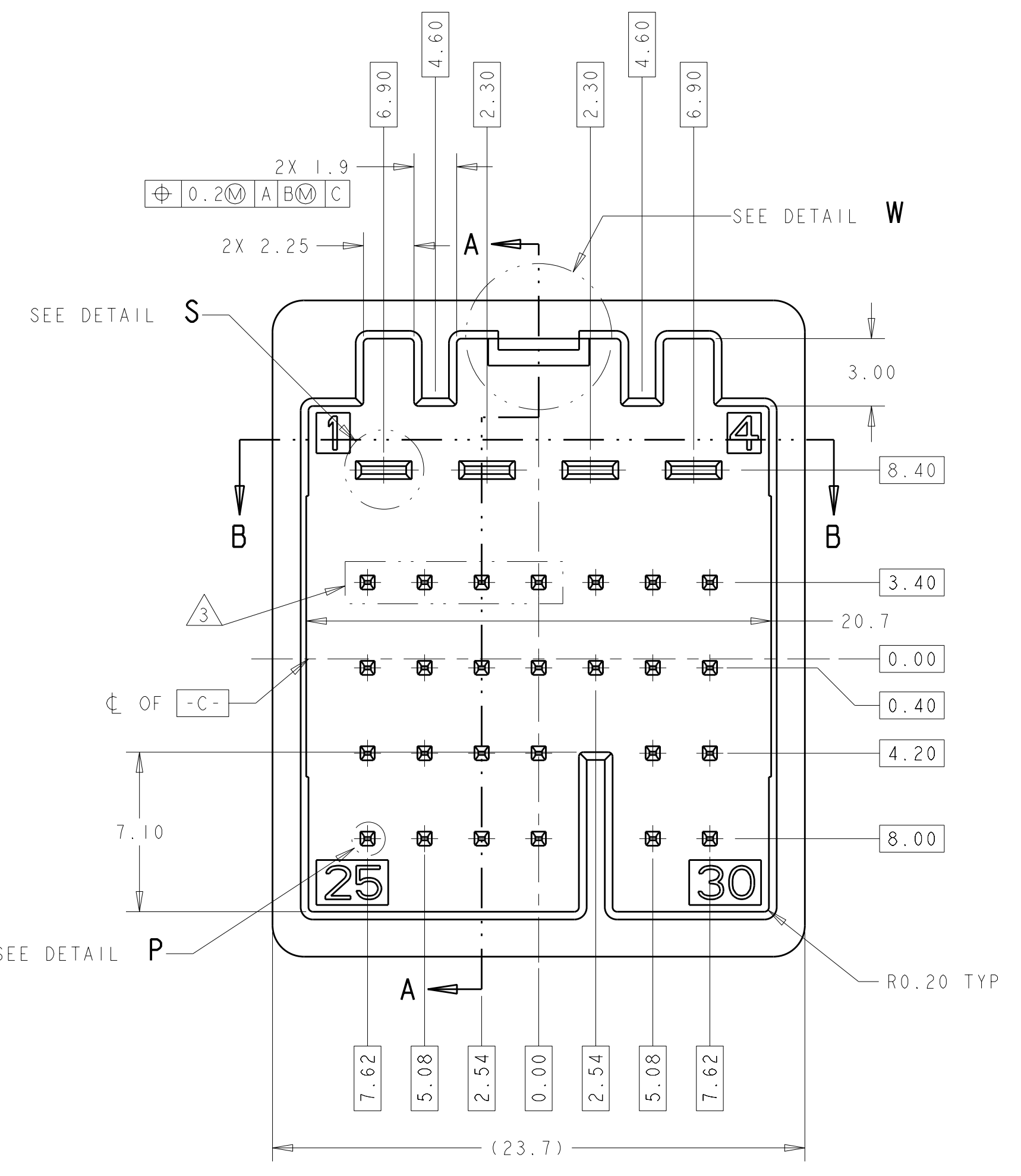
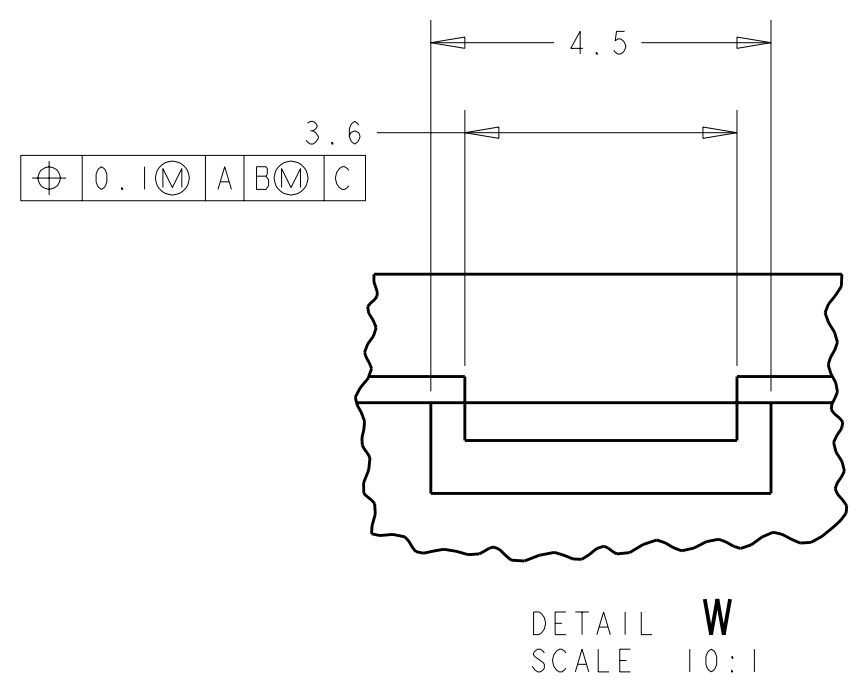
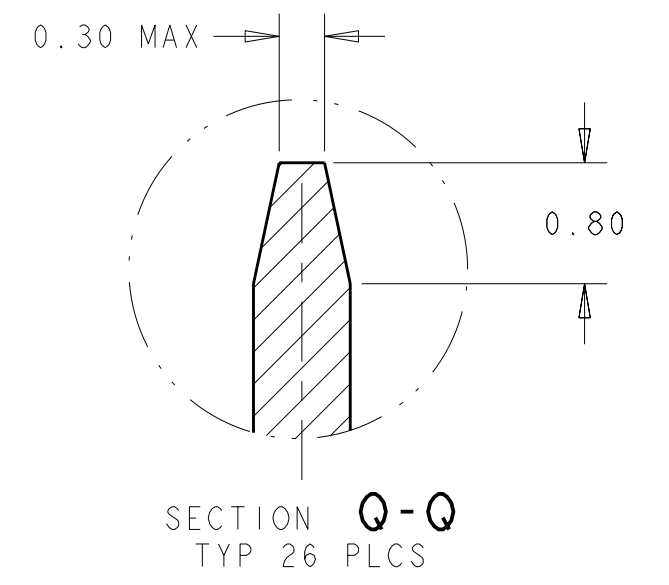
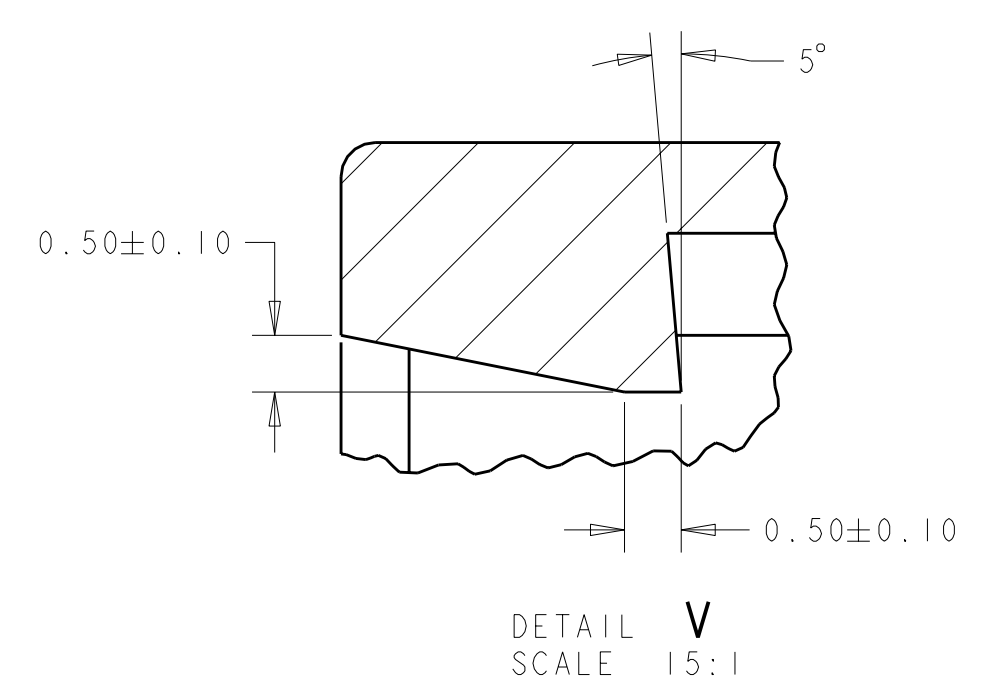
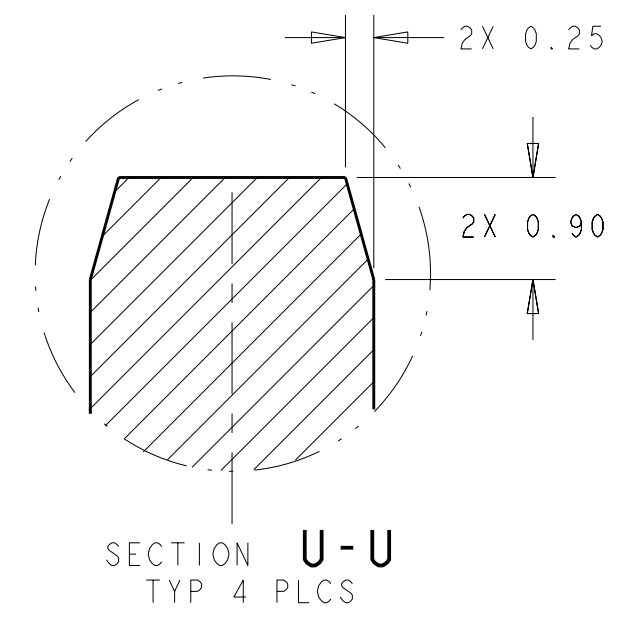
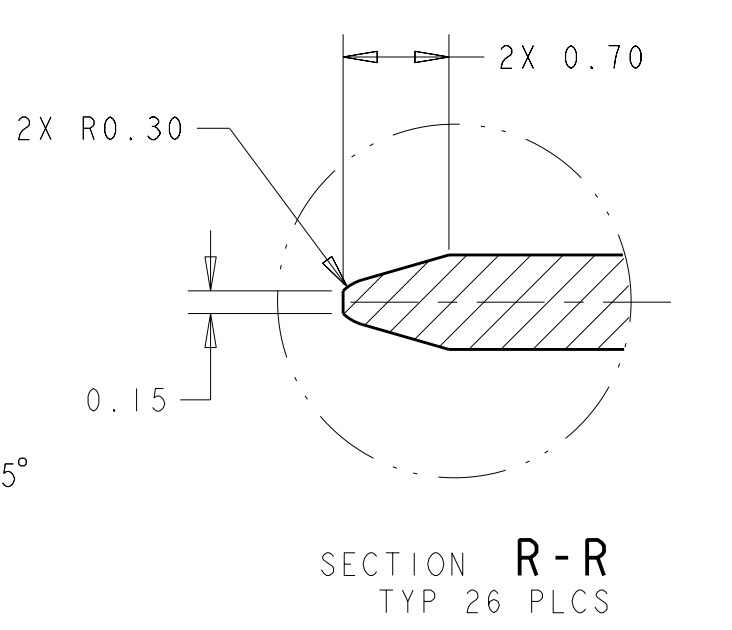
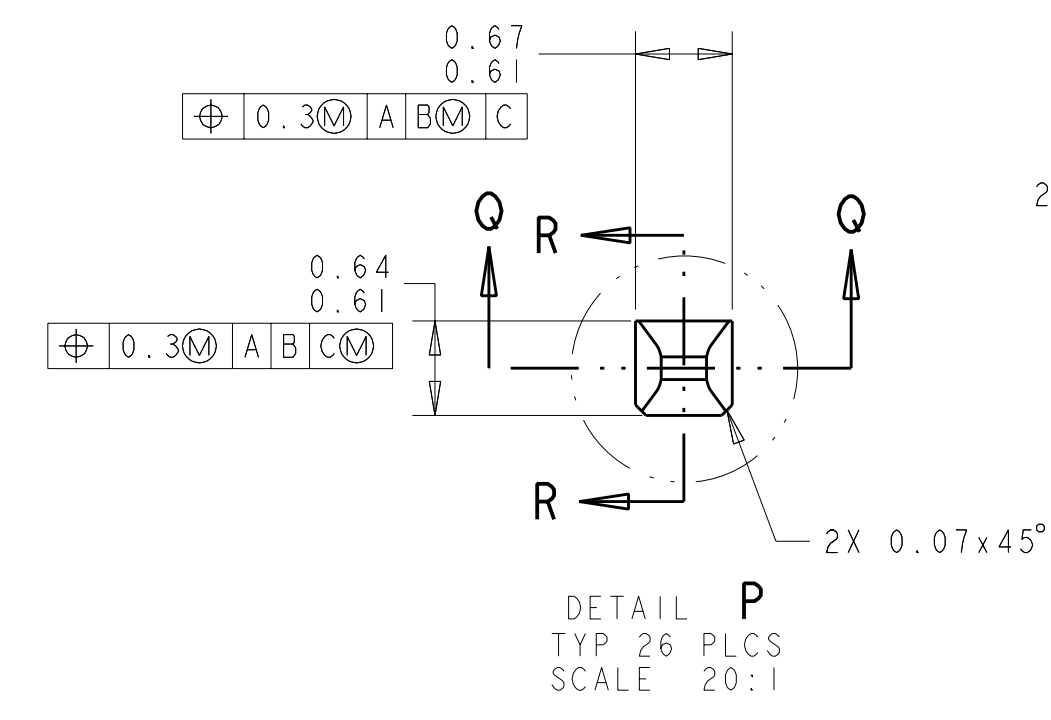
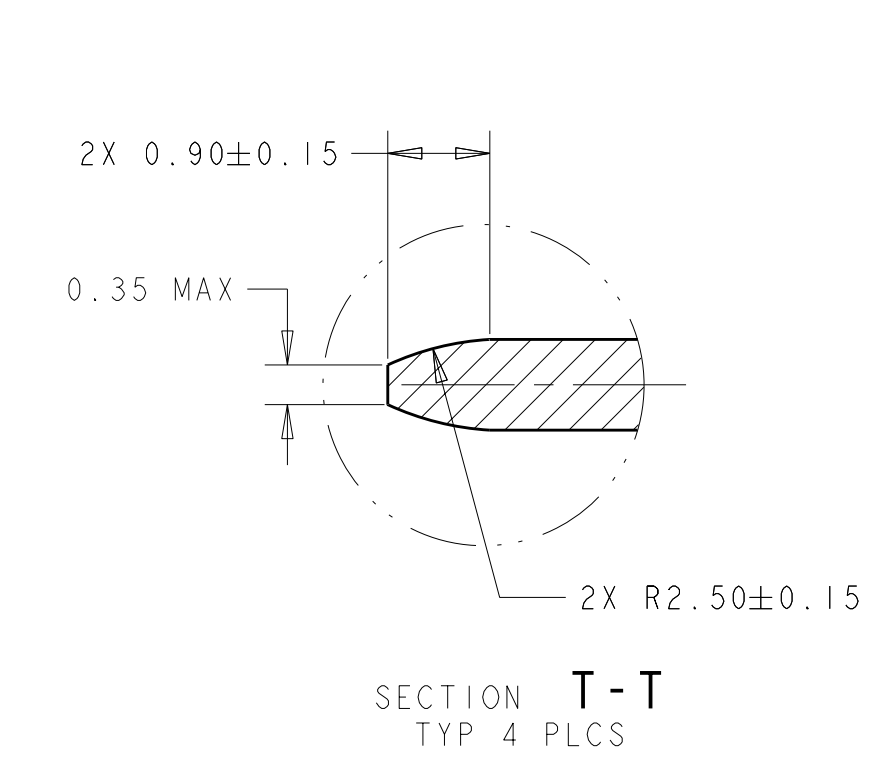
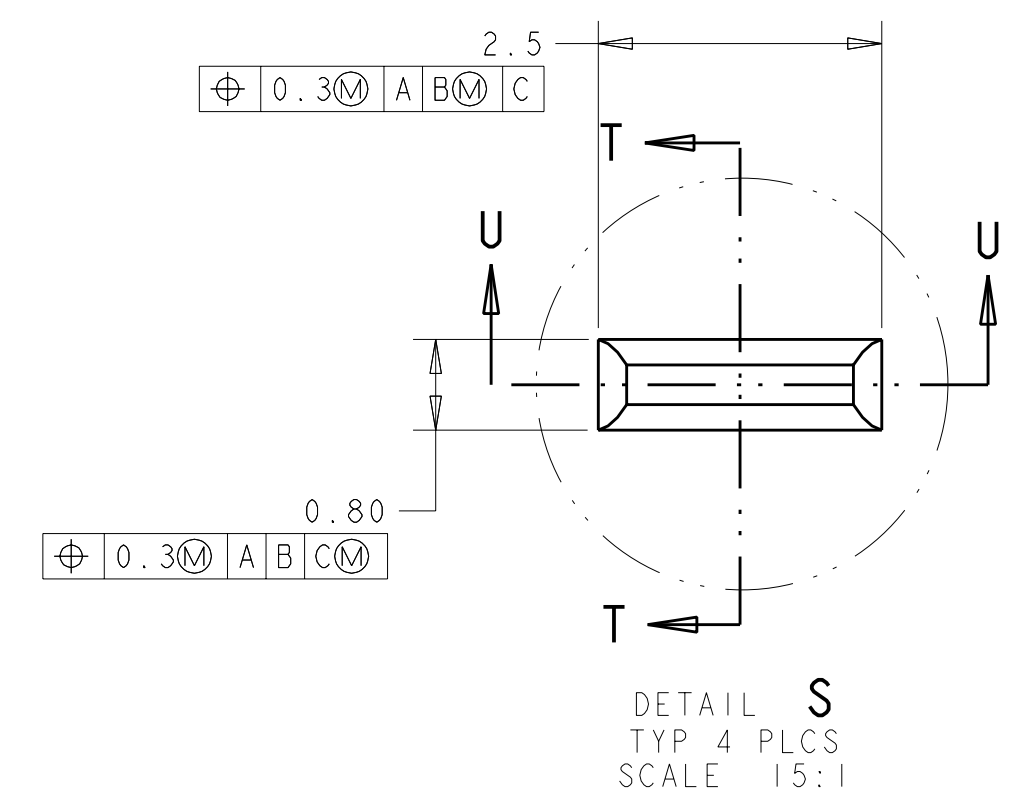
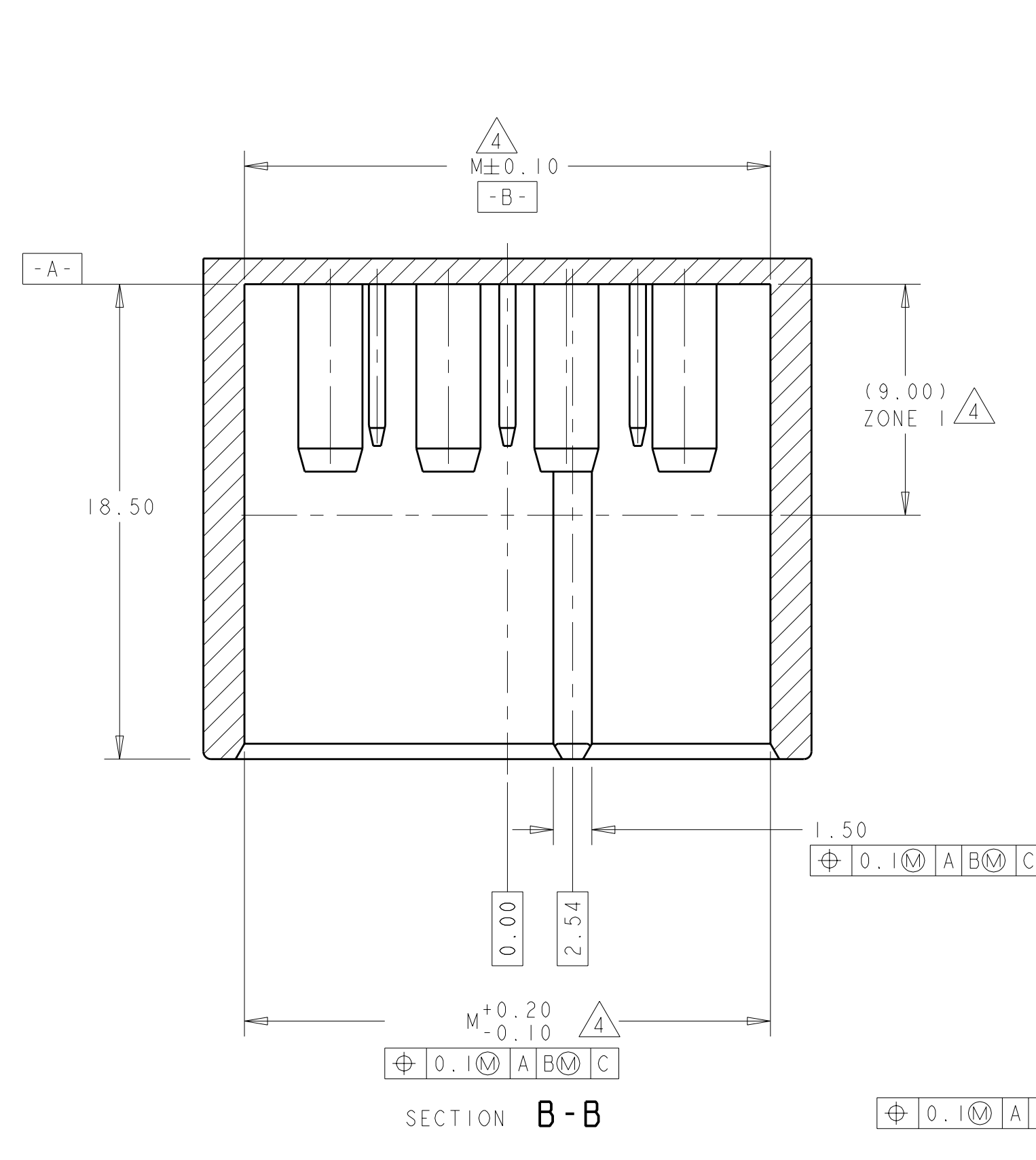


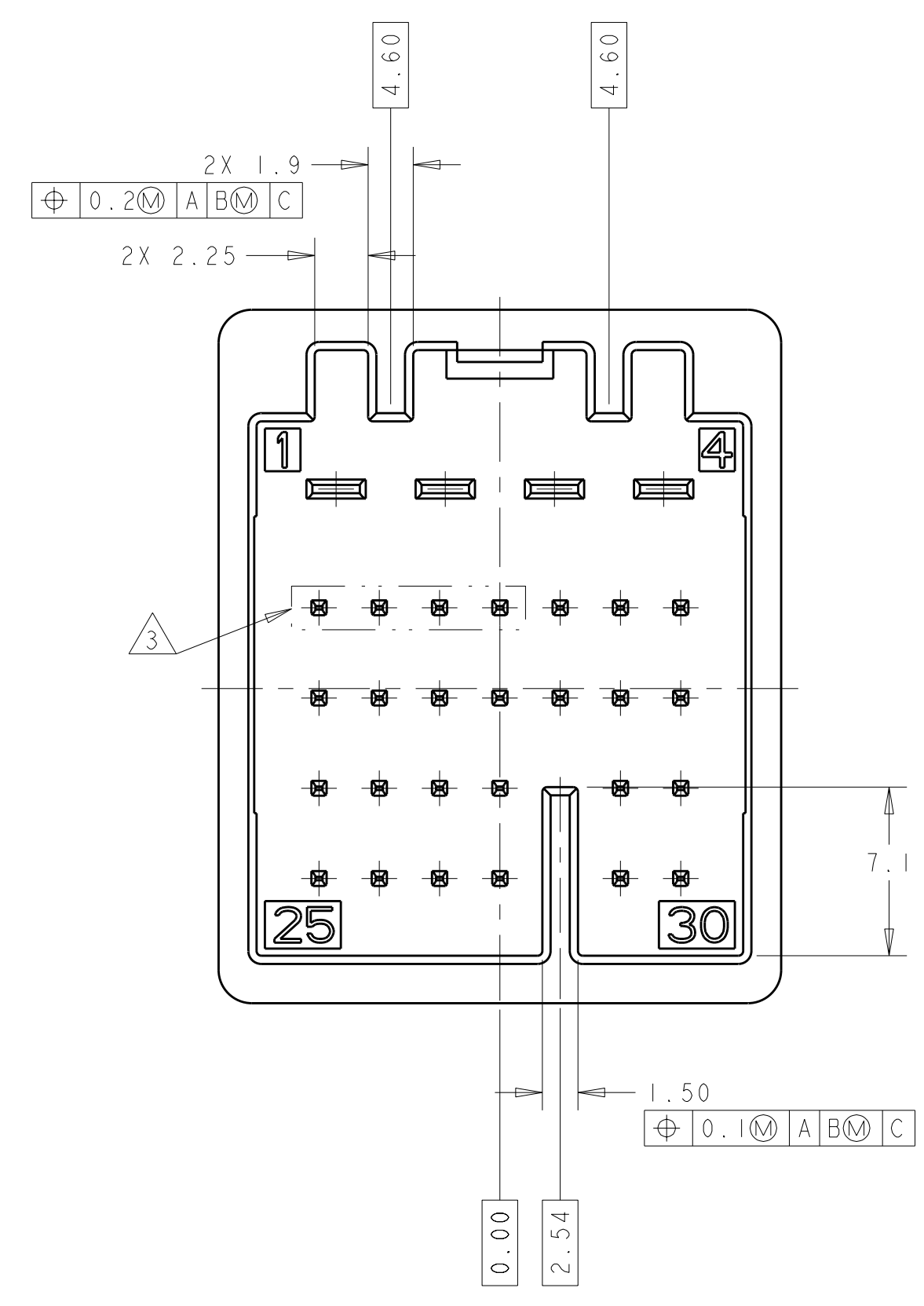
LOC	DIST	REV	DATE	BY	APPD
AV	IN	A	12MAY2011	DLD	CJS



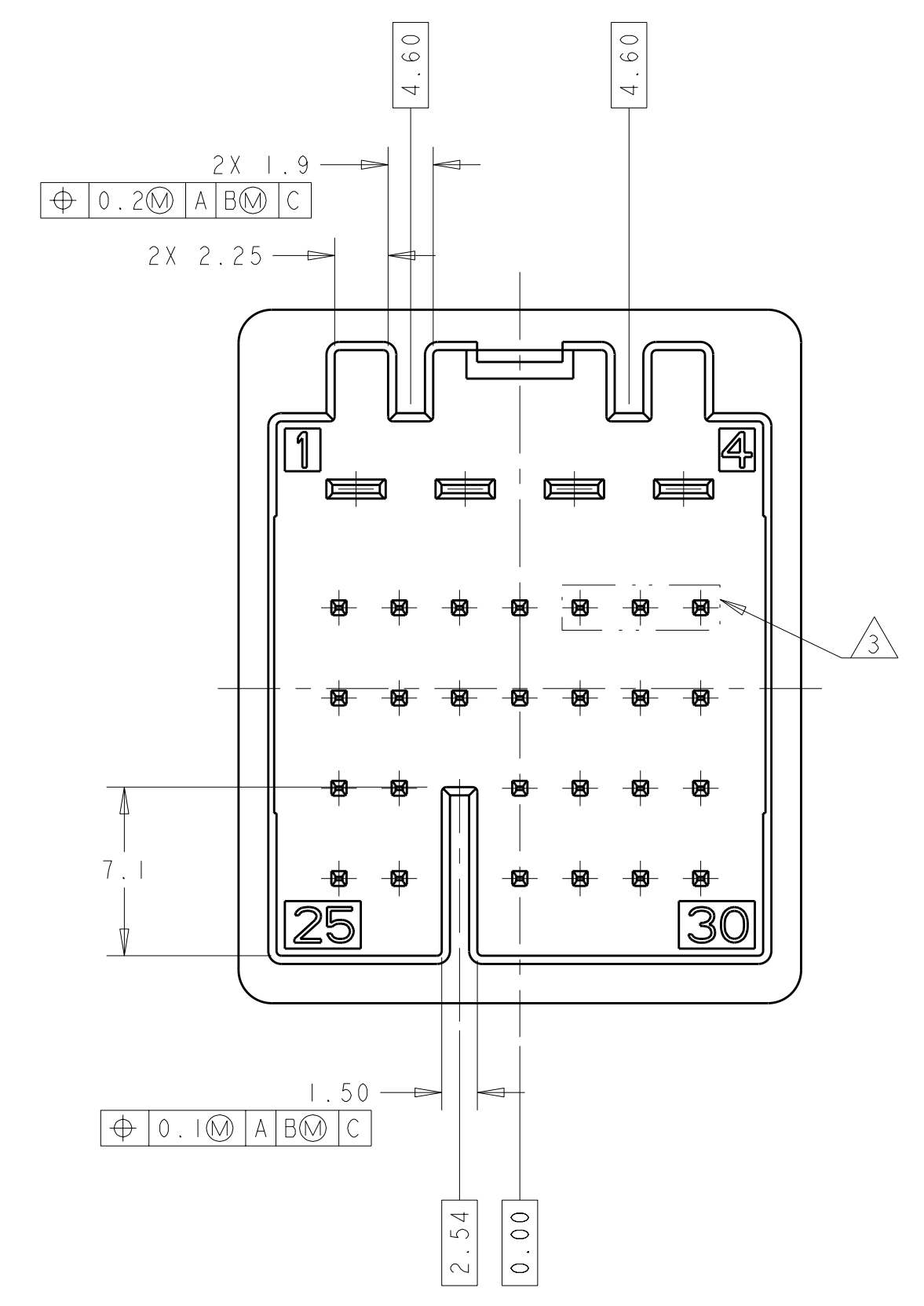
- NOTES:
- KEYING OPTION "A" SHOWN IN GENERAL VIEWS.
 - 0.64 PINS: 0.8μm MIN TIN FOR A LENGTH OF 4.15 MIN FROM MATING END, OVER 2.0μm MIN NICKEL.
 - 2.8 BLADES: 0.8μm MIN TIN FOR A LENGTH OF 6.2 MIN FROM MATING END, OVER 2.0μm MIN NICKEL.
 - OPTIONAL
 - DATUM SIZE AND DIMENSION TO BE MEASURED IN ZONE I
 - DATUM SIZE TO BE MEASURED IN ZONE II
 - DRAFT WITHIN TOLERANCE.
 - ALL UNMARKED RADII TO BE R0.2±0.1, UNLESS OTHERWISE SPECIFIED.
 - MATES WITH TE PART # 2098067

THIS DRAWING IS A CONTROLLED DOCUMENT.		DWN: S. VINAY 04SEP2009	TE Connectivity										
DIMENSIONS: mm		CHK: GALEN MARTIN 04SEP2009											
TOLERANCES UNLESS OTHERWISE SPECIFIED:		APVD: GALEN MARTIN 04SEP2009	NAME: INTERFACE DRAWING 0.64 X 2.8 UNSEALED										
<table border="1"> <tr> <td>9 PLC</td> <td>±0.0</td> </tr> <tr> <td>3 PLC</td> <td>±0.1</td> </tr> <tr> <td>5 PLC</td> <td>±0.05</td> </tr> <tr> <td>4 PLC</td> <td>±</td> </tr> <tr> <td>ANGLES</td> <td>±1°</td> </tr> </table>		9 PLC	±0.0	3 PLC	±0.1	5 PLC	±0.05	4 PLC	±	ANGLES	±1°	PRODUCT SPEC:	SIZE: A100779C=2098385
9 PLC	±0.0												
3 PLC	±0.1												
5 PLC	±0.05												
4 PLC	±												
ANGLES	±1°												
MATERIAL:		APPLICATION SPEC:	RESTRICTED TO:										
FINISH:		WEIGHT:	SCALE: 5:1 SHEET 1 OF 2 REV A										
CUSTOMER DRAWING													

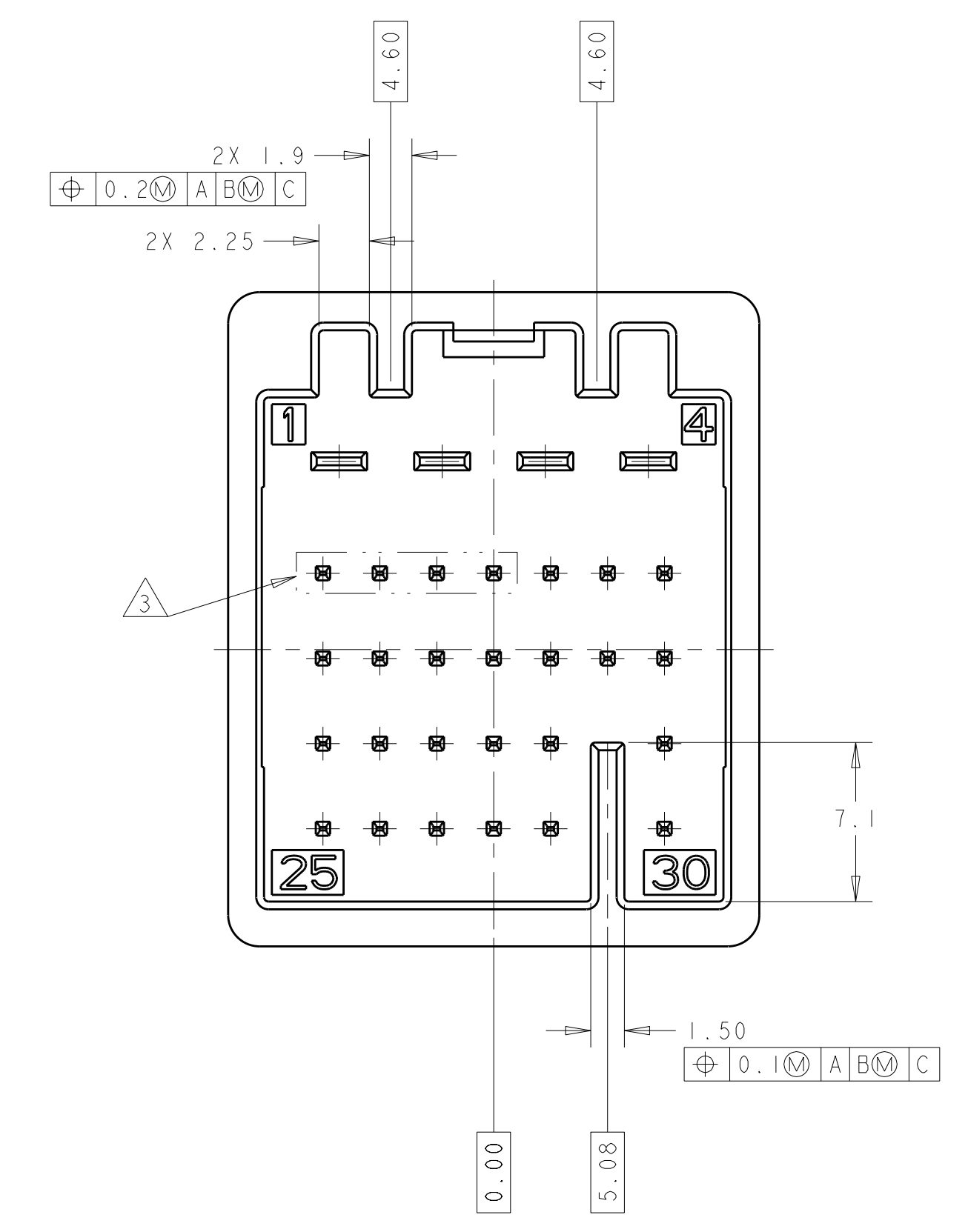
LOC	DIST	REV	DATE	BY	APPD
AV	IN				
REVISIONS			DESCRIPTION	DATE	DWN
			SEE SHEET 1		



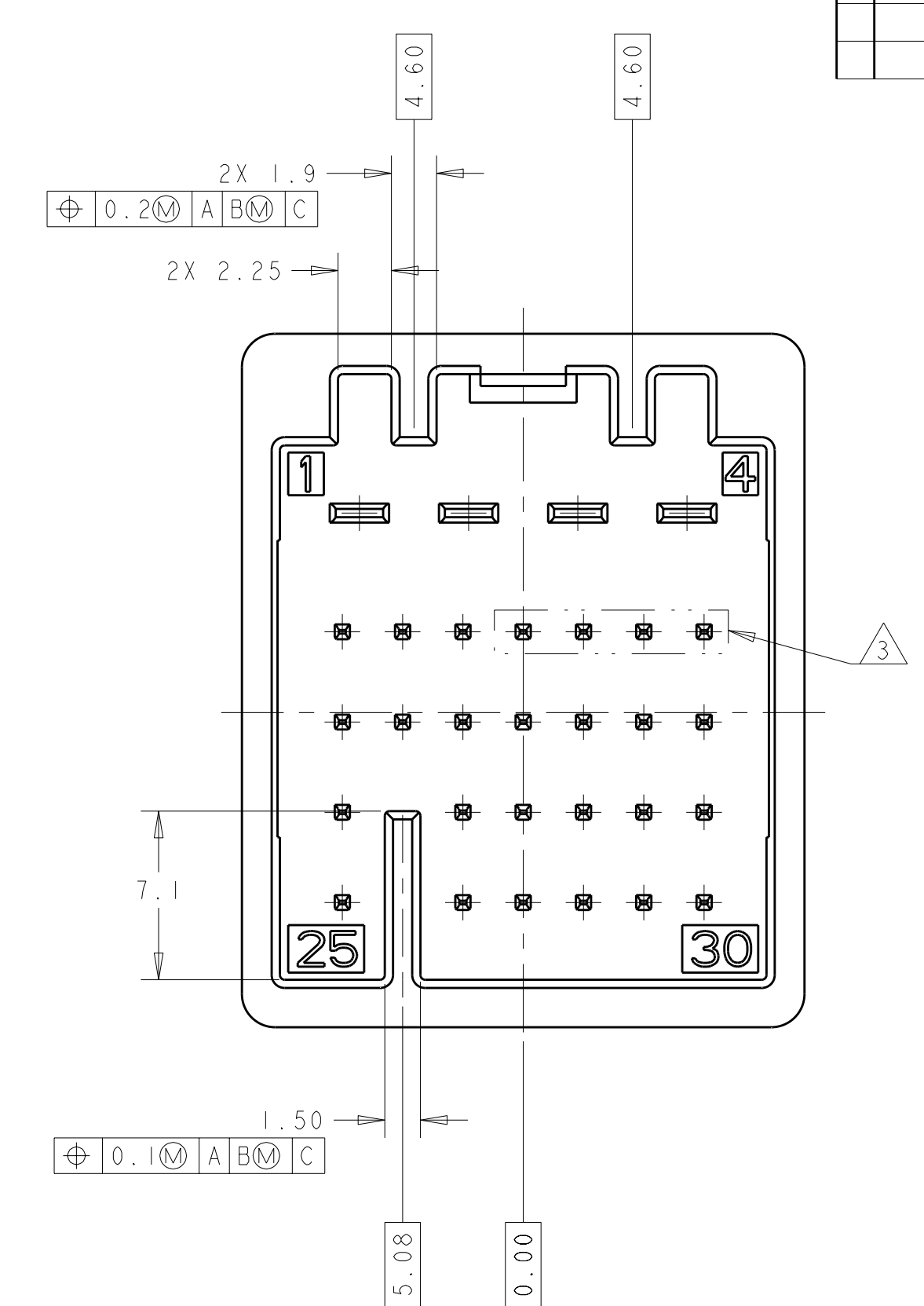
KEYING OPTION "A"
2098385-1



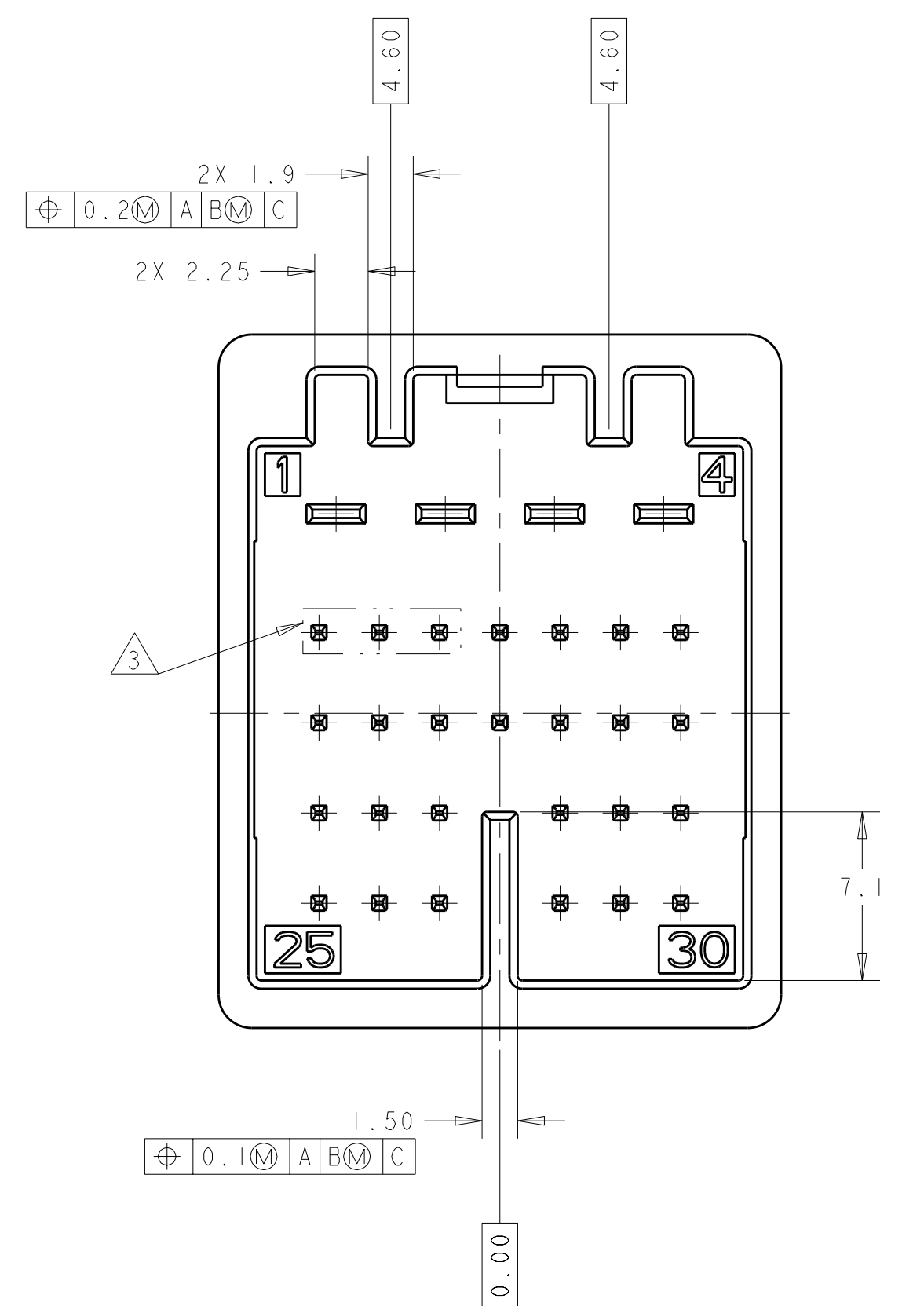
KEYING OPTION "B"
2098385-2



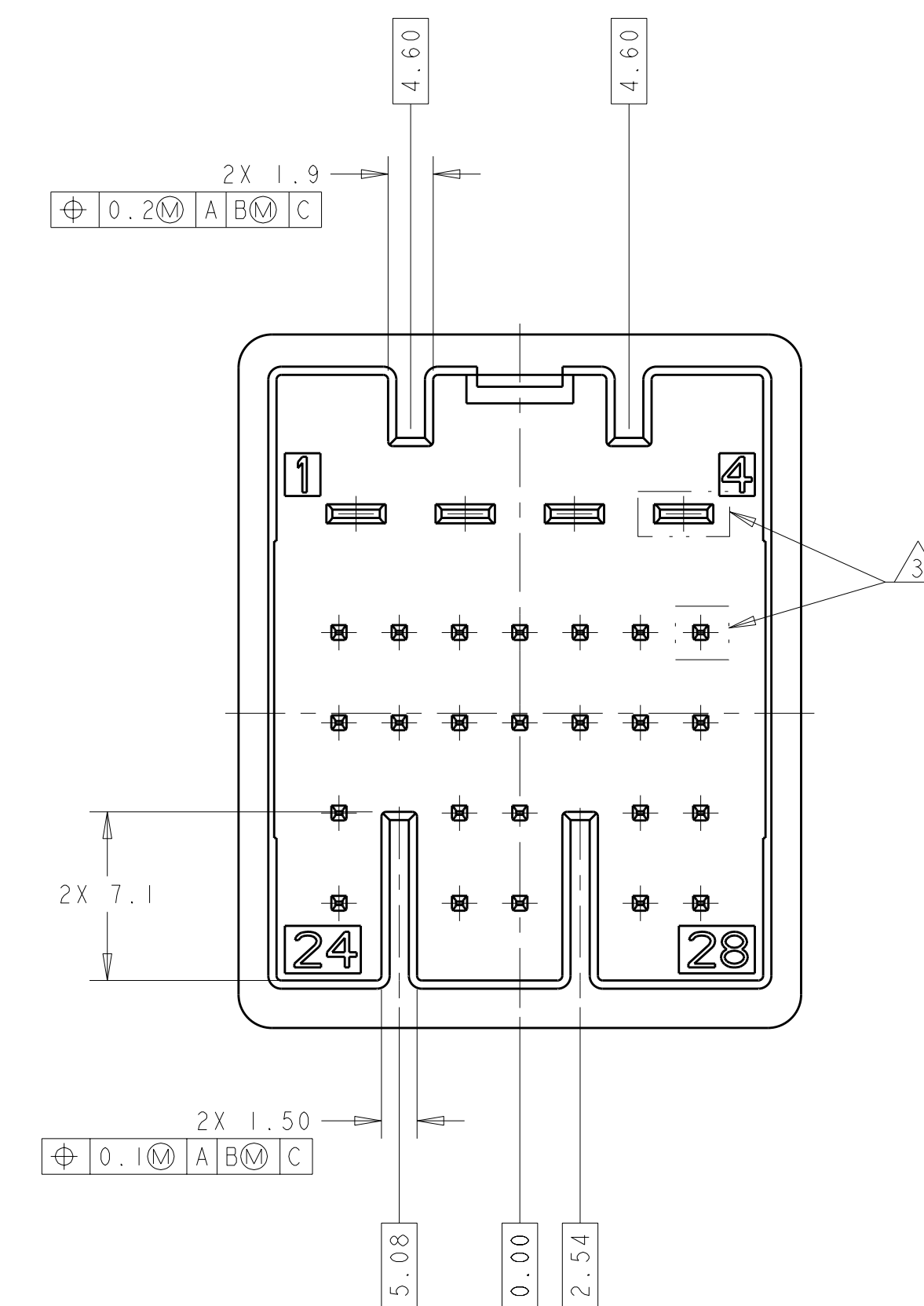
KEYING OPTION "C"
2098385-3



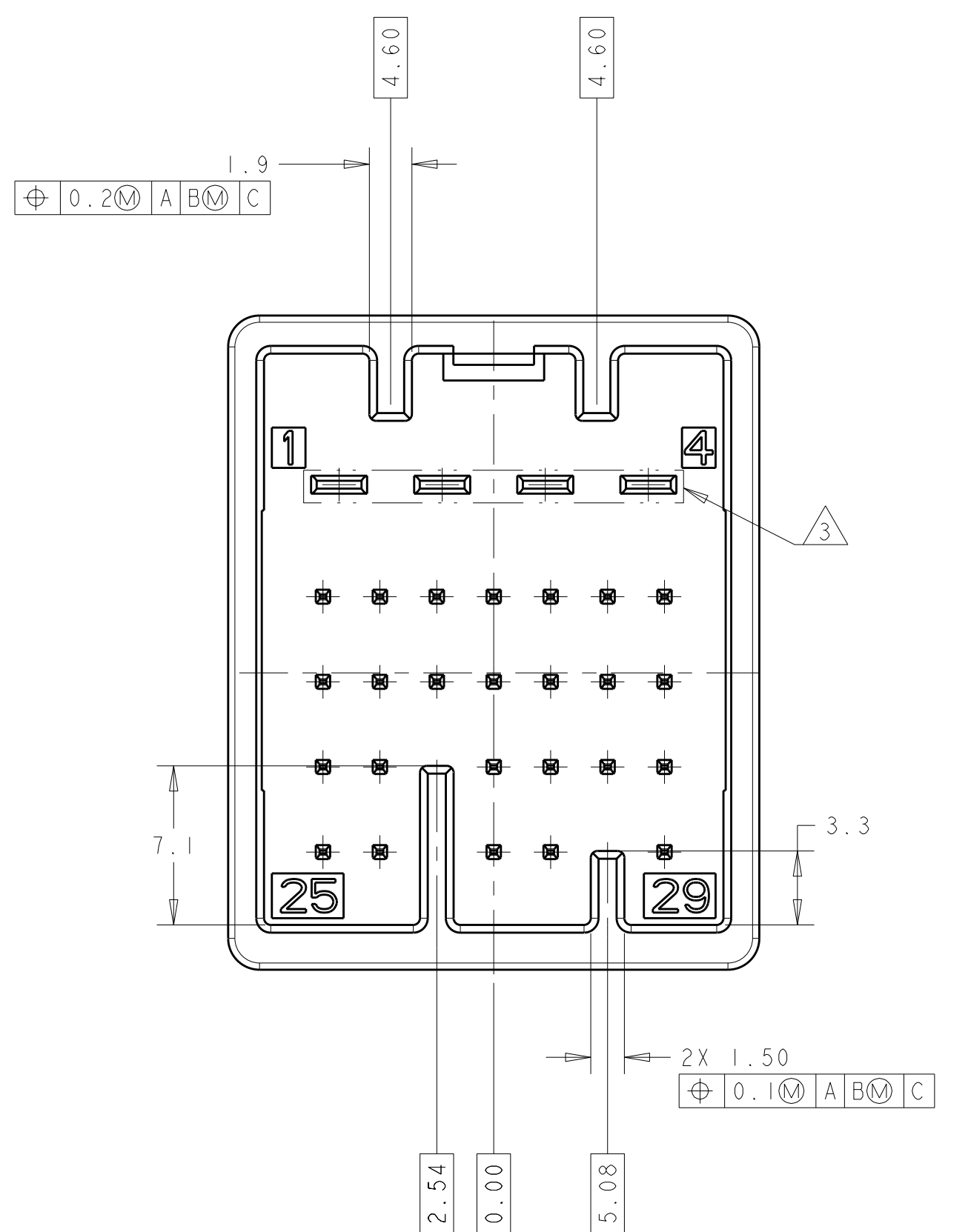
KEYING OPTION "D"
2098385-4



KEYING OPTION "E"
2098385-5



KEYING OPTION "F"
2098385-6



KEYING OPTION "G"
2098385-7

19.9	2098385-7
20.5	2098385-6
20.5	2098385-5
20.5	2098385-4
20.5	2098385-3
20.5	2098385-2
20.5	2098385-1
DIM M	PART NUMBER

THIS DRAWING IS A CONTROLLED DOCUMENT.

DWN: S. VINAY 04SEP2009
 CHK: GALEN MARTIN 04SEP2009
 APPD: GALEN MARTIN 04SEP2009

TE Connectivity

STE INTERFACE DRAWING
0.64 X 2.8 UNSEALED

DIMENSIONS: mm
 TOLERANCES UNLESS OTHERWISE SPECIFIED:
 9 PLC ±0.0
 1 PLC ±0.1
 3 PLC ±0.05
 4 PLC ±
 ANGLES ±1°

MATERIAL: -
 FINISH: -

WEIGHT: -
 CUSTOMER DRAWING

SIZE: A100779
 CAGE CODE: C=2098385
 DRAWING NO: -
 RESTRICTED TO: -

SCALE: 4:1 SHEET: 2 OF 2 REV: A

X-ON Electronics

Largest Supplier of Electrical and Electronic Components

Click to view similar products for [Automotive Connectors](#) category:

Click to view products by [TE Connectivity](#) manufacturer:

Other Similar products are found below :

[003-018-000](#) [60403001](#) [60993906-B](#) [M902-2131](#) [M902-2161](#) [72.330.1035.1](#) [73.353.4028.0](#) [F119300-B](#) [F166900](#) [F258300-B](#) [F358300-B](#)
[F407400](#) [F444110](#) [F487000](#) [F509500B-B](#) [827153-1](#) [8N1515-32-24P](#) [9-1326729-8](#) [925474-1](#) [928905-1](#) [964562-4](#) [968782-1](#) [GT17SA-8DS-](#)
[HU](#) [98891-1012](#) [98947-1016](#) [12004147](#) [12004475-L](#) [12010290](#) [12010309-B](#) [12015454](#) [12020219-B](#) [12020308](#) [12041318-B](#) [12052225-L](#)
[12052466](#) [12059125](#) [12064869](#) [12004327-B](#) [12010503-B](#) [12015308](#) [12015384](#) [12015909](#) [1-21030-1](#) [12041254](#) [12041318](#) [12047946-B](#)
[12047957](#) [12047957-L](#) [12059473](#) [12066261](#)