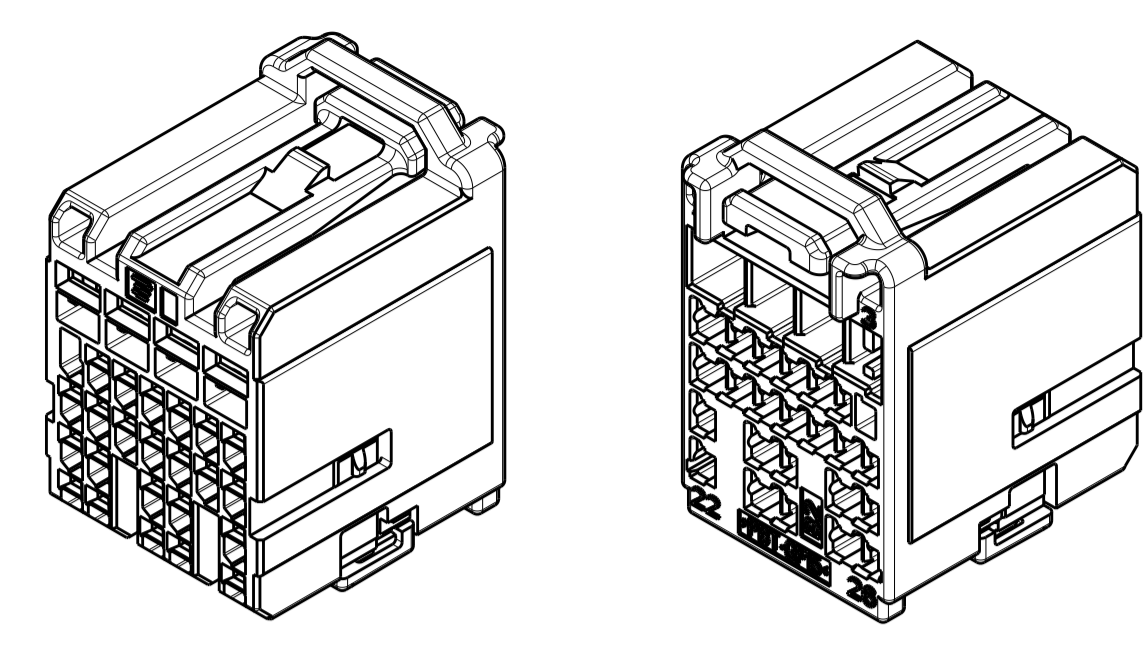
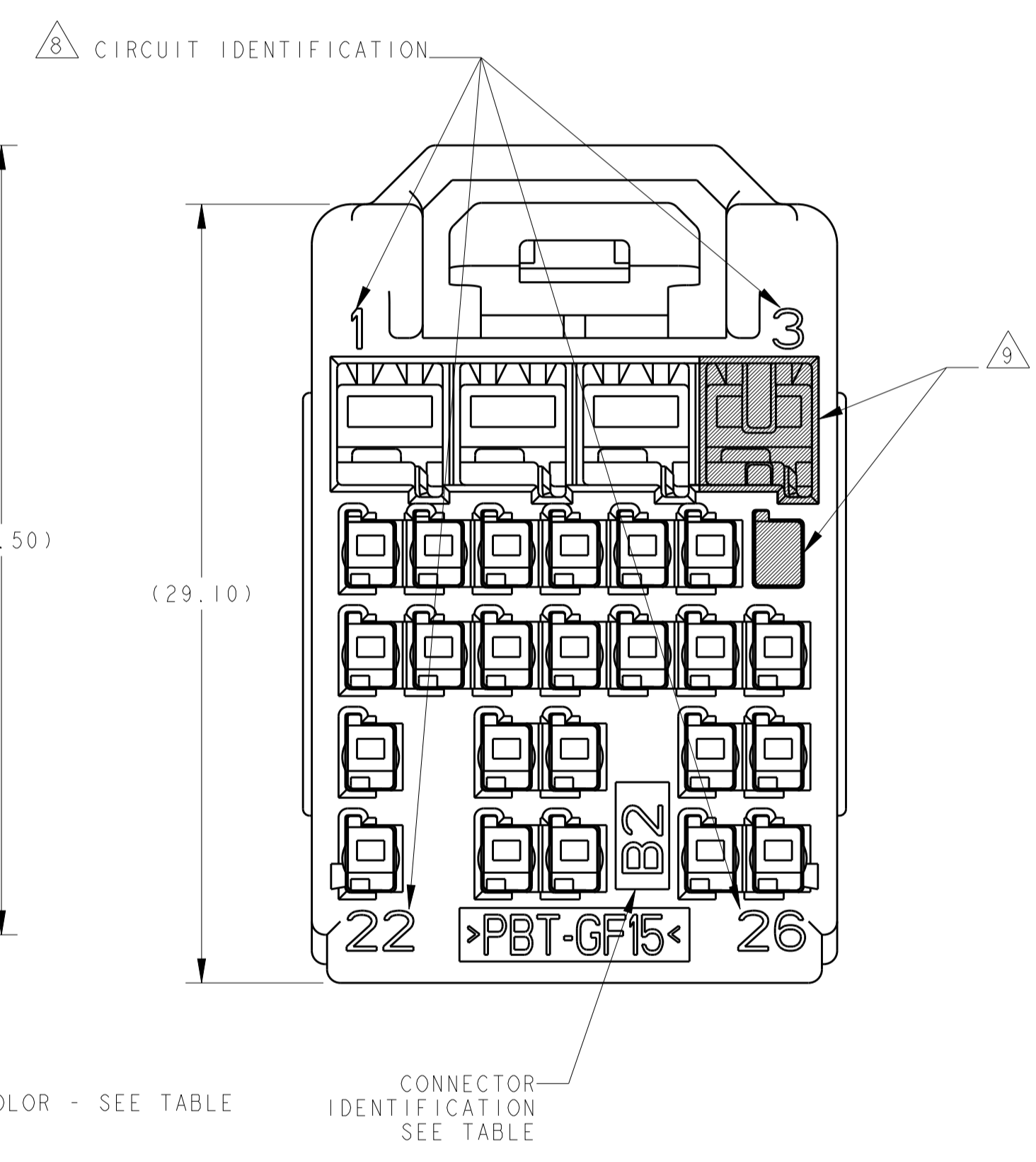
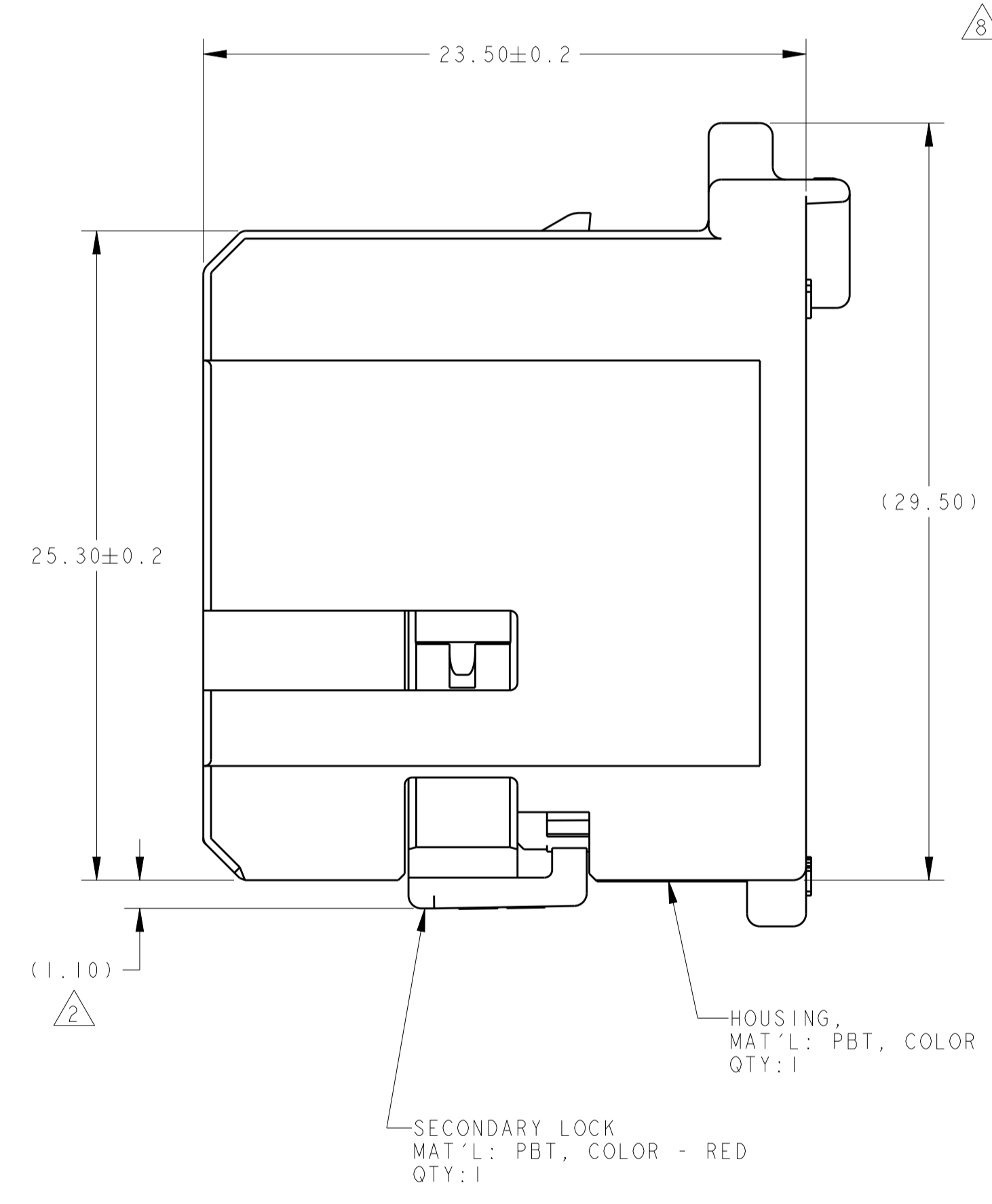
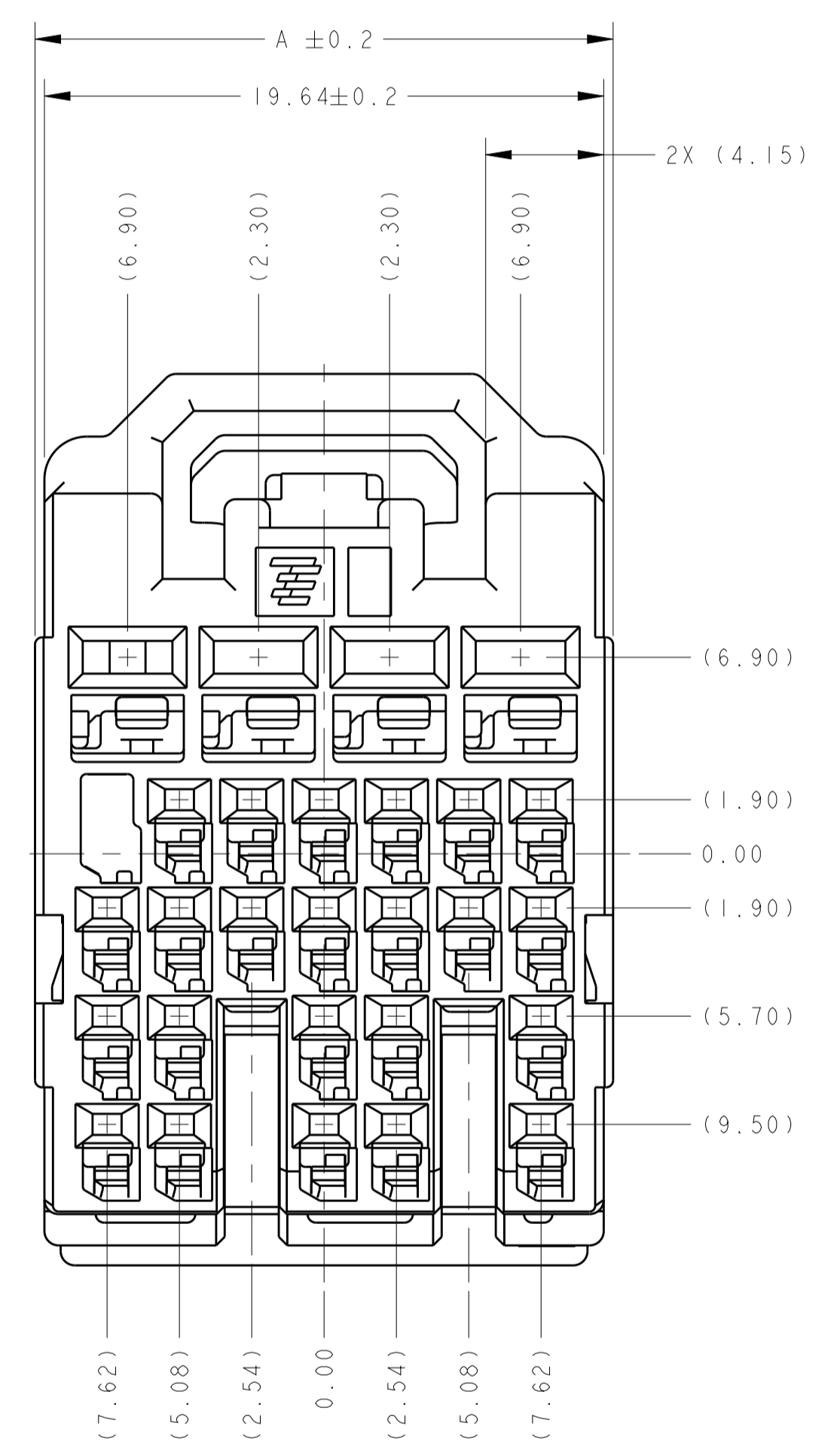


LOC	DIST	REVISIONS					
		P	LTN	DESCRIPTION	DATE	DWN	APVD
	00	B		REVISED PER ECO-11-019475	31OCT2011	DLD	CJS
		B1		REVISED PER ECO-12-012796	19JUL2012	DLD	CJS
		C		REVISED PER ECO-12-017192	01NOV2012	DLD	CJS



ISOMETRIC VIEWS
SCALE 2:1

- 2098067-6 SHOWN, SEE PART NUMBER TABLE AND CIRCUIT AND KEYING ARRANGEMENT VIEWS TABLE ON SHEET 2.
- SECONDARY LOCK PLATE TO BE SHIPPED IN STAGED POSITION. SHOULD SECONDARY LOCK PLATE BECOME ENGAGED, PLEASE SEE INSTRUCTION SHEET 408-10318 FOR DIRECTION ON DISENGAGING THE SECONDARY LOCK PLATE.
- SIGNAL TERMINALS, TE GENERATION Y, DRAWING NO. 1924727.
- USE WITH POWER TERMINALS, SUMITOMO US280, PART NUMBERS 8100-4443, 8100-4444, 8100-4445.
- USE WITH MATING INTERFACE SHOWN ON TE DRAWING NUMBER 2098385.
- GMW3191 PERFORMANCE STANDARD, WHERE APPLICABLE, EXCEPT THE AVERAGE PRIMARY TERMINAL EXTRACTION FORCE TO BE EQUAL TO OR GREATER THAN 25N FOR THE 0.64 TERMINAL AND SECONDARY LOCK PLATE ENGAGE FORCE TO BE 48N MAX.
- TEMPERATURE CLASS 1, -40° C TO 85° C
- SEE "CIRCUIT AND KEYING ARRANGEMENT VIEWS" TABLE ON SHEET 2 FOR NUMERIC CHARACTERS.
- CROSSHATCHING INDICATES A BLOCKED CAVITY. CAVITY WILL NOT ACCEPT TERMINAL INSERTION. SEE "CIRCUIT AND KEYING ARRANGEMENT VIEWS" ON SHEET 2.

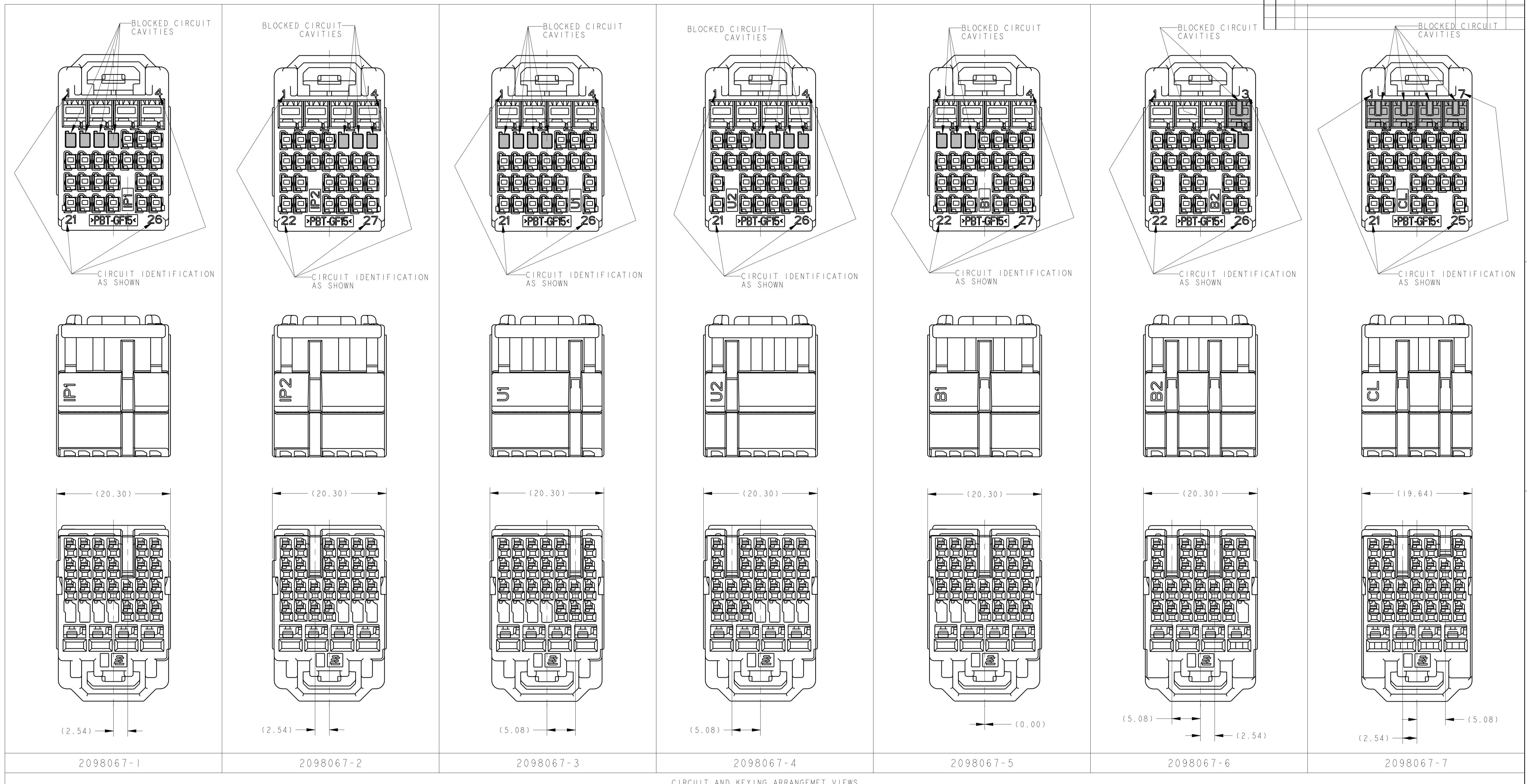


PARTITIONED	HOUSING COLOR	CONNECTOR IDENTIFICATION	DIM A	PART NUMBER
PARTITIONED	GREEN	CL	N/A	1-2098067-7
PARTITIONED	GRAY	B2	20.30	1-2098067-6
PARTITIONED	PINK	B1	20.30	1-2098067-5
PARTITIONED	BROWN	U2	20.30	1-2098067-4
PARTITIONED	BLACK	U1	20.30	1-2098067-3
PARTITIONED	BLUE	IP2	20.30	1-2098067-2
PARTITIONED	NATURAL	IPI	20.30	1-2098067-1
BULK	GREEN	CL	N/A	2098067-7
BULK	GRAY	B2	20.30	2098067-6
BULK	PINK	B1	20.30	2098067-5
BULK	BROWN	U2	20.30	2098067-4
BULK	BLACK	U1	20.30	2098067-3
BULK	BLUE	IP2	20.30	2098067-2
BULK	NATURAL	IPI	20.30	2098067-1
PACKAGING	HOUSING COLOR	CONNECTOR IDENTIFICATION	DIM A	PART NUMBER

THIS DRAWING IS A CONTROLLED DOCUMENT. DWN: JR SHUEY 02APR2009
 CHK: GM MARTIN 02APR2009
 DIMENSIONS: mm TOLERANCES UNLESS OTHERWISE SPECIFIED: 0 PLC ±, 1 PLC ±, 2 PLC ±, 3 PLC ±, 4 PLC ±, ANGLES ±, FINISH ±.

STE TE Connectivity
 PLUG ASSEMBLY, UNSEALED HYBRID, A BCM
 SIZE: A100779 C=2098067
 SCALE: 5:1 SHEET 1 OF 2 REV C

LOC	DIST	REV	DATE	APPD	APPR
1N	00				



CIRCUIT AND KEYING ARRANGEMENT VIEWS

THIS DRAWING IS A CONTROLLED DOCUMENT.		DWN: JR. SHUEY 02APR2009 CHK: GM MARTIN 02APR2009 APD: GM MARTIN 02APR2009	TE Connectivity
DIMENSIONS: mm 	TOLERANCES UNLESS OTHERWISE SPECIFIED: 0 PLC ± 1 PLC ± 2 PLC ± 3 PLC ± 4 PLC ± ANGLES ± FINISH ±	NAME: PLUG ASSEMBLY, UNSEALED HYBRID, A BCM	
MATERIAL: SEE CALLOUT		WEIGHT: Customer Drawing	SIZE: A1 CAGE CODE: 100779 DRAWING NO: 2098067 SCALE: 5:1 SHEET: 2 OF 2 REV: C

X-ON Electronics

Largest Supplier of Electrical and Electronic Components

Click to view similar products for [Automotive Connectors](#) category:

Click to view products by [TE Connectivity](#) manufacturer:

Other Similar products are found below :

[003-018-000](#) [60403001](#) [60993906-B](#) [M902-2131](#) [M902-2161](#) [72.330.1035.1](#) [73.353.4028.0](#) [F119300-B](#) [F166900](#) [F258300-B](#) [F358300-B](#)
[F407400](#) [F444110](#) [F487000](#) [F509500B-B](#) [827153-1](#) [8N1515-32-24P](#) [9-1326729-8](#) [925474-1](#) [928905-1](#) [964562-4](#) [968782-1](#) [GT17SA-8DS-](#)
[HU](#) [98891-1012](#) [98947-1016](#) [12004147](#) [12004475-L](#) [12010290](#) [12010309-B](#) [12015454](#) [12020219-B](#) [12020308](#) [12041318-B](#) [12052225-L](#)
[12052466](#) [12059125](#) [12064869](#) [12004327-B](#) [12010503-B](#) [12015308](#) [12015384](#) [12015909](#) [1-21030-1](#) [12041254](#) [12041318](#) [12047946-B](#)
[12047957](#) [12047957-L](#) [12059473](#) [12066261](#)