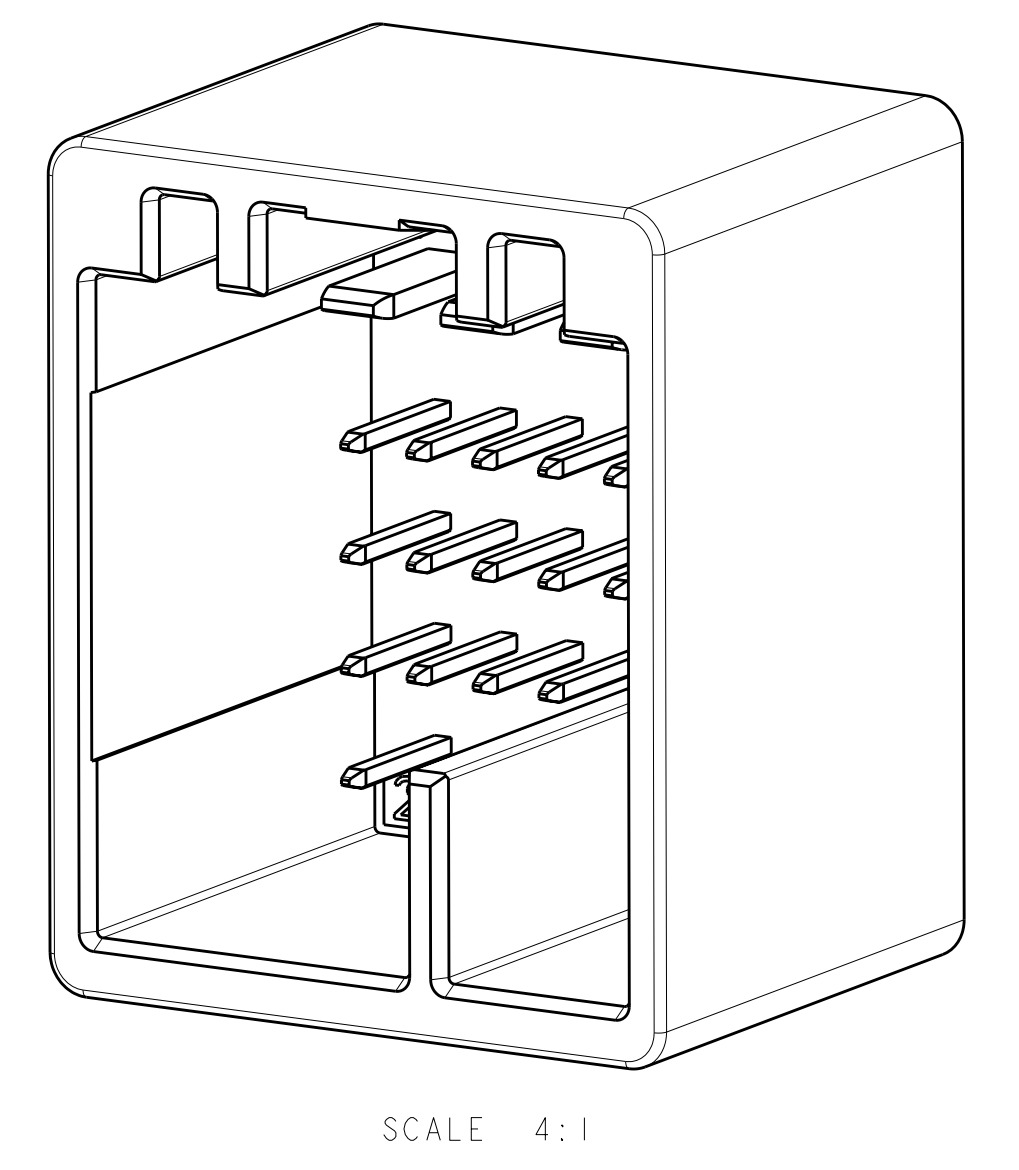
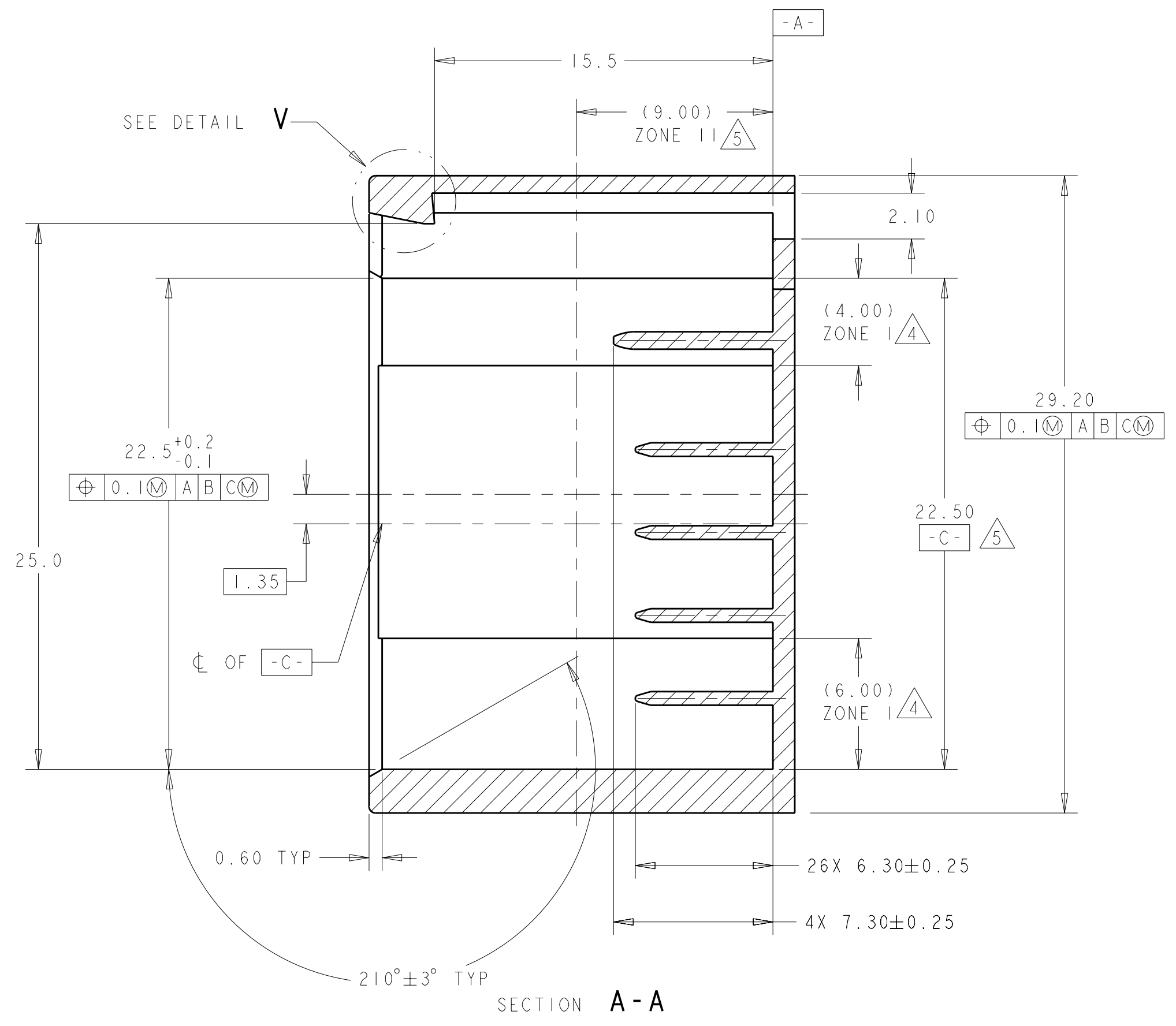
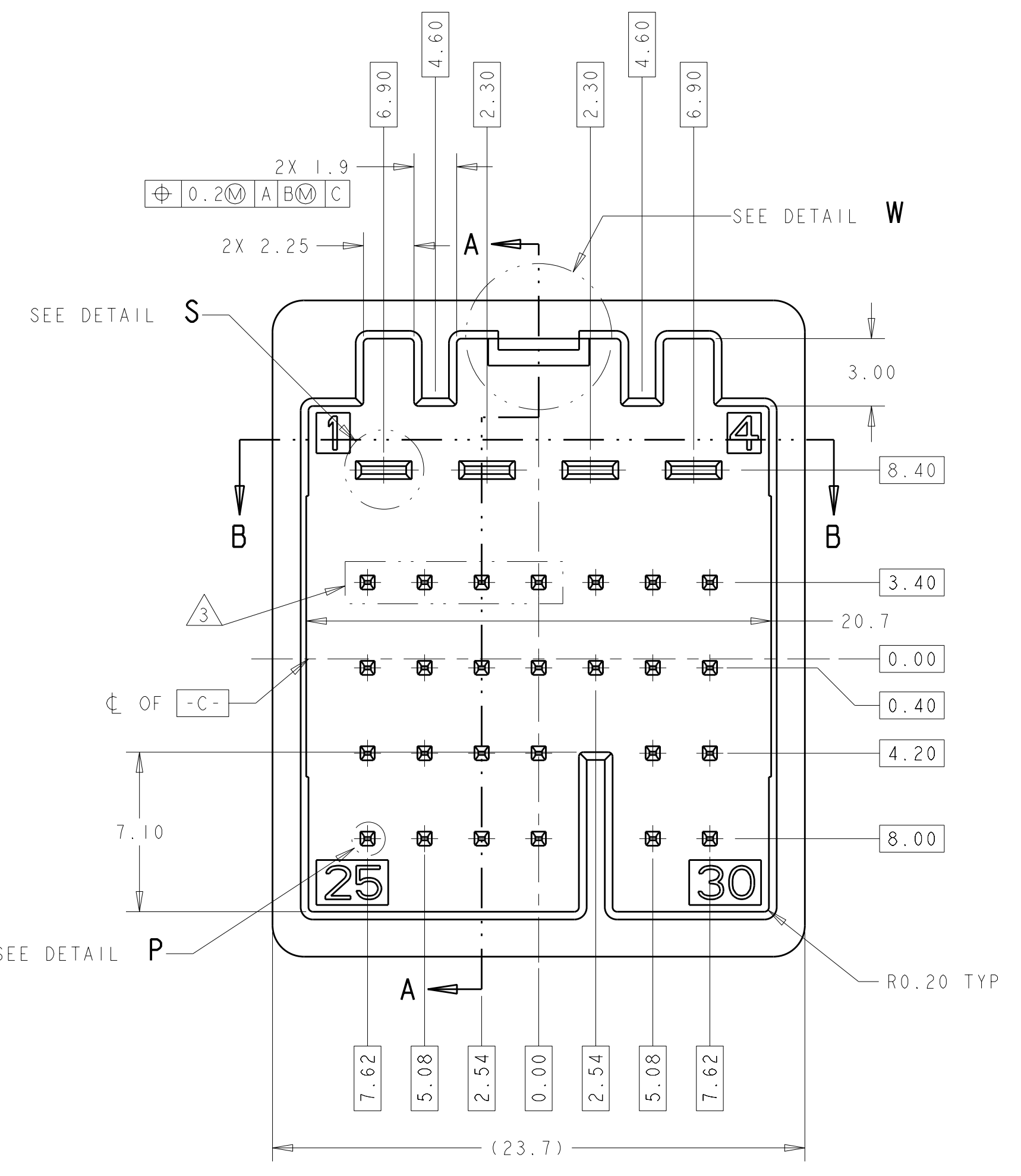
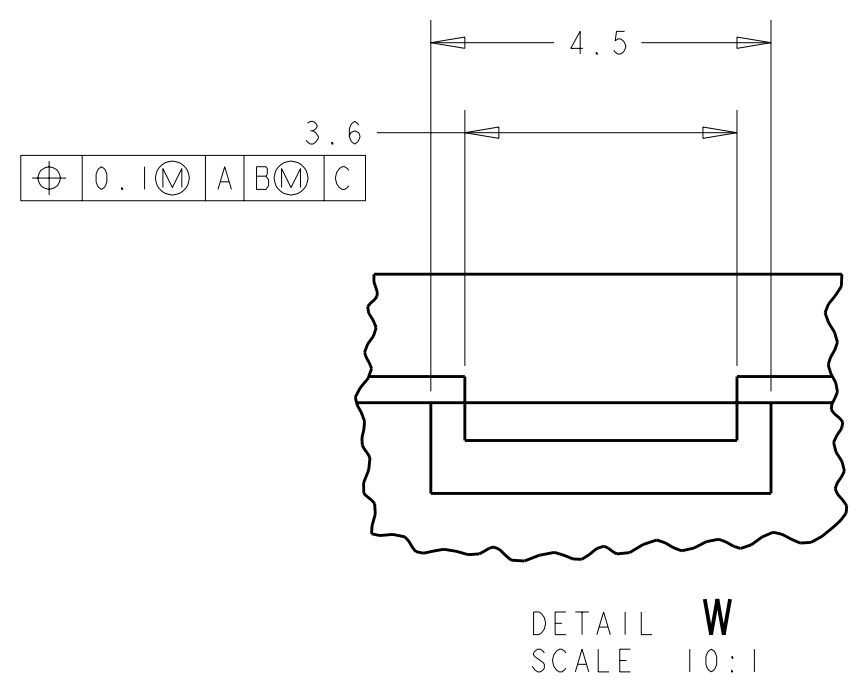
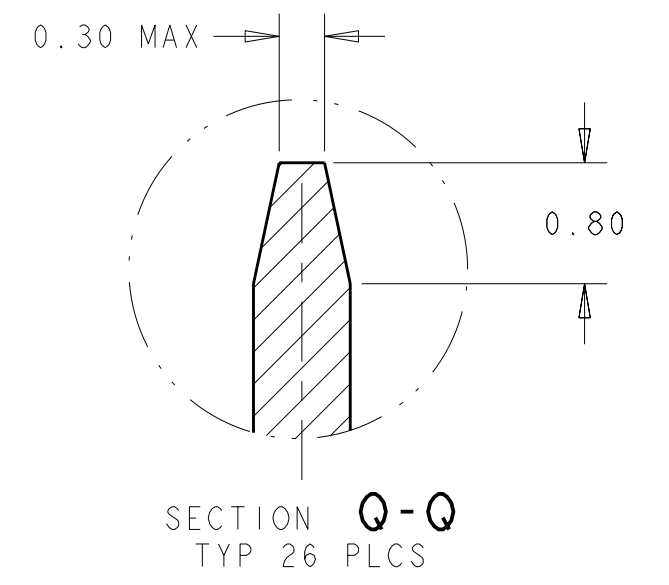
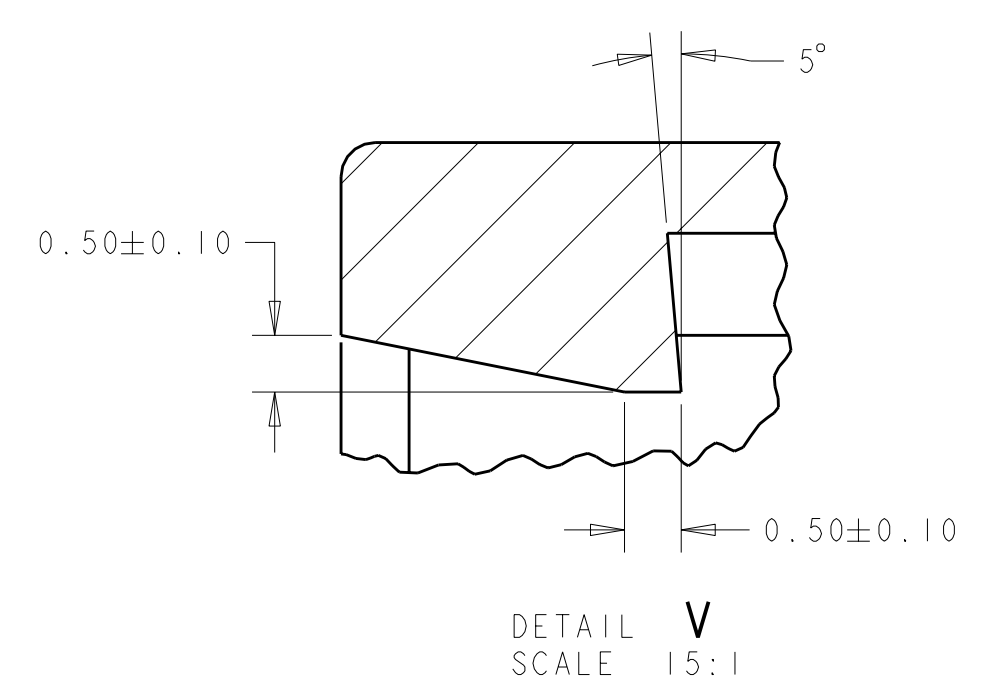
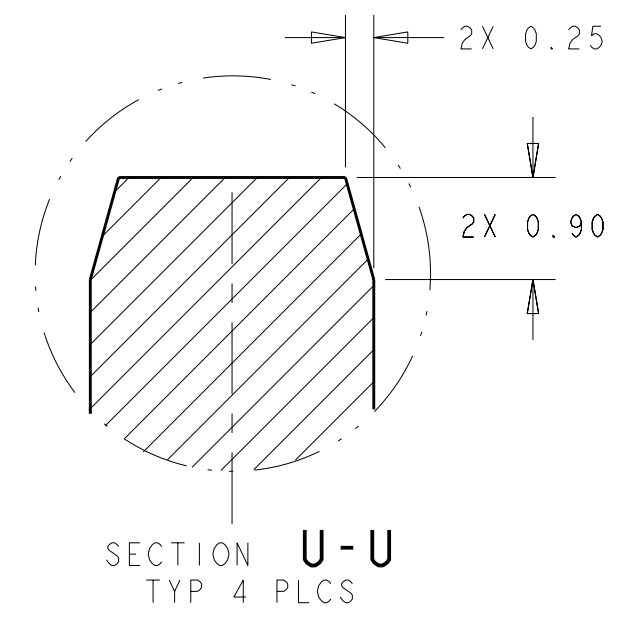
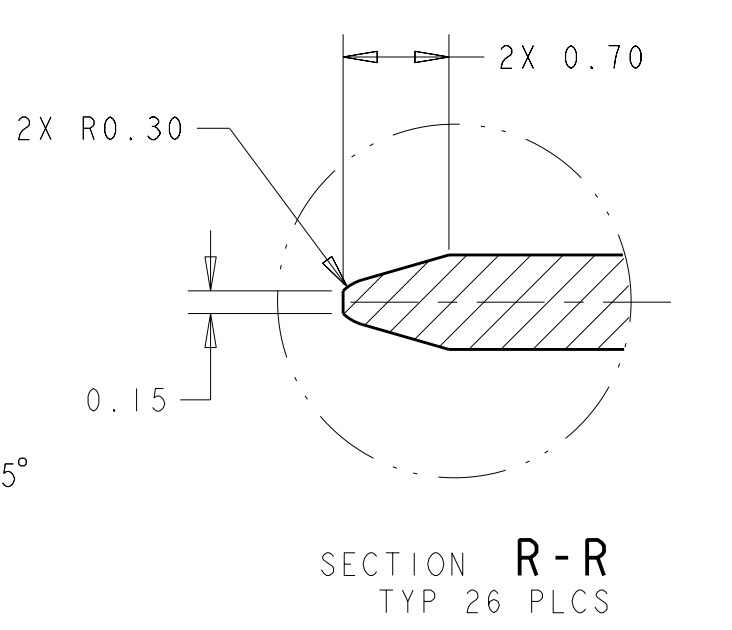
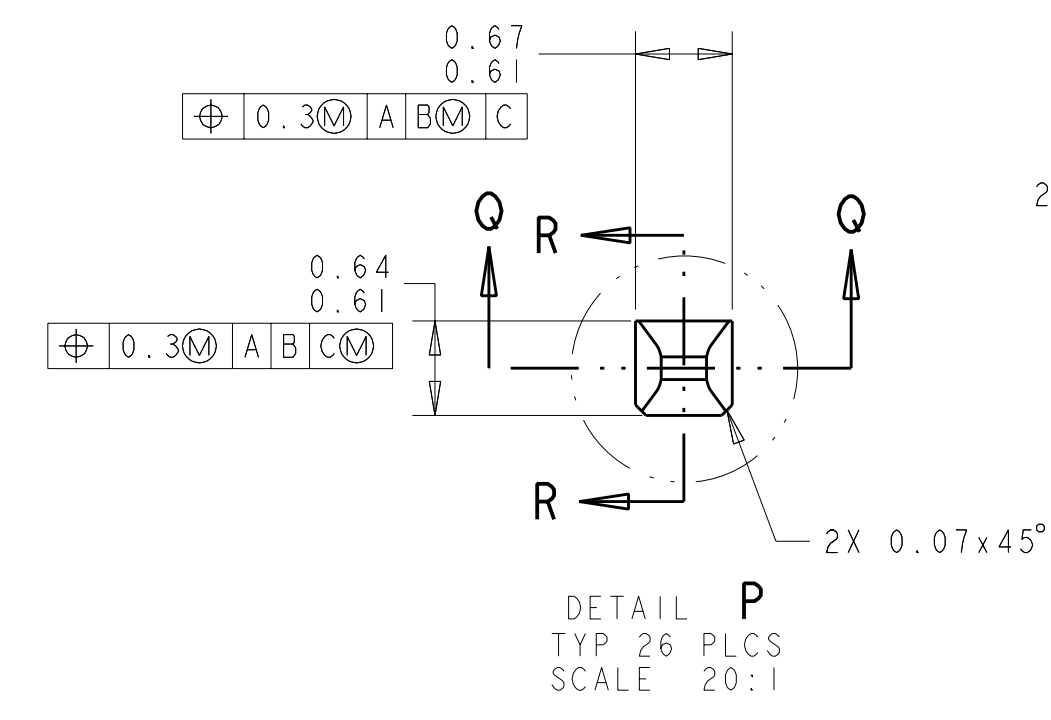
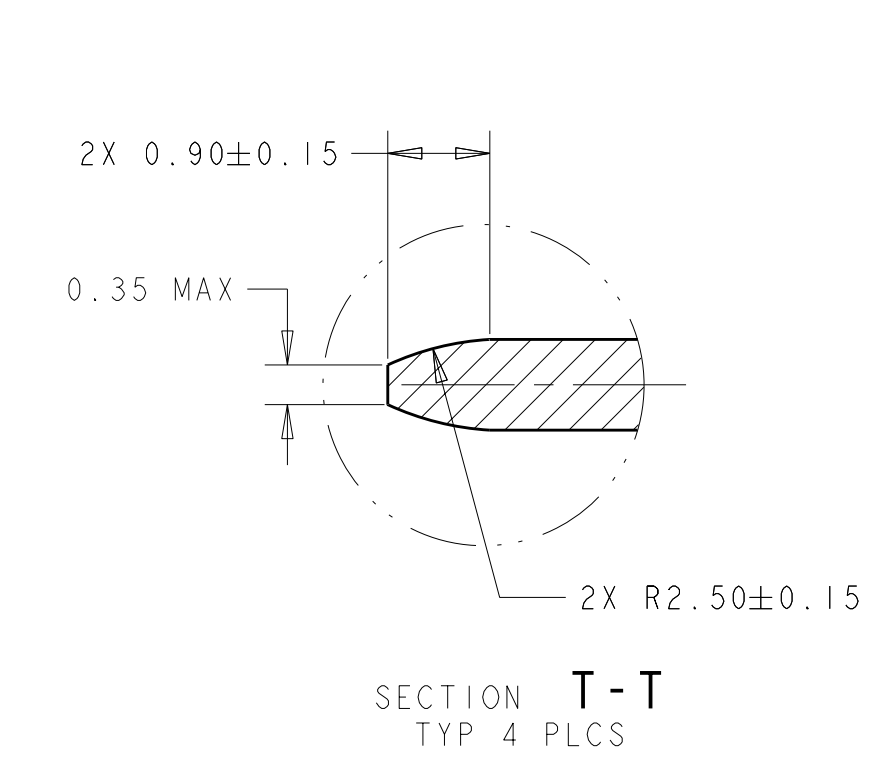
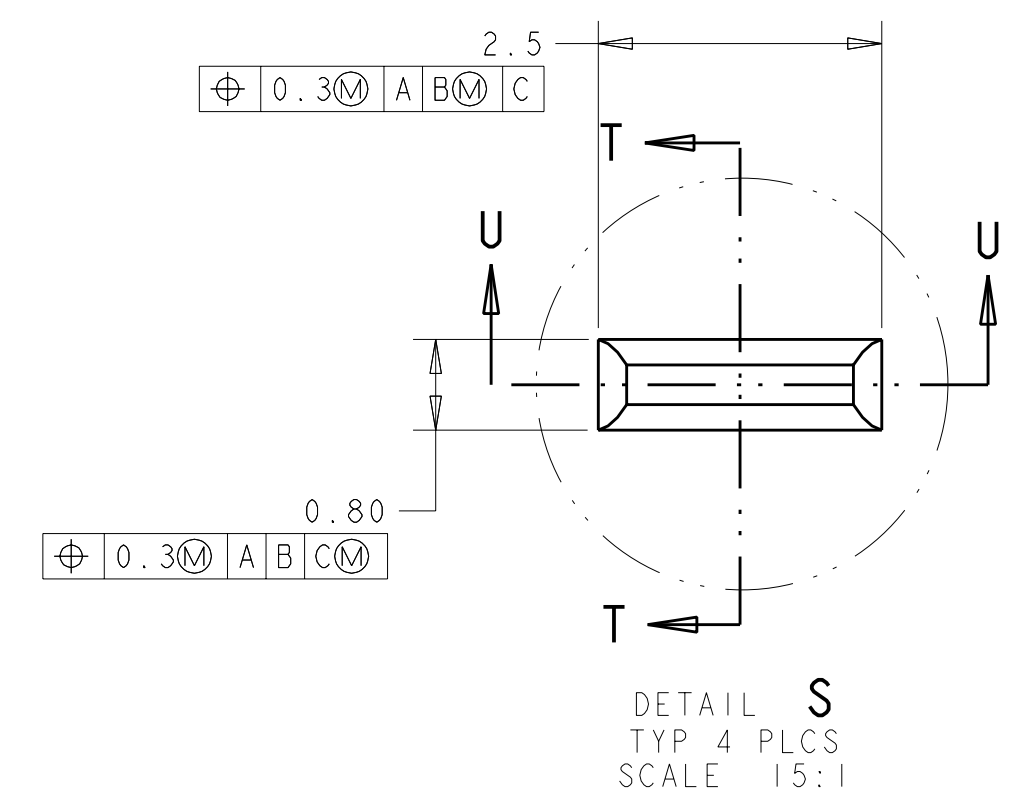
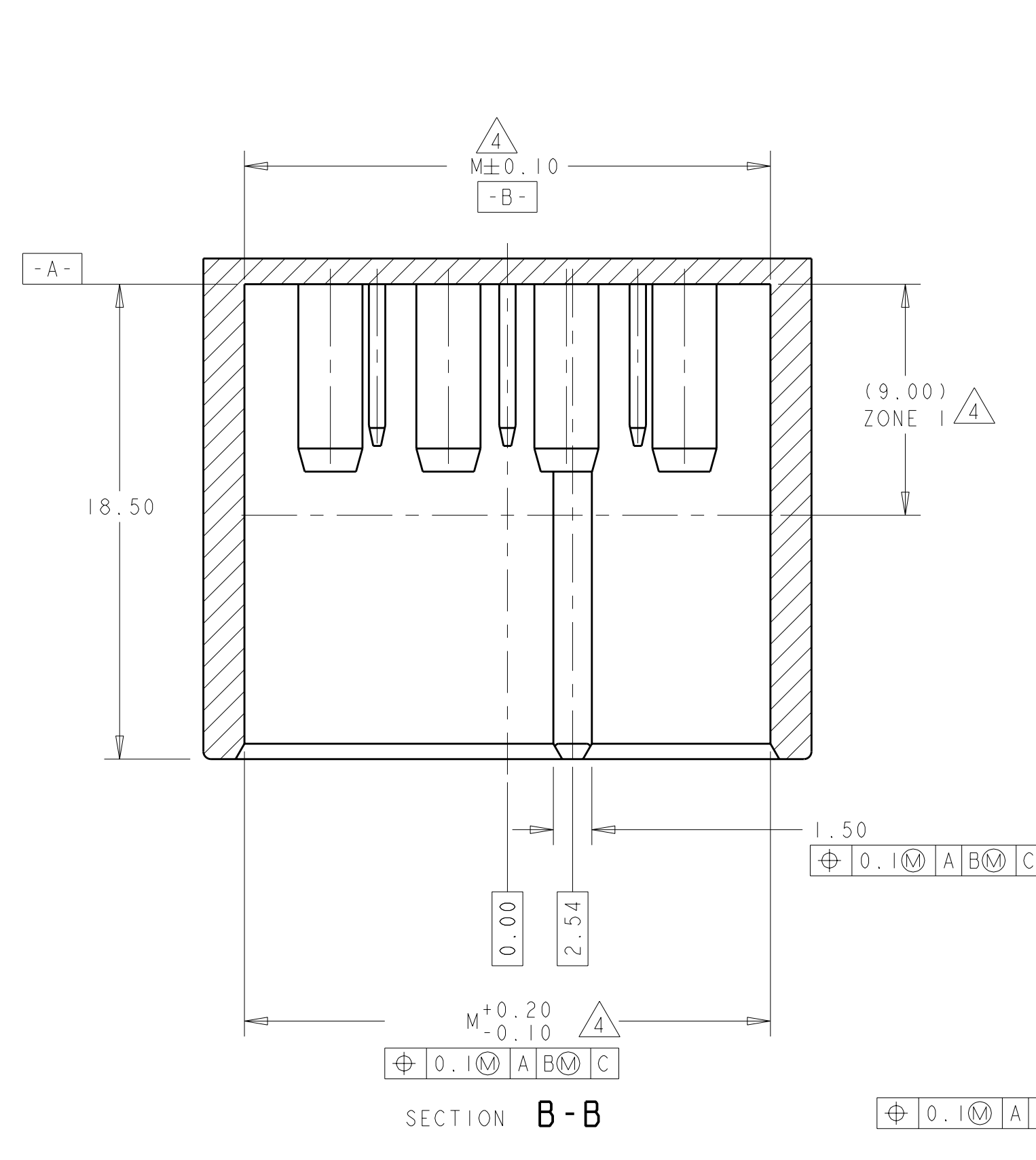


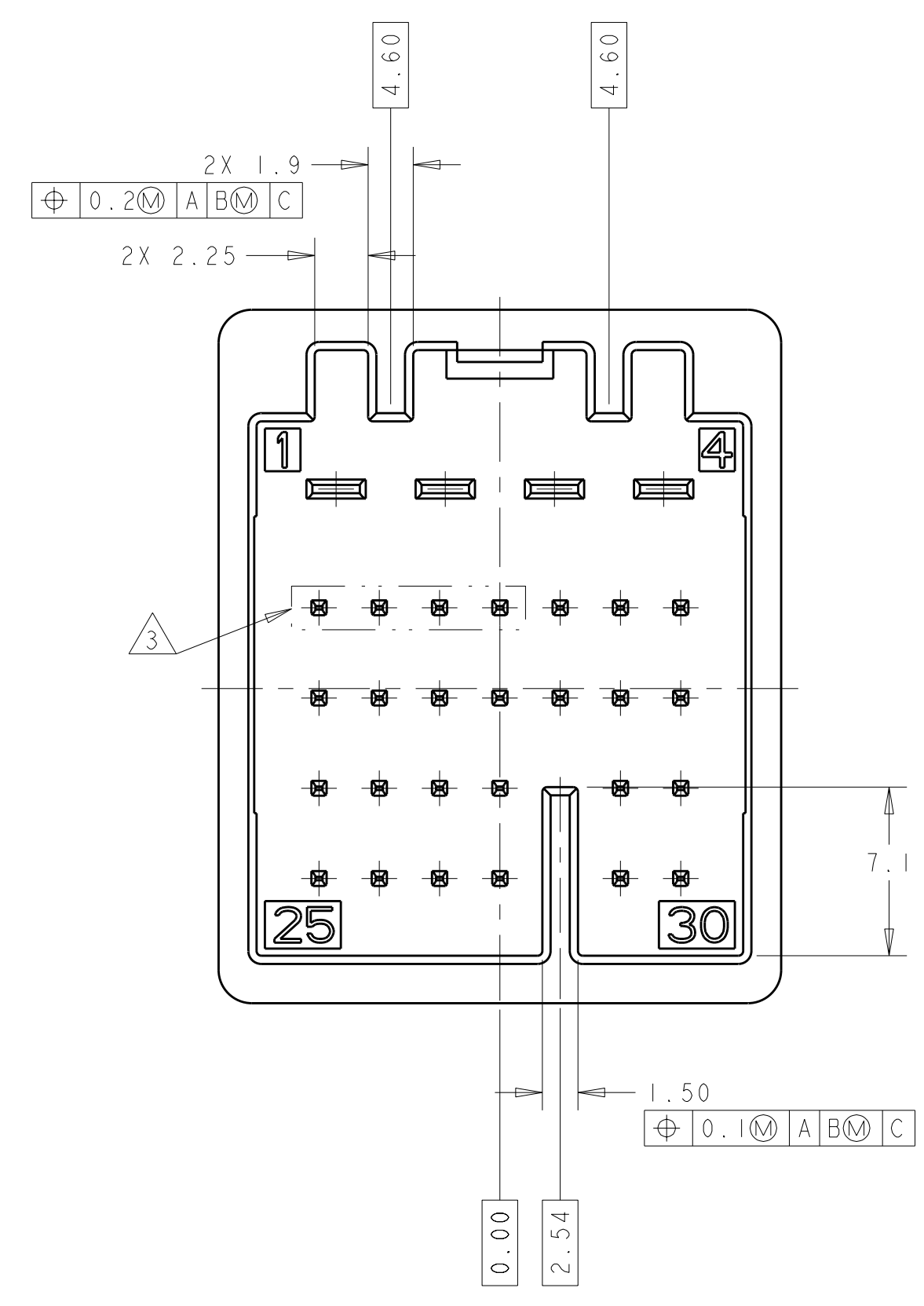
LOC	DIST	REV	DATE	BY	APPD
AV	IN	A	12MAY2011	DLD	CJS



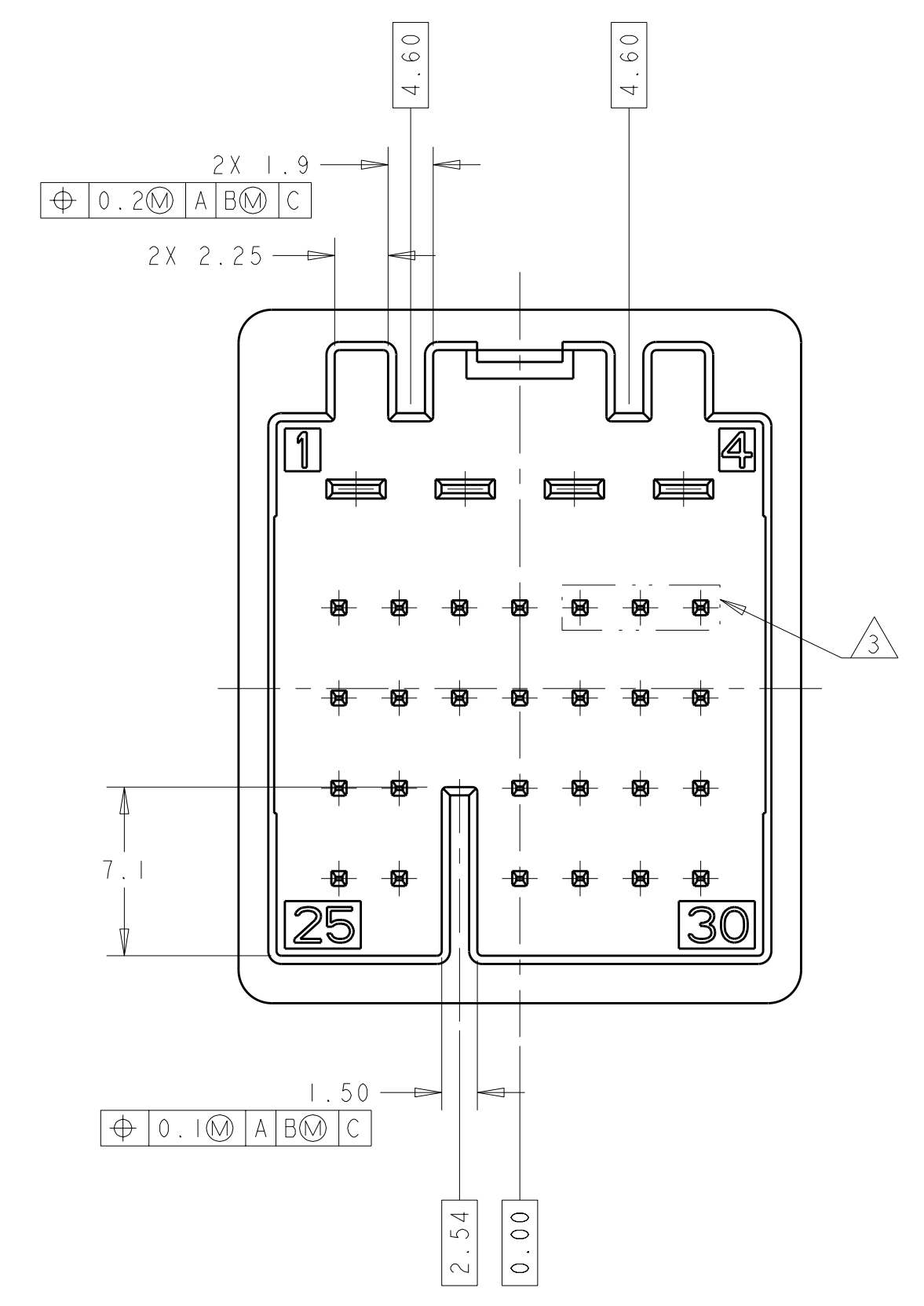
- NOTES:
- KEYING OPTION "A" SHOWN IN GENERAL VIEWS.
  - 0.64 PINS: 0.8µm MIN TIN FOR A LENGTH OF 4.15 MIN FROM MATING END, OVER 2.0µm MIN NICKEL.
  - 2.8 BLADES: 0.8µm MIN TIN FOR A LENGTH OF 6.2 MIN FROM MATING END, OVER 2.0µm MIN NICKEL.
  - OPTIONAL
  - DATUM SIZE AND DIMENSION TO BE MEASURED IN ZONE I
  - DATUM SIZE TO BE MEASURED IN ZONE II
  - DRAFT WITHIN TOLERANCE.
  - ALL UNMARKED RADII TO BE R0.2±0.1, UNLESS OTHERWISE SPECIFIED.
  - MATES WITH TE PART # 2098067

THIS DRAWING IS A CONTROLLED DOCUMENT.		DWN: S. VINAY 04SEP2009	TE Connectivity										
DIMENSIONS: mm		CHK: GALEN MARTIN 04SEP2009											
TOLERANCES UNLESS OTHERWISE SPECIFIED:		APVD: GALEN MARTIN 04SEP2009	NAME: INTERFACE DRAWING 0.64 X 2.8 UNSEALED										
<table border="1"> <tr> <td>9 PLC</td> <td>±0.0</td> </tr> <tr> <td>3 PLC</td> <td>±0.1</td> </tr> <tr> <td>5 PLC</td> <td>±0.05</td> </tr> <tr> <td>4 PLC</td> <td>±</td> </tr> <tr> <td>ANGLES</td> <td>±1°</td> </tr> </table>		9 PLC	±0.0	3 PLC	±0.1	5 PLC	±0.05	4 PLC	±	ANGLES	±1°	PRODUCT SPEC:	SIZE: CAGE CODE: DRAWING NO: A1100779C=2098385
9 PLC	±0.0												
3 PLC	±0.1												
5 PLC	±0.05												
4 PLC	±												
ANGLES	±1°												
MATERIAL: FINISH:		APPLICATION SPEC:	RESTRICTED TO:										
CUSTOMER DRAWING		WEIGHT:	SCALE: 5:1 SHEET 1 OF 2 REV A										

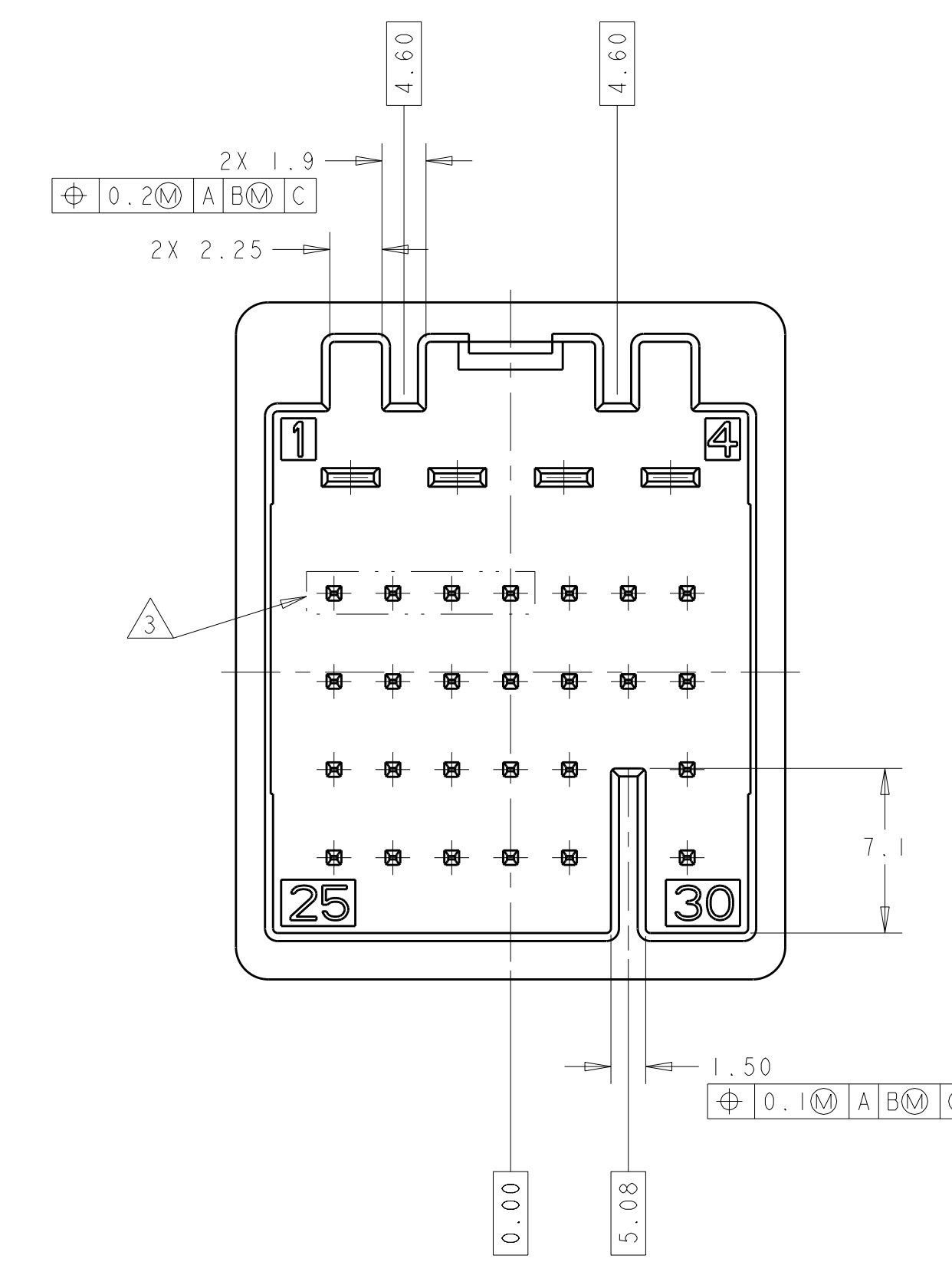
LOC	DIST	REV	DATE	BY	APPD
AV	IN				
REVISIONS			DESCRIPTION	DATE	DWN
			SEE SHEET 1		



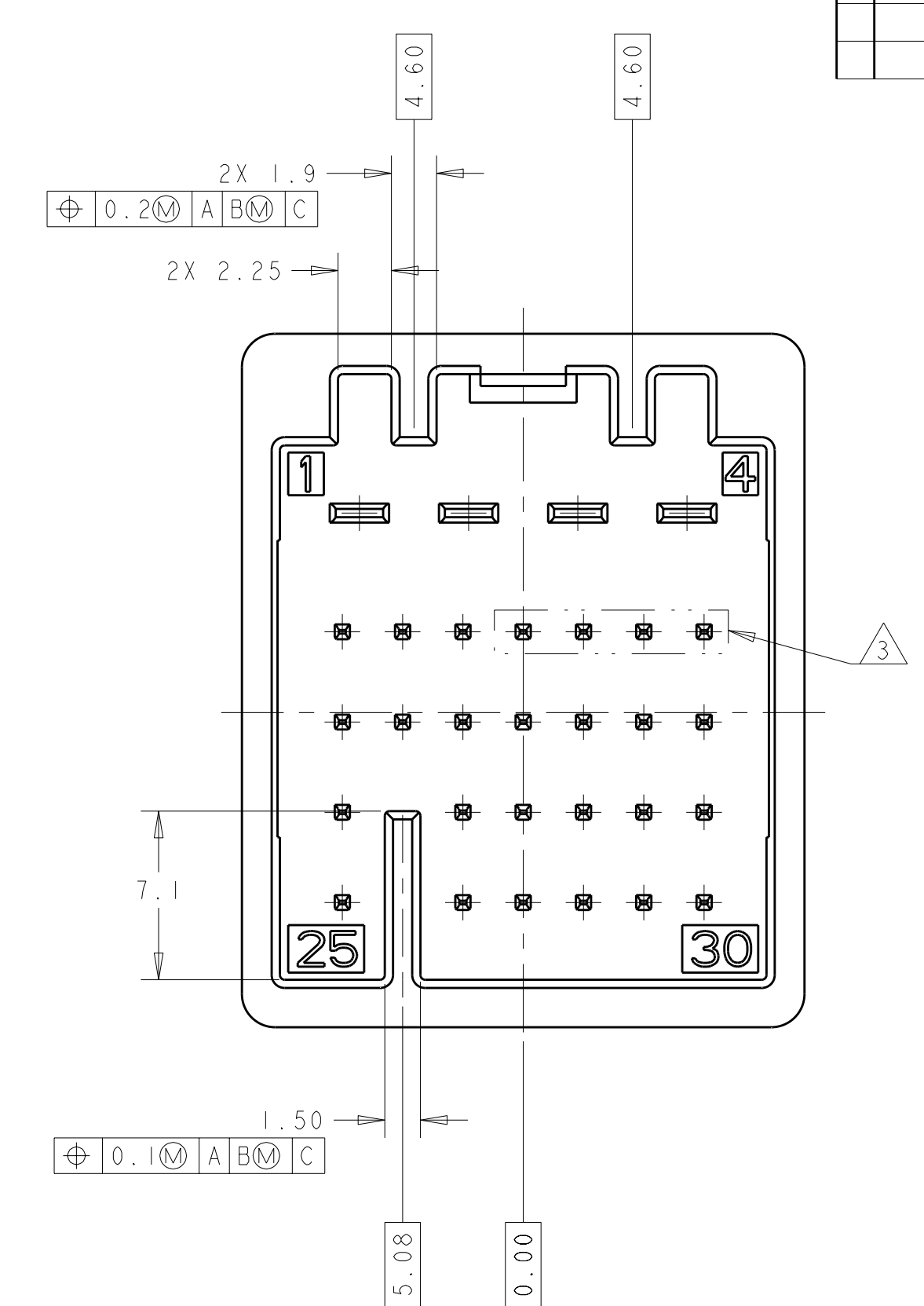
**KEYING OPTION "A"**  
2098385-1



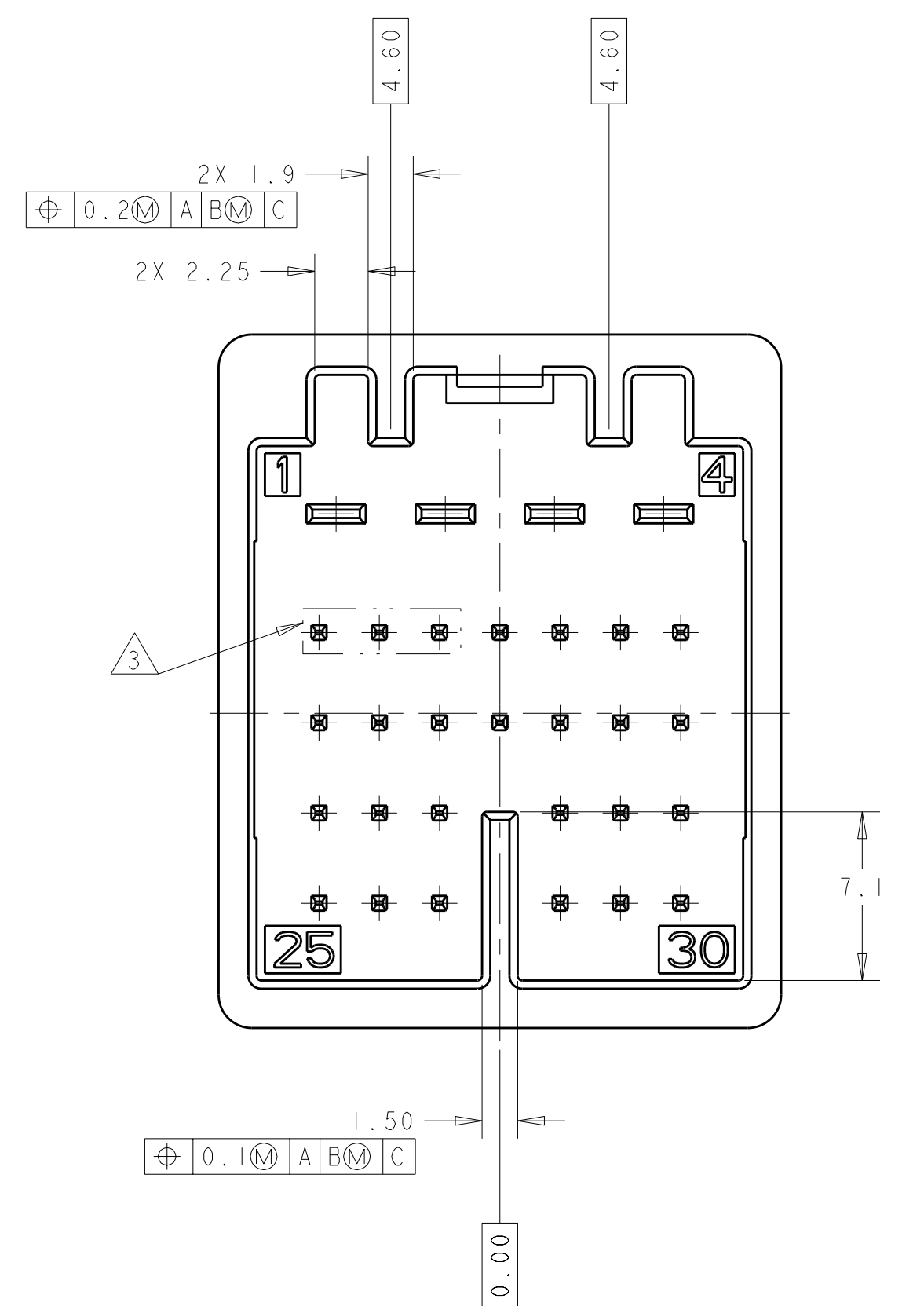
**KEYING OPTION "B"**  
2098385-2



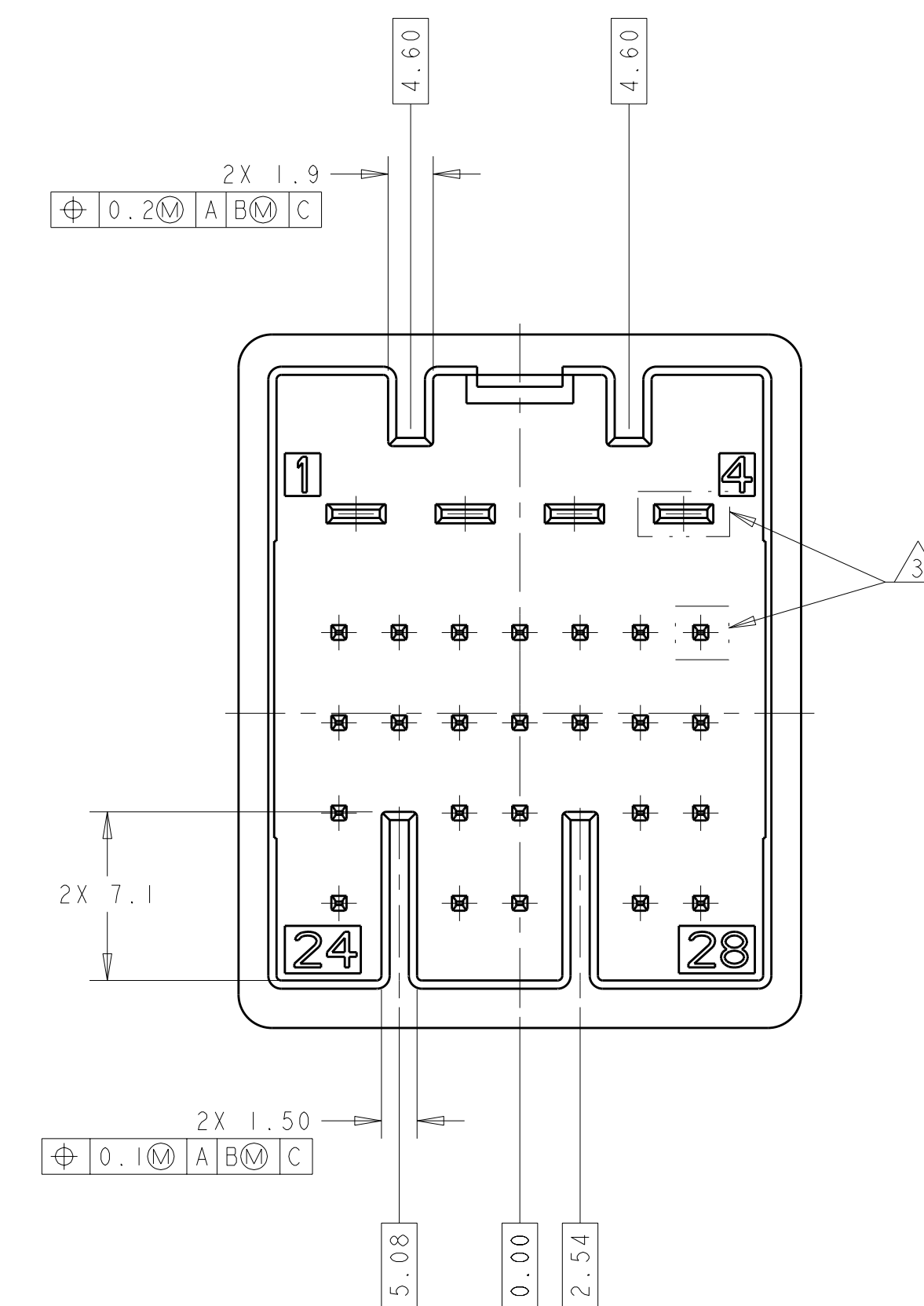
**KEYING OPTION "C"**  
2098385-3



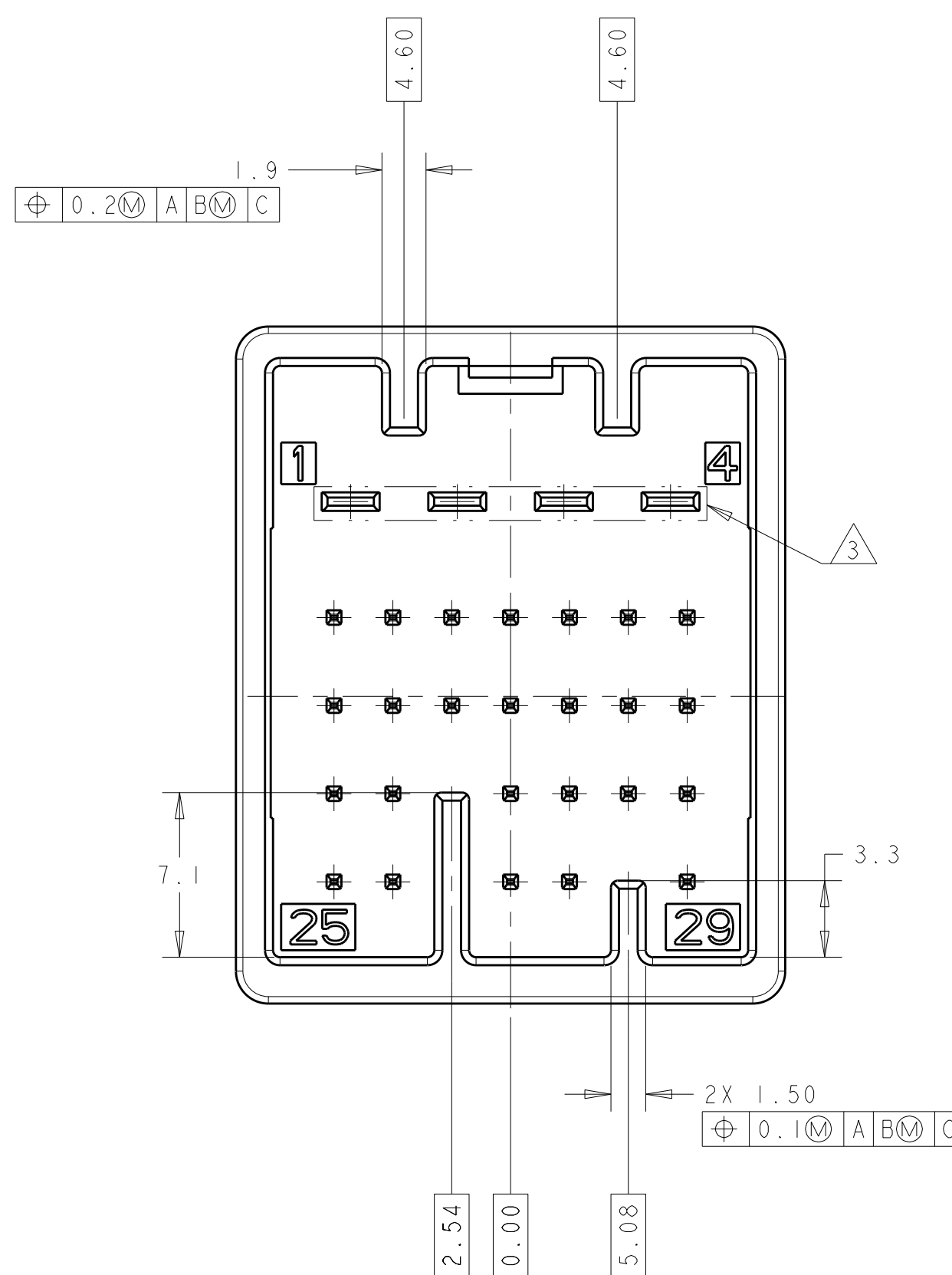
**KEYING OPTION "D"**  
2098385-4



**KEYING OPTION "E"**  
2098385-5



**KEYING OPTION "F"**  
2098385-6



**KEYING OPTION "G"**  
2098385-7

19.9	2098385-7
20.5	2098385-6
20.5	2098385-5
20.5	2098385-4
20.5	2098385-3
20.5	2098385-2
20.5	2098385-1
DIM M	PART NUMBER

THIS DRAWING IS A CONTROLLED DOCUMENT.

DIMENSIONS:	TOLERANCES UNLESS OTHERWISE SPECIFIED:	DWN S. VINAY 04SEP2009	TE Connectivity <b>INTERFACE DRAWING</b> 0.64 X 2.8 UNSEALED
mm	9 PLC ±0.0 1 PLC ±0.1 3 PLC ±0.05 4 PLC ± ANGLES ±1°	CHK GALEN MARTIN 04SEP2009 APPD GALEN MARTIN 04SEP2009 PRODUCT SPEC APPLICATION SPEC	
MATERIAL	FINISH	WEIGHT	SIZE CAGE CODE DRAWING NO. RESTRICTED TO A100779C=2098385 CUSTOMER DRAWING SCALE 4:1 SHEET 2 OF 2 REV A

## X-ON Electronics

Largest Supplier of Electrical and Electronic Components

*Click to view similar products for [Automotive Connectors](#) category:*

*Click to view products by [TE Connectivity](#) manufacturer:*

Other Similar products are found below :

[003-018-000](#) [60403001](#) [60993906-B](#) [M902-2131](#) [M902-2161](#) [M902-2344](#) [72.330.1035.1](#) [73.353.4028.0](#) [F119300-B](#) [F166900](#) [F258300-B](#)  
[F358300-B](#) [F407400](#) [F444110](#) [F487000](#) [F509500B-B](#) [827153-1](#) [8N1515-32-24P](#) [9-1326729-8](#) [925474-1](#) [928905-1](#) [964562-4](#) [968782-1](#)  
[GT17SA-8DS-HU](#) [98891-1012](#) [98947-1016](#) [12004147](#) [12004475-L](#) [12010290](#) [12010309-B](#) [12015454](#) [12020219-B](#) [12041318-B](#) [12052225-](#)  
[L](#) [12052466](#) [12064869](#) [12004327-B](#) [12015308](#) [12015384](#) [12015909](#) [1-21030-1](#) [12041254](#) [12041318](#) [12047946-B](#) [12047957](#) [12047957-L](#)  
[12059473](#) [12066261](#) [12110546](#) [12110546-B](#)