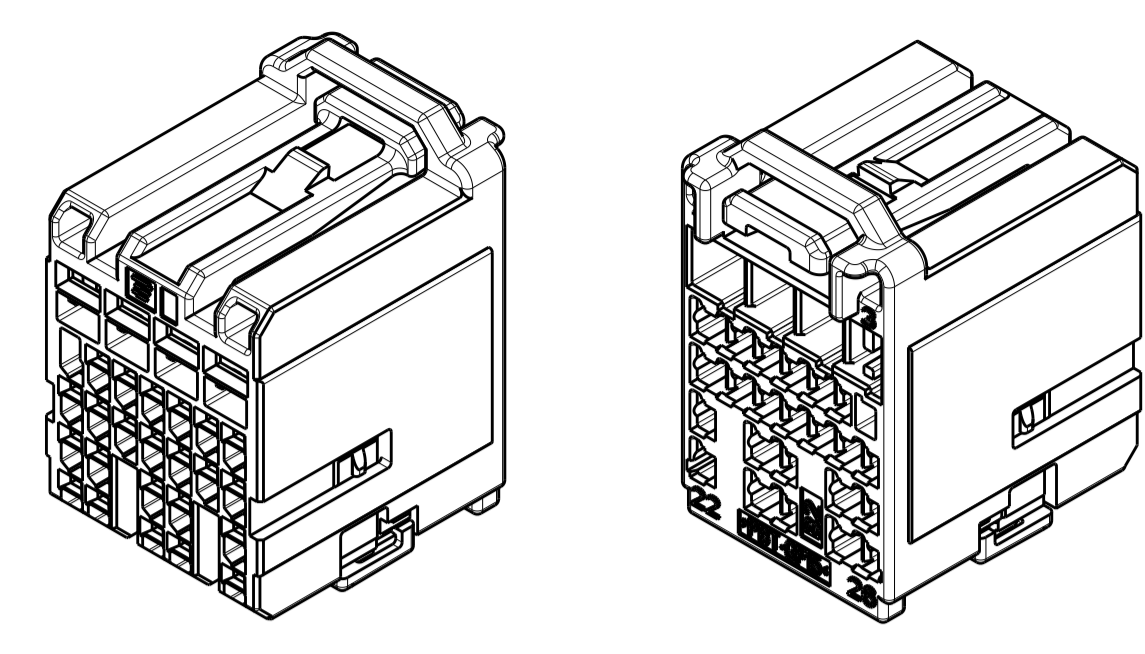
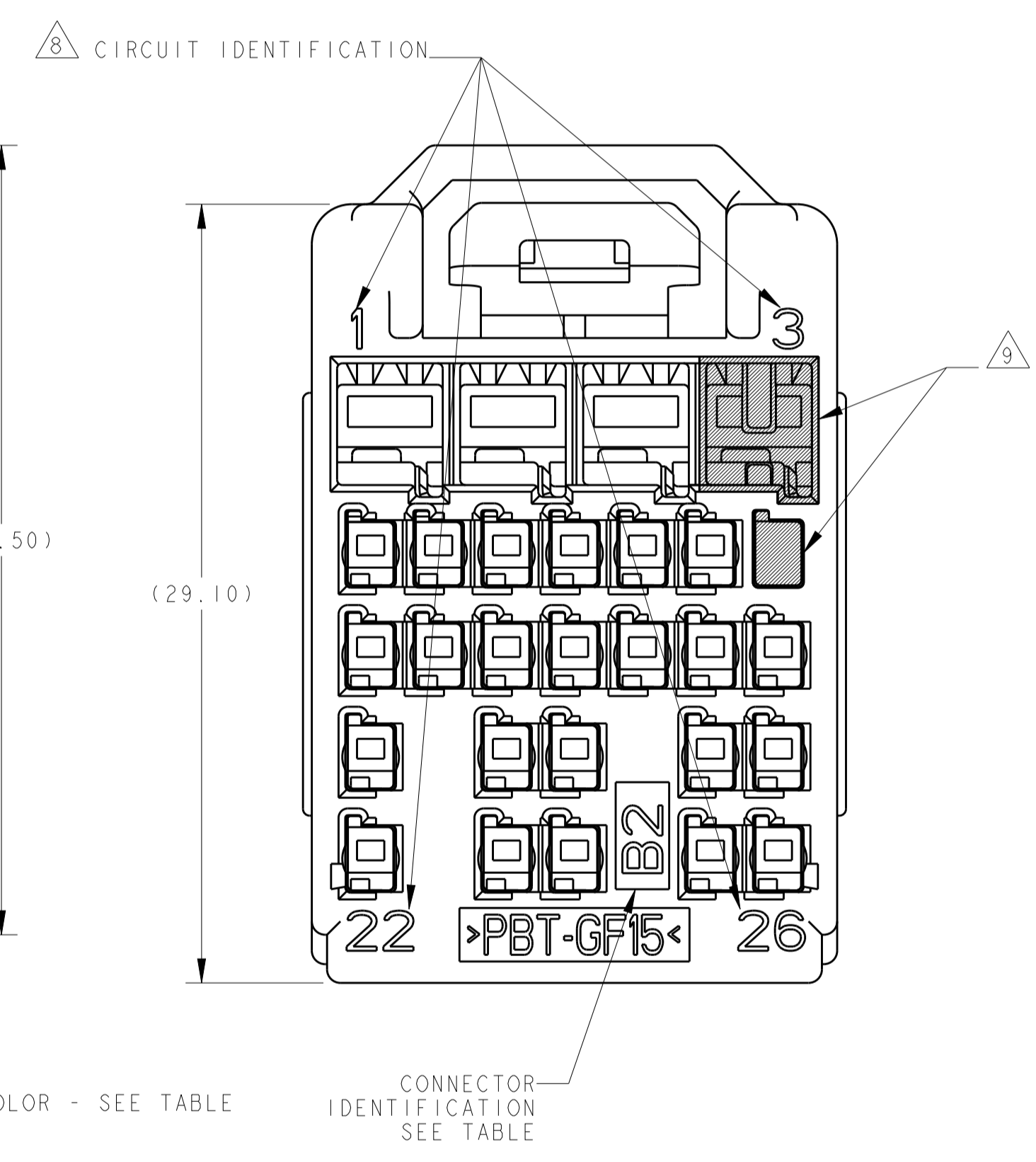
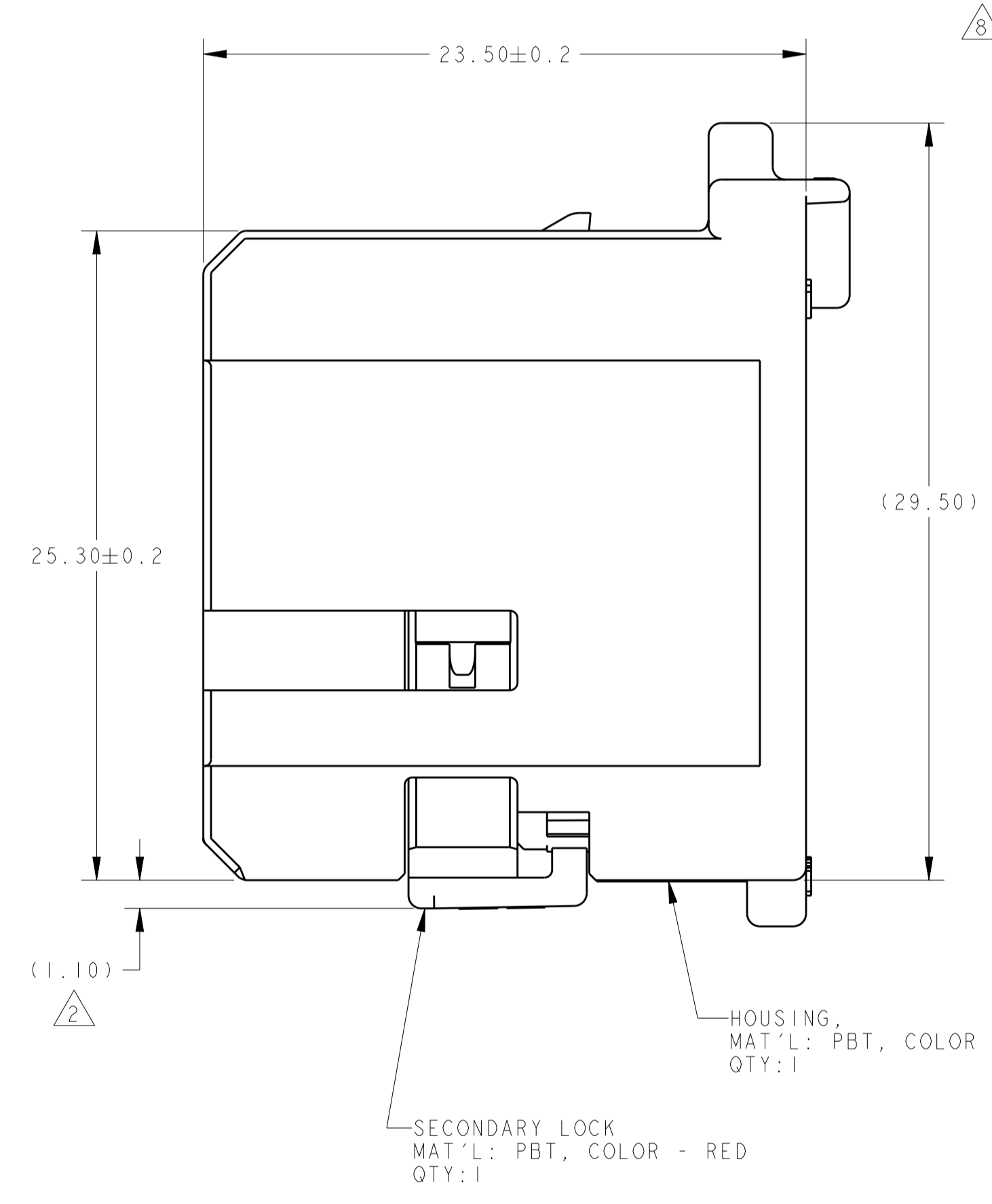
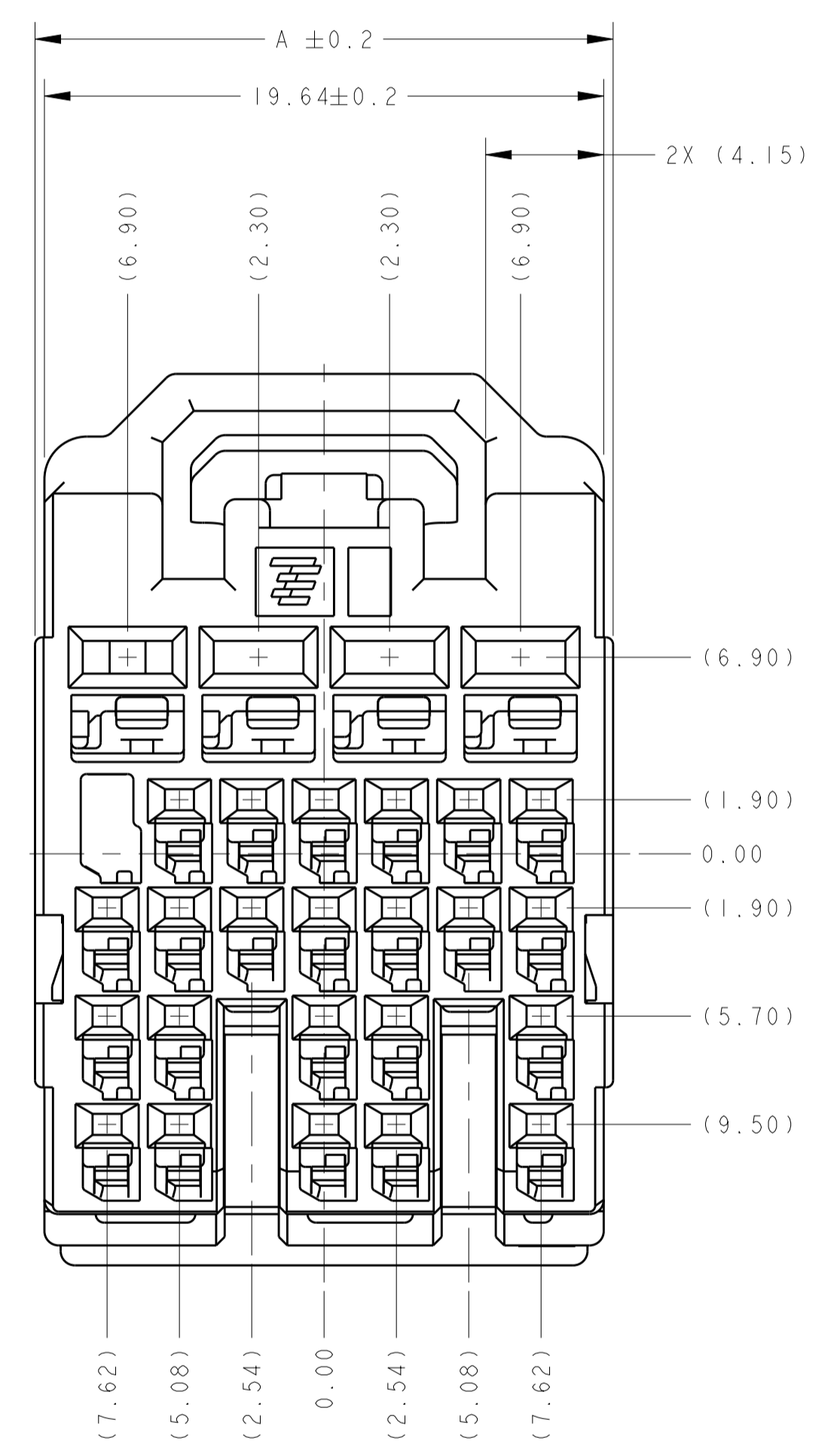


| LOC | DIST | REVISIONS |     |                           |           |     |      |
|-----|------|-----------|-----|---------------------------|-----------|-----|------|
|     |      | P         | LTN | DESCRIPTION               | DATE      | DWN | APVD |
|     |      | B         |     | REVISED PER ECO-11-019475 | 31OCT2011 | DLD | CJS  |
|     |      | B1        |     | REVISED PER ECO-12-012796 | 19JUL2012 | DLD | CJS  |
|     |      | C         |     | REVISED PER ECO-12-017192 | 01NOV2012 | DLD | CJS  |



ISOMETRIC VIEWS  
SCALE 2:1

- 2098067-6 SHOWN, SEE PART NUMBER TABLE AND CIRCUIT AND KEYING ARRANGEMENT VIEWS TABLE ON SHEET 2.
- SECONDARY LOCK PLATE TO BE SHIPPED IN STAGED POSITION. SHOULD SECONDARY LOCK PLATE BECOME ENGAGED, PLEASE SEE INSTRUCTION SHEET 408-10318 FOR DIRECTION ON DISENGAGING THE SECONDARY LOCK PLATE.
- SIGNAL TERMINALS, TE GENERATION Y, DRAWING NO. 1924727.
- USE WITH POWER TERMINALS, SUMITOMO US280, PART NUMBERS 8100-4443, 8100-4444, 8100-4445.
- USE WITH MATING INTERFACE SHOWN ON TE DRAWING NUMBER 2098385.
- GMW3191 PERFORMANCE STANDARD, WHERE APPLICABLE, EXCEPT THE AVERAGE PRIMARY TERMINAL EXTRACTION FORCE TO BE EQUAL TO OR GREATER THAN 25N FOR THE 0.64 TERMINAL AND SECONDARY LOCK PLATE ENGAGE FORCE TO BE 48N MAX.
- TEMPERATURE CLASS 1, -40° C TO 85° C
- SEE "CIRCUIT AND KEYING ARRANGEMENT VIEWS" TABLE ON SHEET 2 FOR NUMERIC CHARACTERS.
- CROSSHATCHING INDICATES A BLOCKED CAVITY. CAVITY WILL NOT ACCEPT TERMINAL INSERTION. SEE "CIRCUIT AND KEYING ARRANGEMENT VIEWS" ON SHEET 2.



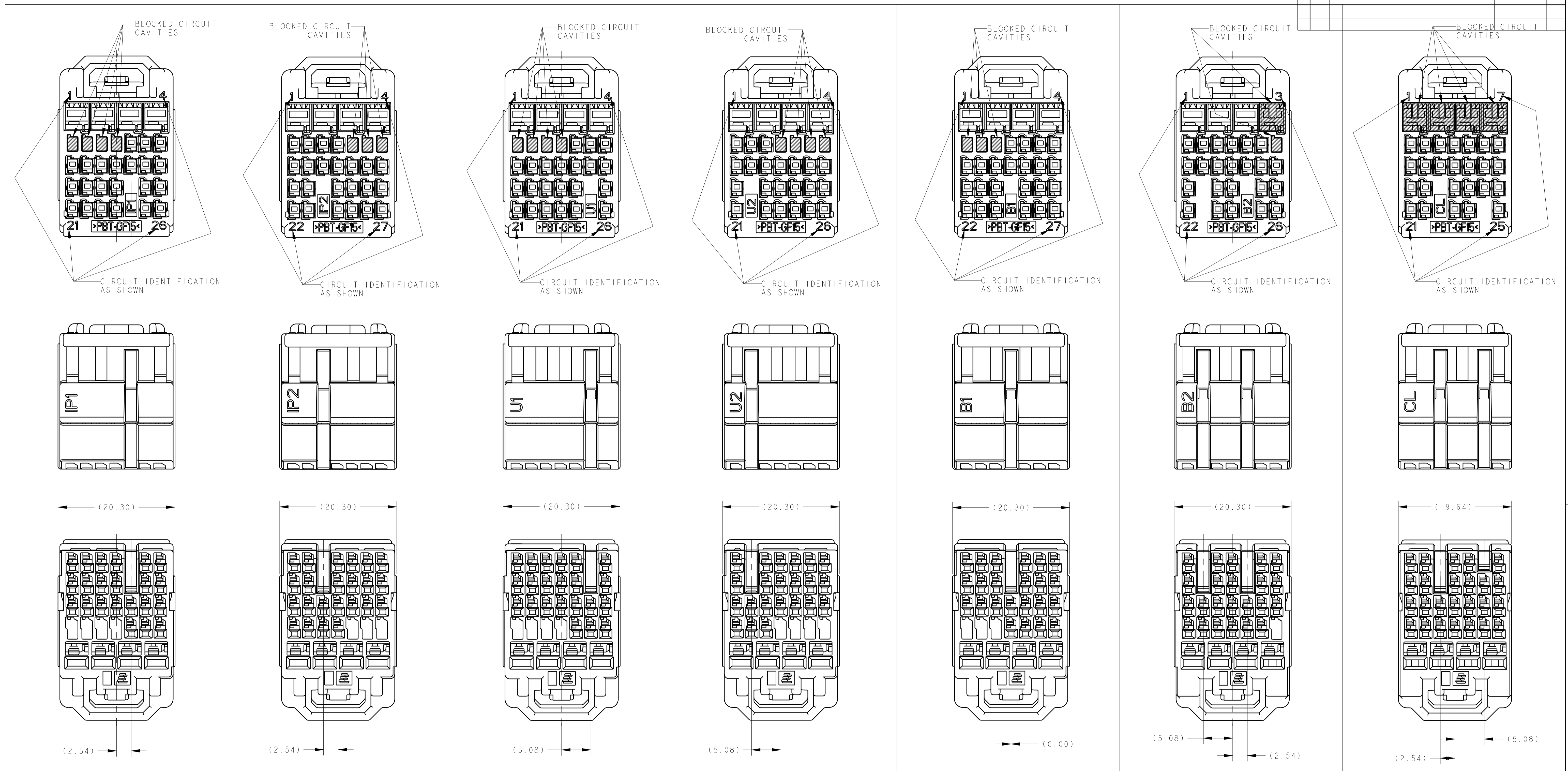
| PARTITIONED | HOUSING COLOR | CONNECTOR IDENTIFICATION | DIM A | PART NUMBER |
|-------------|---------------|--------------------------|-------|-------------|
| PARTITIONED | GREEN         | CL                       | N/A   | 1-2098067-7 |
| PARTITIONED | GRAY          | B2                       | 20.30 | 1-2098067-6 |
| PARTITIONED | PINK          | B1                       | 20.30 | 1-2098067-5 |
| PARTITIONED | BROWN         | U2                       | 20.30 | 1-2098067-4 |
| PARTITIONED | BLACK         | U1                       | 20.30 | 1-2098067-3 |
| PARTITIONED | BLUE          | IP2                      | 20.30 | 1-2098067-2 |
| PARTITIONED | NATURAL       | IPI                      | 20.30 | 1-2098067-1 |
| BULK        | GREEN         | CL                       | N/A   | 2098067-7   |
| BULK        | GRAY          | B2                       | 20.30 | 2098067-6   |
| BULK        | PINK          | B1                       | 20.30 | 2098067-5   |
| BULK        | BROWN         | U2                       | 20.30 | 2098067-4   |
| BULK        | BLACK         | U1                       | 20.30 | 2098067-3   |
| BULK        | BLUE          | IP2                      | 20.30 | 2098067-2   |
| BULK        | NATURAL       | IPI                      | 20.30 | 2098067-1   |
| PACKAGING   | HOUSING COLOR | CONNECTOR IDENTIFICATION | DIM A | PART NUMBER |

THIS DRAWING IS A CONTROLLED DOCUMENT. DWN: JR SHUEY 02APR2009  
 CHK: GM MARTIN 02APR2009  
 DIMENSIONS: mm TOLERANCES UNLESS OTHERWISE SPECIFIED: 0 PLC ±, 1 PLC ±, 2 PLC ±, 3 PLC ±, 4 PLC ±, ANGLES ±, FINISH ±

Customer Drawing SCALE 5:1 SHEET 1 OF 2 REV C

**STE** TE Connectivity  
 PLUG ASSEMBLY, UNSEALED HYBRID, A BCM  
 A100779C=2098067

| LOC | DIST | REV | DATE | APPD | APPR |
|-----|------|-----|------|------|------|
| 1N  | 00   |     |      |      |      |



CIRCUIT AND KEYING ARRANGEMENT VIEWS

|  |   |  |  |
|--|---|--|--|
| THIS DRAWING IS A CONTROLLED DOCUMENT. |   | DWN: JR. SHUEY 02APR2009<br>CHK: GM MARTIN 02APR2009<br>APD: GM MARTIN 02APR2009 | TE Connectivity<br>NAME: PLUG ASSEMBLY, UNSEALED HYBRID, A BCM |
| DIMENSIONS:<br>mm<br>                  | TOLERANCES UNLESS OTHERWISE SPECIFIED:<br>0 PLC ±<br>1 PLC ±<br>2 PLC ±<br>3 PLC ±<br>4 PLC ±<br>ANGLES ±<br>FINISH ± | PRODUCT SPEC<br>APPLICATION SPEC<br>WEIGHT<br>Customer Drawing                   |  |
| MATERIAL: SEE CALLOUT                  |   | SIZE: A100779C=2098067<br>SCALE: 5:1<br>SHEET: 2 OF 2<br>REV: C                  | RESTRICTED TO  |

## X-ON Electronics

Largest Supplier of Electrical and Electronic Components

*Click to view similar products for [Automotive Connectors](#) category:*

*Click to view products by [TE Connectivity](#) manufacturer:*

Other Similar products are found below :

[003-018-000](#) [60403001](#) [60993906-B](#) [M902-2131](#) [M902-2161](#) [72.330.1035.1](#) [73.353.4028.0](#) [F119300-B](#) [F166900](#) [F258300-B](#) [F358300-B](#)  
[F407400](#) [F444110](#) [F487000](#) [F509500B-B](#) [827153-1](#) [8N1515-32-24P](#) [9-1326729-8](#) [925474-1](#) [928905-1](#) [964562-4](#) [968782-1](#) [GT17SA-8DS-](#)  
[HU](#) [98891-1012](#) [98947-1016](#) [12004147](#) [12004475-L](#) [12010290](#) [12010309-B](#) [12015454](#) [12020219-B](#) [12020308](#) [12041318-B](#) [12052225-L](#)  
[12052466](#) [12059125](#) [12064869](#) [12004327-B](#) [12010503-B](#) [12015308](#) [12015384](#) [12015909](#) [1-21030-1](#) [12041254](#) [12041318](#) [12047946-B](#)  
[12047957](#) [12047957-L](#) [12059473](#) [12066261](#)