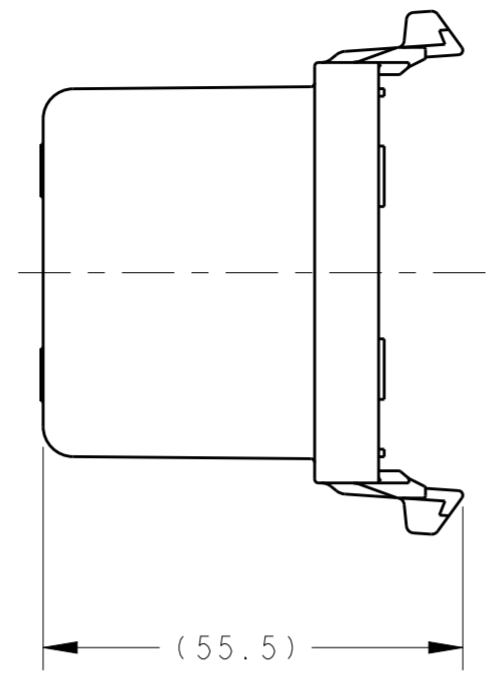
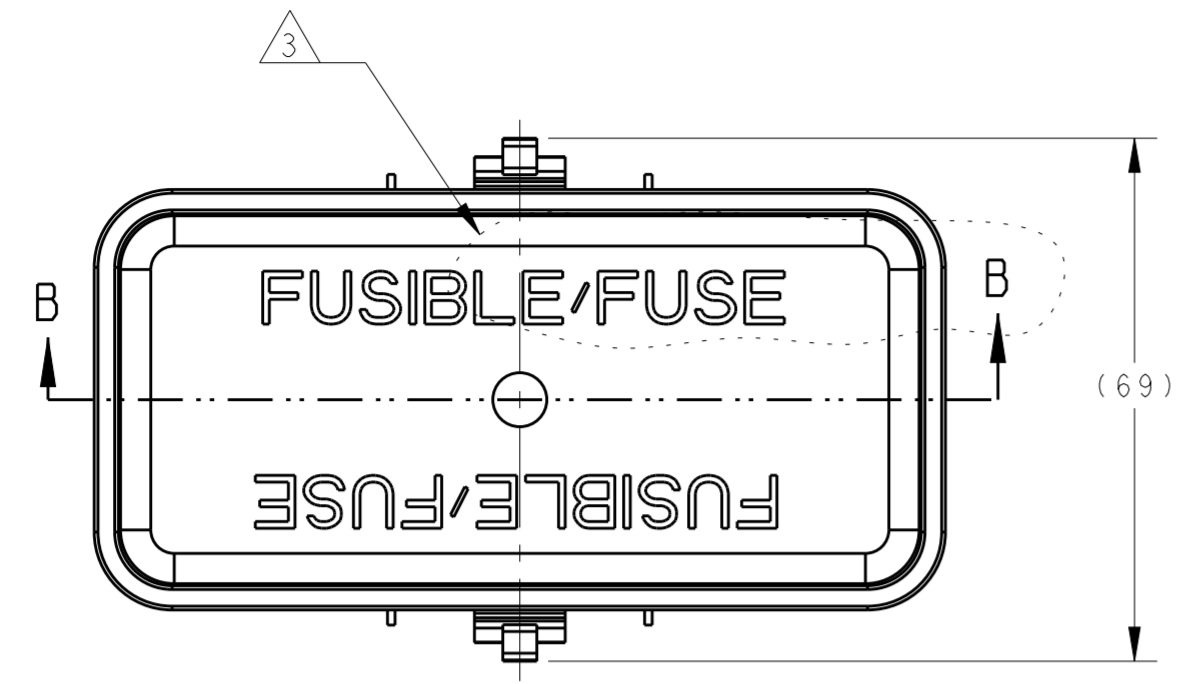
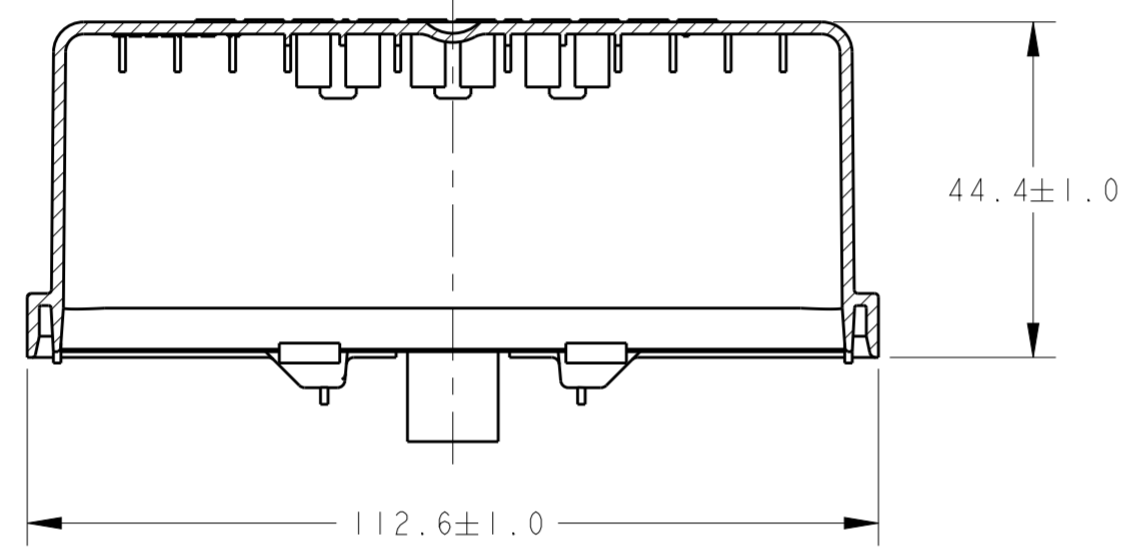


THIS DRAWING IS UNPUBLISHED. RELEASED FOR PUBLICATION 20  
 © COPYRIGHT 20 BY - ALL RIGHTS RESERVED.

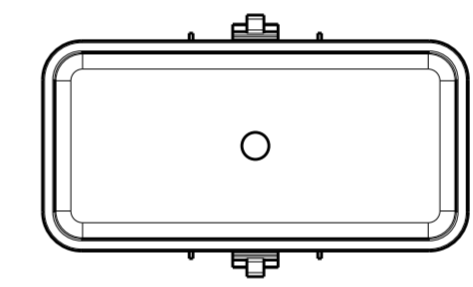
REVISIONS				
P	LTR	DESCRIPTION	DATE	APVD
	A2	REVISED PER ECO-15-015644	01DEC2015	DD JS



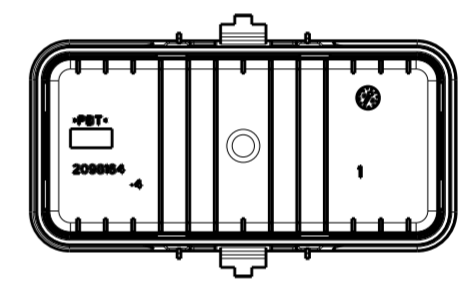
- ① MATERIAL- PBT, BLACK
- ② SPARE MINI FUSE HOLDERS, 2098164-1 AND 2098164-3 ONLY.
- ③ TOPSIDE RAISED TEXT: "FUSIBLE/FUSE", 2098164-1 AND 2098164-2 ONLY.
- ④ PART NUMBERS ARE NOT TOOLED AT THIS TIME.



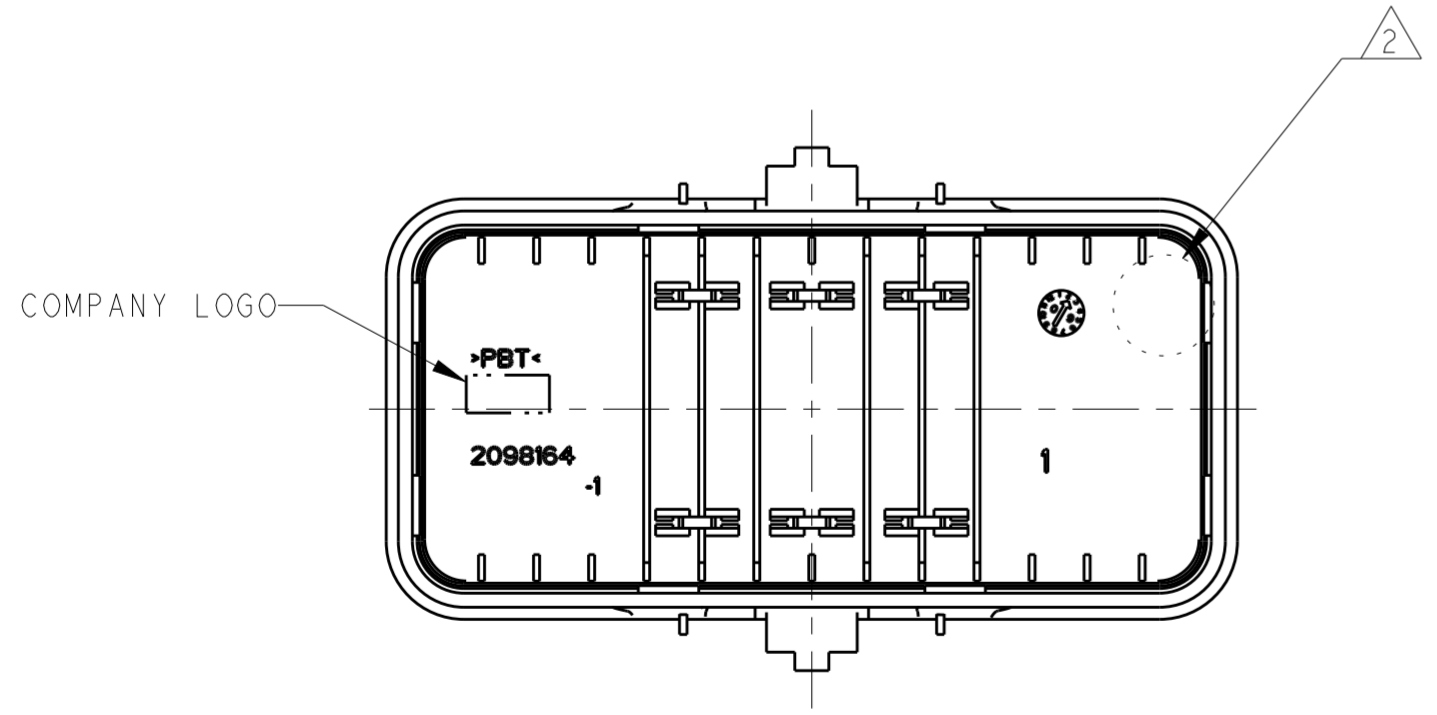
SECTION B-B



2098164-3 AND 2098164-4  
NO TOPSIDE GRAPHICS  
SCALE 1:2



2098164-2 AND 2098164-4  
W/O FUSE HOLDER  
SCALE 1:2



2098164-1 SHOWN  
SCALE 1:1

DESCRIPTION	PART NUMBER
COVER, 60 POSN, W/O FUSE HOLDER, NO TOPSIDE GRAPHICS.	2098164-4
COVER, 60 POSN, NO TOPSIDE GRAPHICS	2098164-3 ② ④
COVER, 60 POSN, W/O FUSE HOLDER	2098164-2 ③ ④
COVER, 60 POSITION	2098164-1 ② ③ ④

THIS DRAWING IS A CONTROLLED DOCUMENT.		DWN S. CROSS 02DEC2009	TE Connectivity	
DIMENSIONS: mm		CHK J. SHEVELA 02DEC2009		
TOLERANCES UNLESS OTHERWISE SPECIFIED:		APVD J. SHEVELA 02DEC2009	NAME COVER, 60 POSITION	
0 PLC ±1 1 PLC ±0.25 2 PLC ±0.15 3 PLC ±0.005 4 PLC ± ANGLES ±1 FINISH -		PRODUCT SPEC -	SIZE A2	CAGE CODE 00779
MATERIAL ①		APPLICATION SPEC -	DRAWING NO C-2098164	RESTRICTED TO -
		WEIGHT -	SCALE 1:1	SHEET OF 1 1
		CUSTOMER DRAWING	REV A2	

## X-ON Electronics

Largest Supplier of Electrical and Electronic Components

*Click to view similar products for [Automotive Connectors](#) category:*

*Click to view products by [TE Connectivity](#) manufacturer:*

Other Similar products are found below :

[003-018-000](#) [60403001](#) [60993906-B](#) [M902-2131](#) [M902-2161](#) [M902-2344](#) [72.330.1035.1](#) [73.353.4028.0](#) [F119300-B](#) [F166900](#) [F258300-B](#)  
[F358300-B](#) [F407400](#) [F444110](#) [F487000](#) [F509500B-B](#) [827153-1](#) [8N1515-32-24P](#) [9-1326729-8](#) [925474-1](#) [928905-1](#) [964562-4](#) [968782-1](#)  
[GT17SA-8DS-HU](#) [98891-1012](#) [98947-1016](#) [12004147](#) [12004475-L](#) [12010290](#) [12015454](#) [12020219-B](#) [12041318-B](#) [12052225-L](#) [12052466](#)  
[12064869](#) [12004327-B](#) [12015308](#) [12015384](#) [12015909](#) [1-21030-1](#) [12041254](#) [12041318](#) [12047946-B](#) [12047957](#) [12047957-L](#) [12059473](#)  
[12066261](#) [12110546](#) [12110546-B](#) [12131792](#)