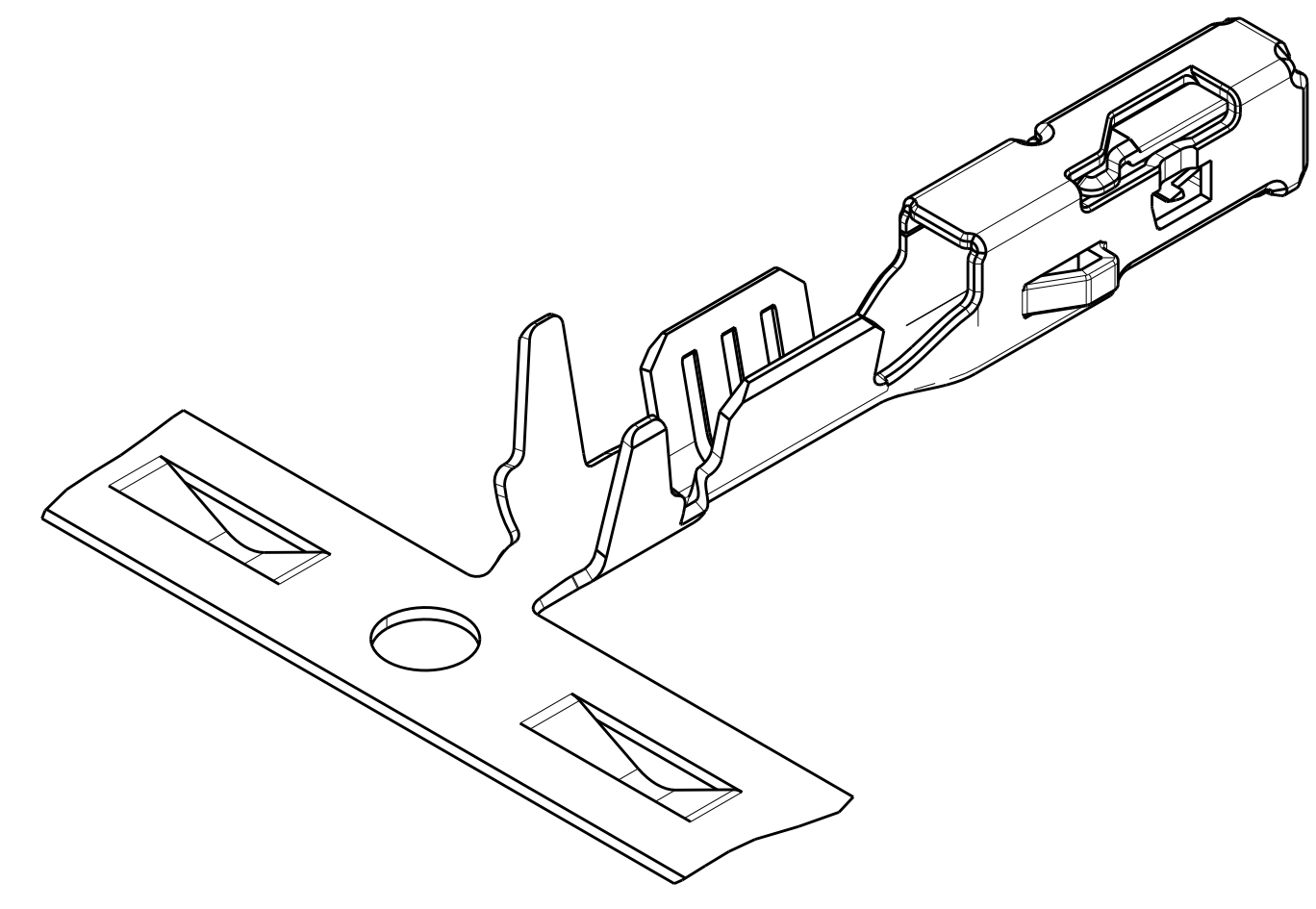
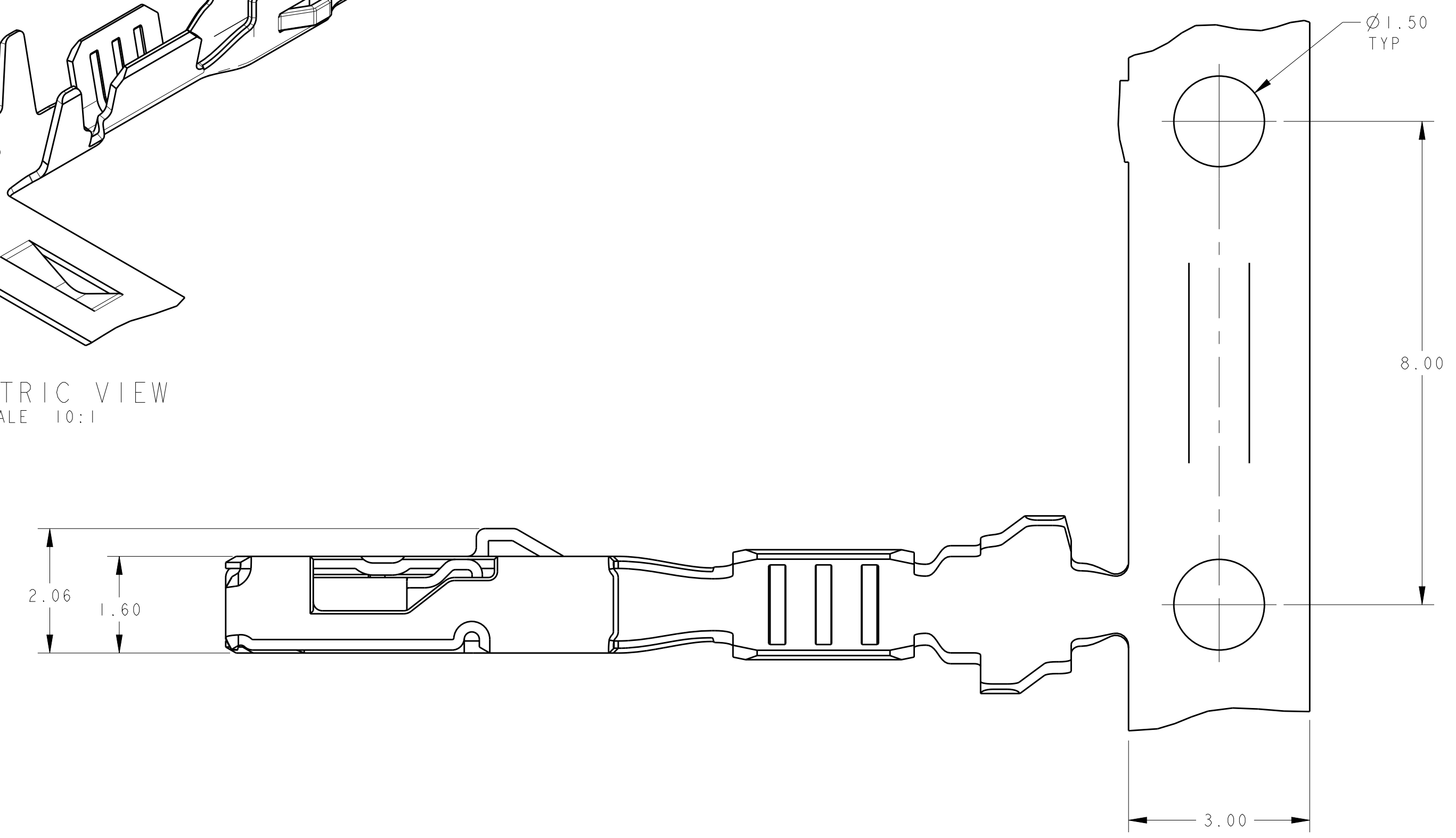


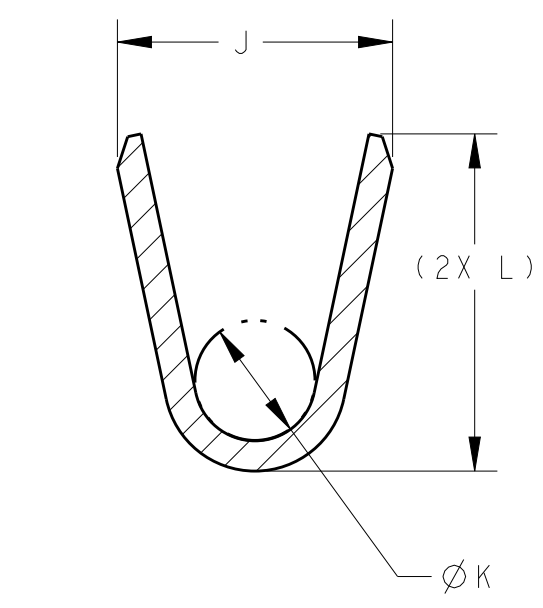
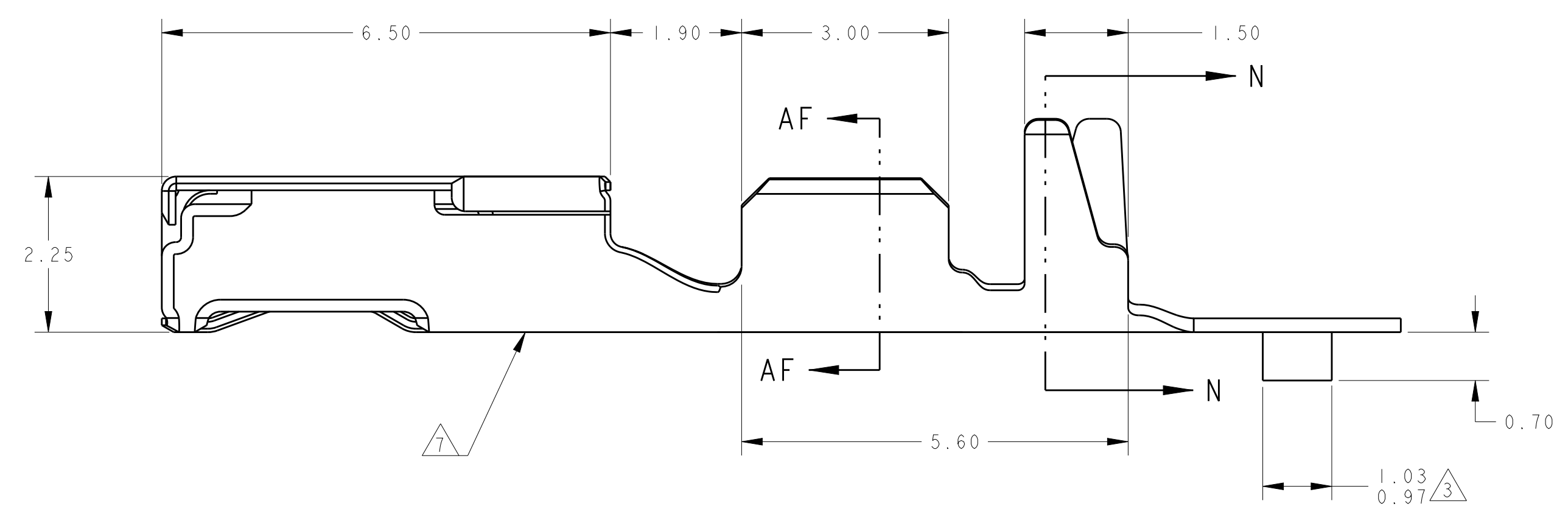
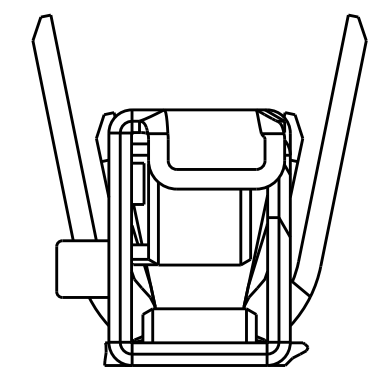
REVISIONS				
P.	LTN	DESCRIPTION	DATE	APVD
C		REVISED PER ECR-16-005516	25APR2016	DLD CJS



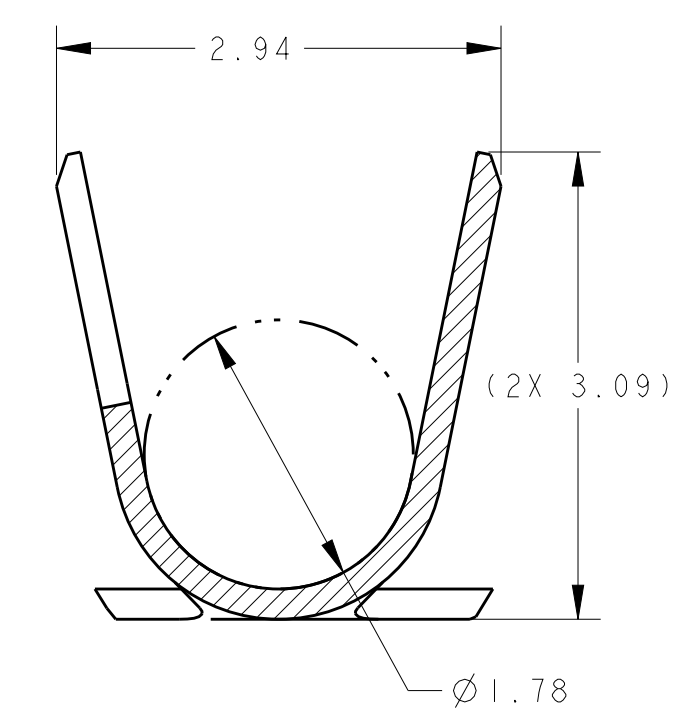
ISOMETRIC VIEW
SCALE 10:1



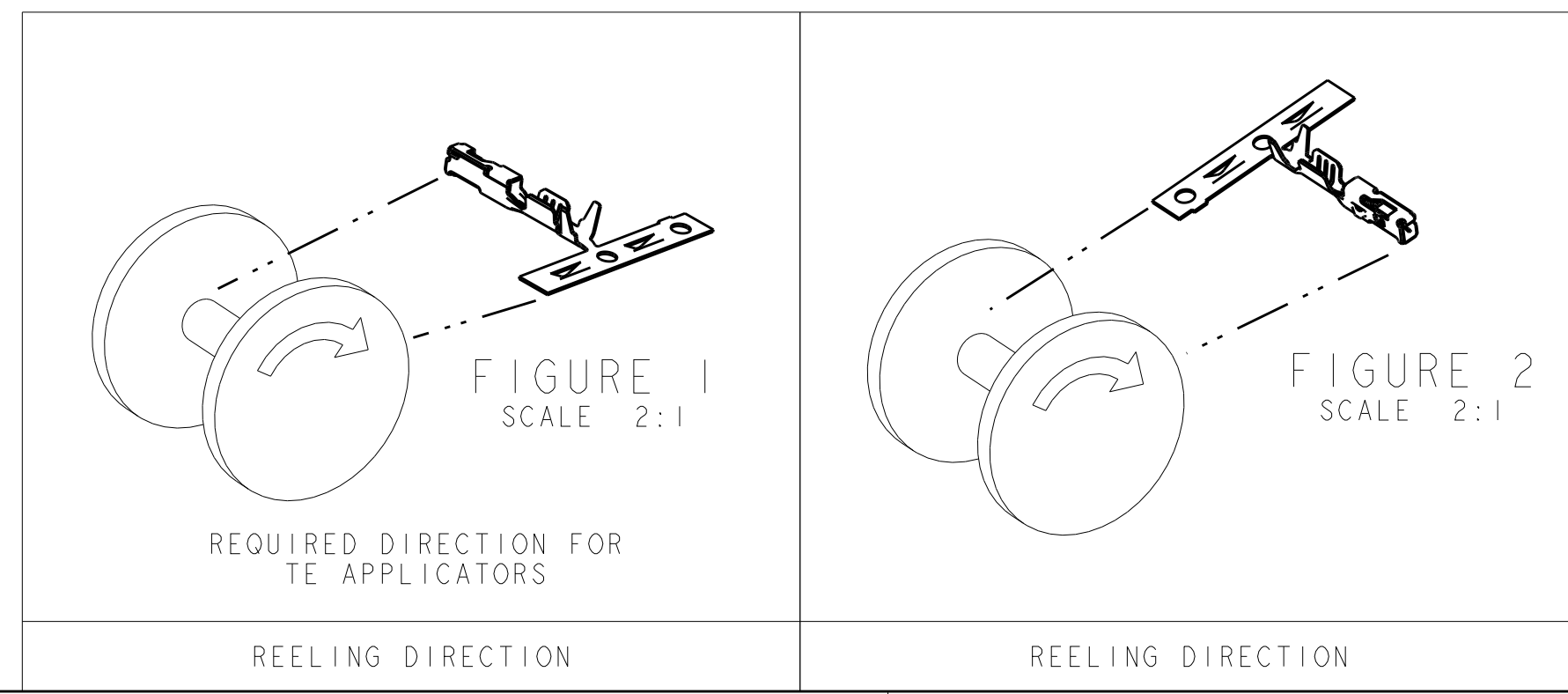
- 1 MATERIAL: 0.2mm THICK CuNiSi ALLOY
- 2 FINISH: PRE-PLATED WITH 1.00µm MIN BRIGHT TIN.
- 3 MATERIAL ID FEATURE IN "DOWN" POSITION.
- 4. THIS PRODUCT WAS VALIDATED TO GMW3191, DEC 2007, VI, T3, S2.
- 5. THIS PRODUCT IS DESIGNED TO BE COMPATIBLE WITH SEALED APPLICATIONS.
- 6. NORMAL FORCE 350 GRAMS REFERENCE.
- 7 STAMPED WITH LETTER "H" TO INDICATE HIGH FORCE ON THIS GENERAL SURFACE.
- 8. TERMINAL HAS NYE LUBRICANTS NYETACT 568J-50-UV PERFORMANCE LUBE/GREASE APPLIED. THIS IS A WHITISH COLORED LUBE. AMOUNT AND VISIBILITY MAY VARY.



SECTION AF-AF
SCALE 20:1



SECTION N-N
SCALE 20:1



INSULATION DIAMETER	L	K	J	REELING DIRECTION	FINISH	mm ²	AWG	PART NUMBER
2.06 MAX	2.43	1.00	1.96	FIGURE 2	2	0.75	18	2098165-4
1.50-1.85	2.23	0.80	1.82	FIGURE 2	2	0.35-0.50	20-22	2098165-3
2.06 MAX	2.43	1.00	1.96	FIGURE 1	2	0.75	18	2098165-2
1.50-1.85	2.23	0.80	1.82	FIGURE 1	2	0.35-0.50	20-22	2098165-1

THIS DRAWING IS A CONTROLLED DOCUMENT.		OWN F. KINSEY 16JAN2009	TE Connectivity CONTACT, FEMALE, 0.64mm CuNiSi, SIDE ORIENTATION Sn PLATE, HIGH FORCE
DIMENSIONS:		CHK F. KINSEY 16JAN2009	
mm	0 PLC ±	APVD C. SCHMID 07MAY2009	NAME
1 PLC ±	TOLERANCES UNLESS OTHERWISE SPECIFIED:	PRODUCT SPEC	SIZE
2 PLC ±	0 PLC ±	APPLICATION SPEC	CAGE CODE
3 PLC ±	1 PLC ±0.15	114-13183	DRAWING NO
4 PLC ±	2 PLC ±	WEIGHT	RESTRICTED TO
ANGLES	3 PLC ±	CUSTOMER DRAWING	A100779
	FINISH	SCALE 15:1	SHEET 1 OF 1
			REV C

X-ON Electronics

Largest Supplier of Electrical and Electronic Components

Click to view similar products for [Automotive Connectors](#) category:

Click to view products by [TE Connectivity](#) manufacturer:

Other Similar products are found below :

[003-018-000](#) [60403001](#) [60993906-B](#) [M902-2131](#) [M902-2161](#) [M902-2344](#) [72.330.1035.1](#) [73.353.4028.0](#) [F119300-B](#) [F166900](#) [F258300-B](#)
[F358300-B](#) [F407400](#) [F444110](#) [F487000](#) [F509500B-B](#) [827153-1](#) [8N1515-32-24P](#) [9-1326729-8](#) [925474-1](#) [928905-1](#) [964562-4](#) [968782-1](#)
[GT17SA-8DS-HU](#) [98891-1012](#) [98947-1016](#) [12004147](#) [12004475-L](#) [12010290](#) [12010309-B](#) [12015454](#) [12020219-B](#) [12041318-B](#) [12052225-](#)
[L](#) [12052466](#) [12064869](#) [12004327-B](#) [12015308](#) [12015384](#) [12015909](#) [1-21030-1](#) [12041254](#) [12041318](#) [12047946-B](#) [12047957](#) [12047957-L](#)
[12059473](#) [12066261](#) [12110546](#) [12110546-B](#)