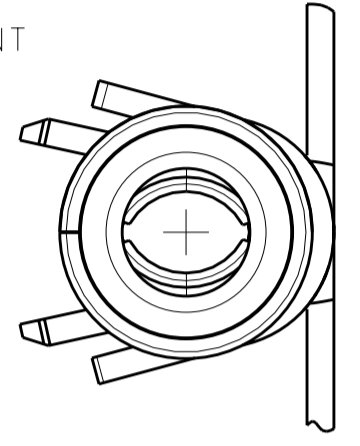
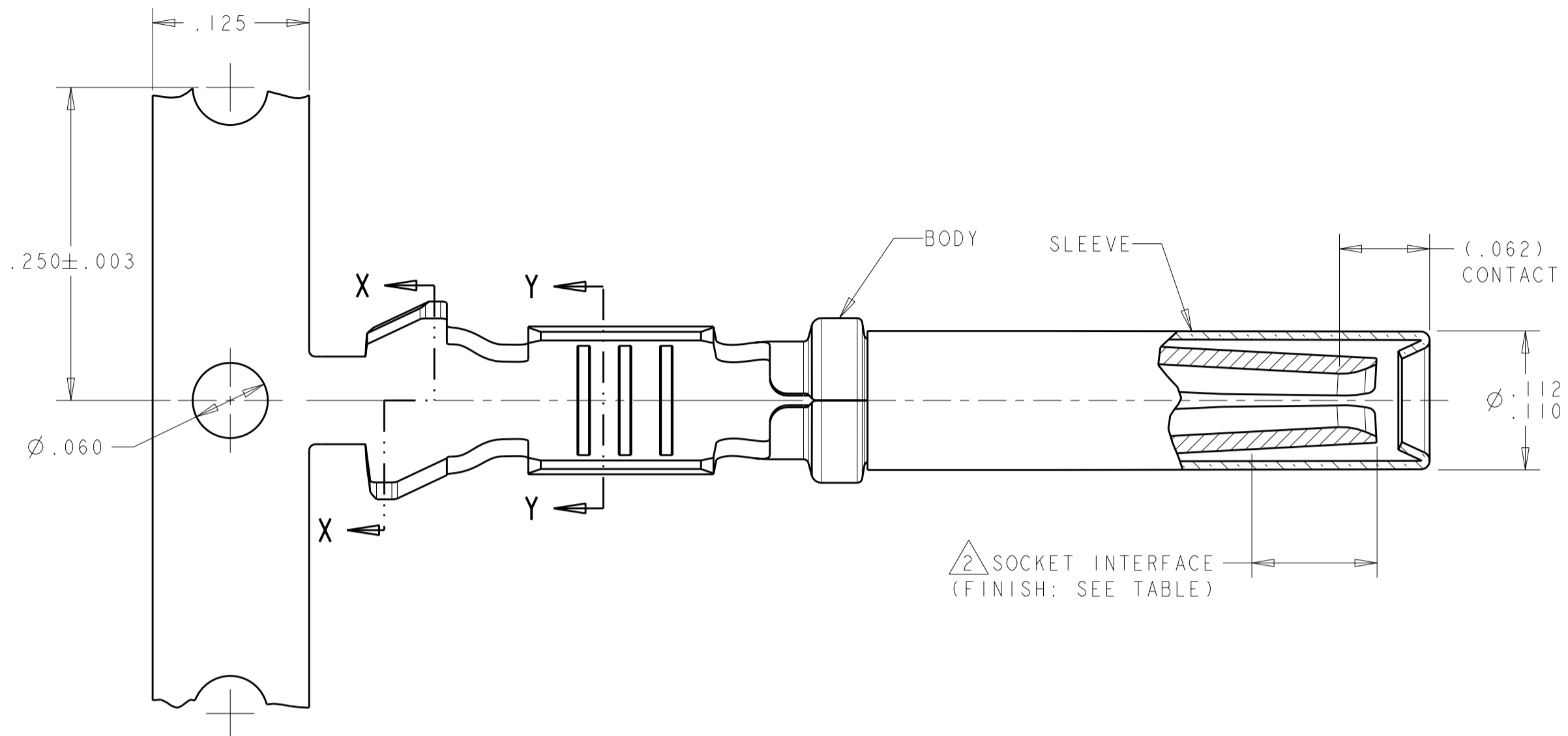


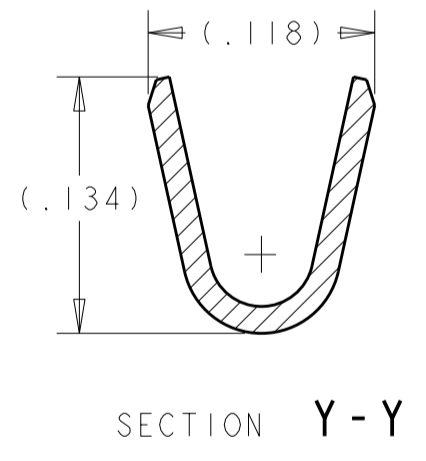
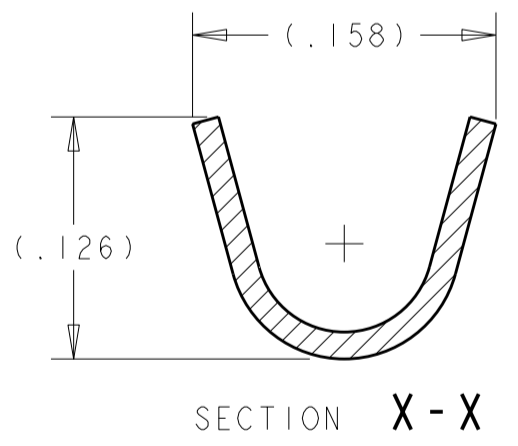
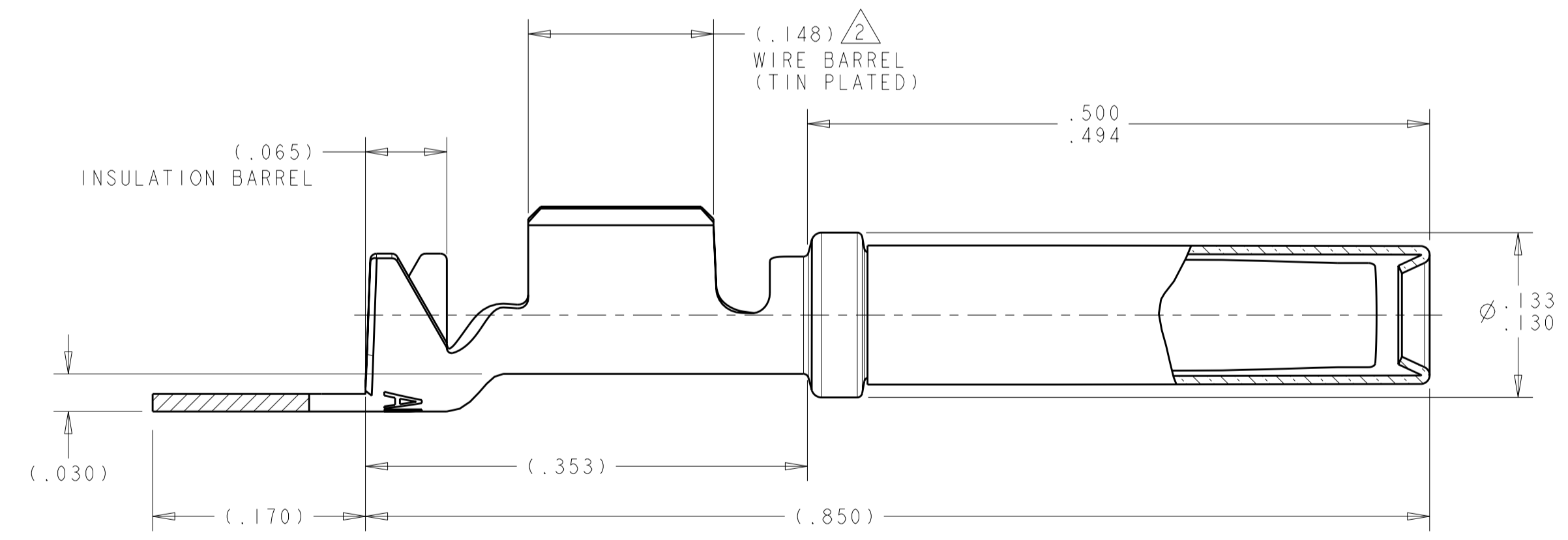
THIS DRAWING IS UNPUBLISHED. RELEASED FOR PUBLICATION 20
 © COPYRIGHT 20 BY TYCO ELECTRONICS CORPORATION. ALL INTERNATIONAL RIGHTS RESERVED.

LOC		DIST		REVISIONS			
P	LTR	DESCRIPTION	DATE	DWN	APVD		
GE	00	A	RELEASED PER ECO-10-008447	21APR2010	DLD	MPT	

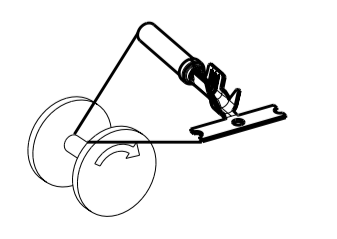


- 1 MATERIAL:
 BODY: .014 THICK COPPER ALLOY
 SLEEVE: .007 THICK STAINLESS STEEL (PASSIVATED)
- 2 FINISH:
 ALL OVER: .000040-.000080 THICK NICKEL
 WIRE BARREL: .000100-.000200 THICK TIN
 SOCKET INTERFACE: (SEE TABLE)
 FOR P/N 2098251-1 ONLY: .000030 MIN THICK GOLD
- 3. WIRE RANGE: 18 AWG (0.8 SQ.MM) TO 1.5 SQ.MM.
 INSULATION DIAMETER RANGE: Ø .065-Ø .118 [Ø 1.65-Ø 3.00 MM]
 NOTE: THE CONNECTOR THIS TERMINAL IS ASSEMBLED INTO
 MAY LIMIT THE SUITABLE INSULATION DIAMETER RANGE BASED ON
 THE TERMINAL REMOVAL CONFIGURATION.
- 4. CONTACT TO BE LUBED WITH LUBRICANT PER TYCO ELECTONICS
 P/N 22014-4
- 5. SLEEVE MUST NOT BE PULLED OFF WHEN A 10 LB FORCE IS APPLIED
 IN A DIRECTION PARALLEL TO CENTER OF TERMINAL.

2 SOCKET INTERFACE
 (FINISH: SEE TABLE)



REELING DIRECTION
 OFF TOP OF REEL



NICKEL	2098251-2
GOLD	2098251-1
FINISH SOCKET INTERFACE (REFERENCE)	PART NUMBER

THIS DRAWING IS A CONTROLLED DOCUMENT FOR TYCO ELECTRONICS CORPORATION IT IS SUBJECT TO CHANGE AND THE CONTROLLING ENGINEERING ORGANIZATION SHOULD BE CONTACTED FOR THE LATEST REVISION.		DWN J. SANDBURG 30 JUN 2009	Tyco Electronics Harrisburg, PA 17105-3608	
DIMENSIONS: INCHES		CHK M. TRULL 06 JUL 2009	NAME SOCKET CONTACT ASSEMBLY SIZE 16 18 AWG TO 1.5 SQ.MM. WIRE	
TOLERANCES UNLESS OTHERWISE SPECIFIED:		APVD M. TRULL 14 JUL 2009	RESTRICTED TO	
0 PLC ±-	1 PLC ±.	PRODUCT SPEC	SIZE	CAGE CODE
2 PLC ±.02	3 PLC ±.005	APPLICATION SPEC	A2	00779
4 PLC ±.	ANGLES ±.	114-13045	DRAWING NO	C-2098251
FINISH		WEIGHT	SCALE 10:1	
1	2	CUSTOMER DRAWING	SHEET 1 OF 1 REV A	

X-ON Electronics

Largest Supplier of Electrical and Electronic Components

Click to view similar products for [Automotive Connectors](#) category:

Click to view products by [TE Connectivity](#) manufacturer:

Other Similar products are found below :

[003-018-000](#) [60403001](#) [60993906-B](#) [M902-2131](#) [M902-2161](#) [M902-2344](#) [72.330.1035.1](#) [73.353.4028.0](#) [F119300-B](#) [F166900](#) [F258300-B](#)
[F358300-B](#) [F407400](#) [F444110](#) [F487000](#) [F509500B-B](#) [827153-1](#) [8N1515-32-24P](#) [9-1326729-8](#) [925474-1](#) [928905-1](#) [964562-4](#) [968782-1](#)
[GT17SA-8DS-HU](#) [98891-1012](#) [98947-1016](#) [12004147](#) [12004475-L](#) [12010290](#) [12010309-B](#) [12015454](#) [12020219-B](#) [12041318-B](#) [12052225-](#)
[L](#) [12052466](#) [12064869](#) [12004327-B](#) [12015308](#) [12015384](#) [12015909](#) [1-21030-1](#) [12041254](#) [12041318](#) [12047946-B](#) [12047957](#) [12047957-L](#)
[12059473](#) [12066261](#) [12110546](#) [12110546-B](#)