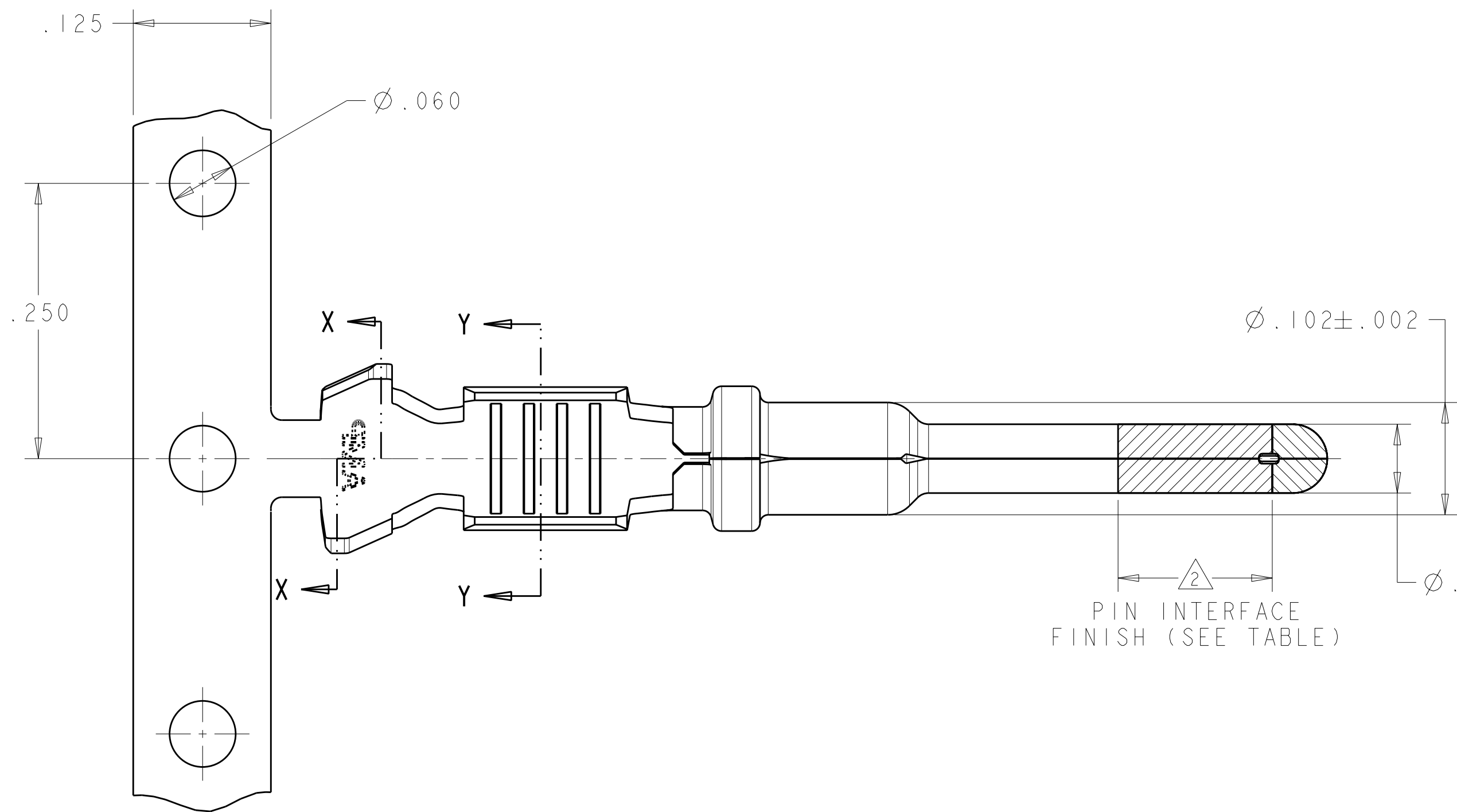
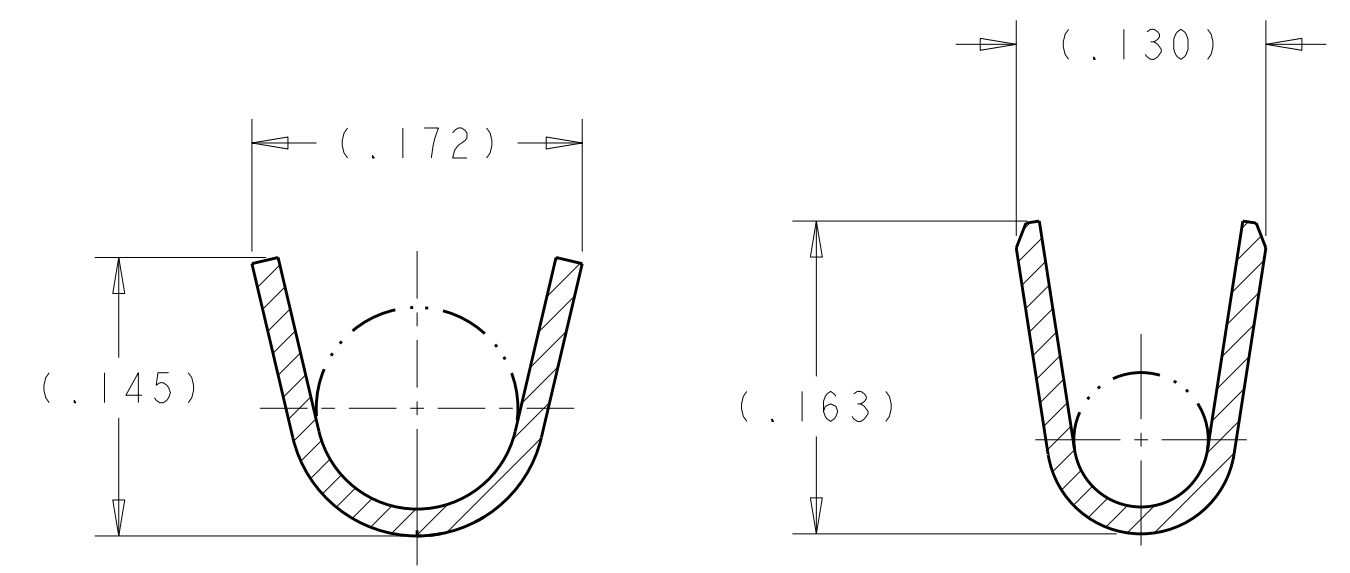


LOC	DIST	REVISIONS			
P	LTR	DESCRIPTION	DATE	DWN	APVD
FX	00	A	RELEASED PER ECO-10-008447	21APR2010	DLD MPT



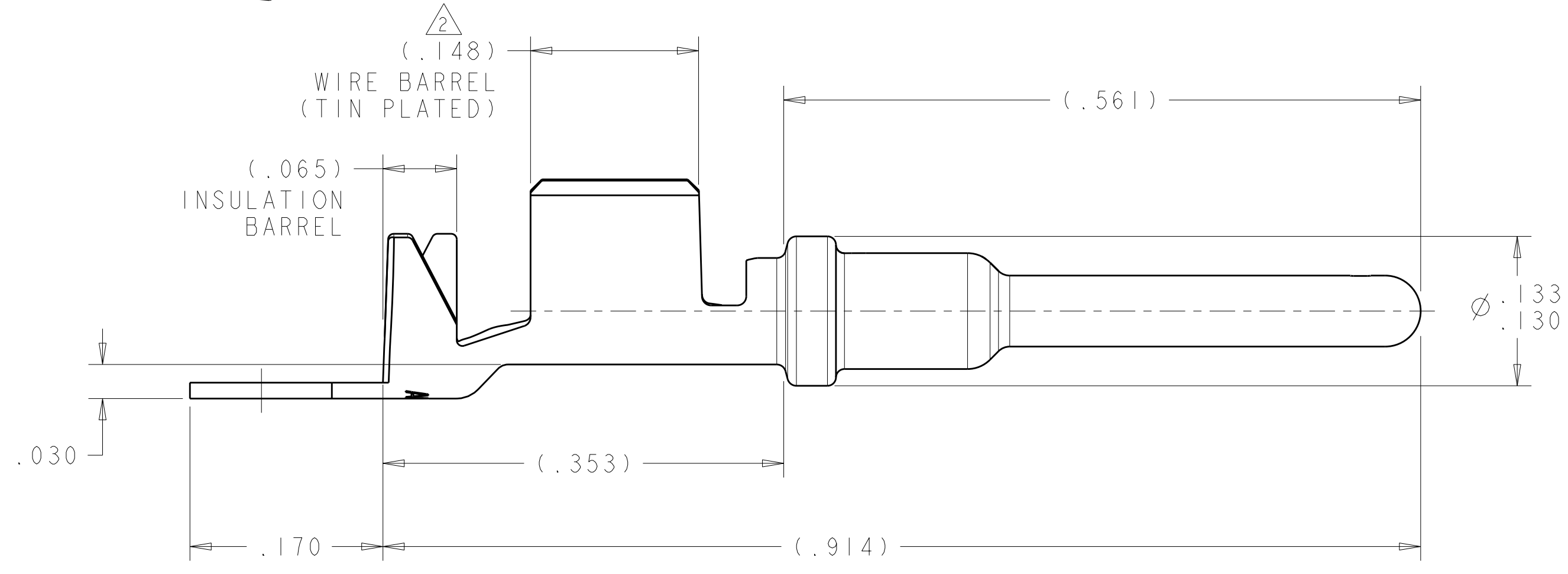
- 1 MATERIAL: .014 THICK COPPER ALLOY.
- 2 FINISH:
 ALL OVER: .000040 - .000080 THICK NICKEL
 WIRE BARREL: .000100 - .000200 THICK TIN
 PIN INTERFACE: SEE TABLE
 FOR P/N 2098252-1 ONLY: .000030 MIN THICK GOLD
- 3. WIRE RANGE: 1.5mm² - 2.5mm² WIRE WITH INSULATION DIAMETERS OF ϕ .083 - ϕ .128 INCHES.
 NOTE: THE CONNECTOR THIS TERMINAL IS ASSEMBLED INTO MAY LIMIT THE SUITABLE INSULATION DIAMETER RANGE BASED ON THE TERMINAL REMOVAL CONFIGURATION.
- 4. CONTACT WILL BE LUBED WITH LUBRICANT PER TE P/N 22014-4.

PIN INTERFACE FINISH (SEE TABLE)



SECTION X-X

SECTION Y-Y



NICKEL	2098252-3
GOLD	2098252-1
FINISH PIN INTERFACE (REFERENCE)	PART NUMBER

THIS DRAWING IS A CONTROLLED DOCUMENT FOR TYCO ELECTRONICS CORPORATION. IT IS SUBJECT TO CHANGE AND THE CONTROLLING ENGINEERING ORGANIZATION SHOULD BE CONTACTED FOR THE LATEST REVISION.		DWN R. VESTAL 10 JUN 2009	Tyco Electronics Harrisburg, PA 17105-3608	
DIMENSIONS: INCHES		CHK J. SANDBURG 10 JUN 2009	NAME PIN CONTACT, SIZE 16, 1.5 SQ. MM TO 25 SQ. MM WIRE	
TOLERANCES UNLESS OTHERWISE SPECIFIED: 0 PLC ± 1 PLC ± 2 PLC ±.02 3 PLC ±.005 4 PLC ± ANGLES ± FINISH		APVD J. SANDBURG 10 JUN 2009	RESTRICTED TO	
MATERIAL		PRODUCT SPEC	SIZE A2	CAGE CODE 00779
1 -		APPLICATION SPEC 114-13045	DRAWING NO 2098252	
2 -		WEIGHT	SCALE 10:1	
		CUSTOMER DRAWING		SHEET 1 OF 1 REV A

X-ON Electronics

Largest Supplier of Electrical and Electronic Components

Click to view similar products for [Automotive Connectors](#) category:

Click to view products by [TE Connectivity](#) manufacturer:

Other Similar products are found below :

[003-018-000](#) [60403001](#) [60993906-B](#) [M902-2131](#) [M902-2161](#) [72.330.1035.1](#) [73.353.4028.0](#) [F119300-B](#) [F166900](#) [F258300-B](#) [F358300-B](#)
[F407400](#) [F444110](#) [F487000](#) [F509500B-B](#) [827153-1](#) [8N1515-32-24P](#) [9-1326729-8](#) [925474-1](#) [928905-1](#) [964562-4](#) [968782-1](#) [GT17SA-8DS-](#)
[HU](#) [98891-1012](#) [98947-1016](#) [12004147](#) [12004475-L](#) [12010290](#) [12010309-B](#) [12015454](#) [12020219-B](#) [12020308](#) [12041318-B](#) [12052225-L](#)
[12052466](#) [12059125](#) [12064869](#) [12004327-B](#) [12010503-B](#) [12015308](#) [12015384](#) [12015909](#) [1-21030-1](#) [12041254](#) [12041318](#) [12047946-B](#)
[12047957](#) [12047957-L](#) [12059473](#) [12066261](#)