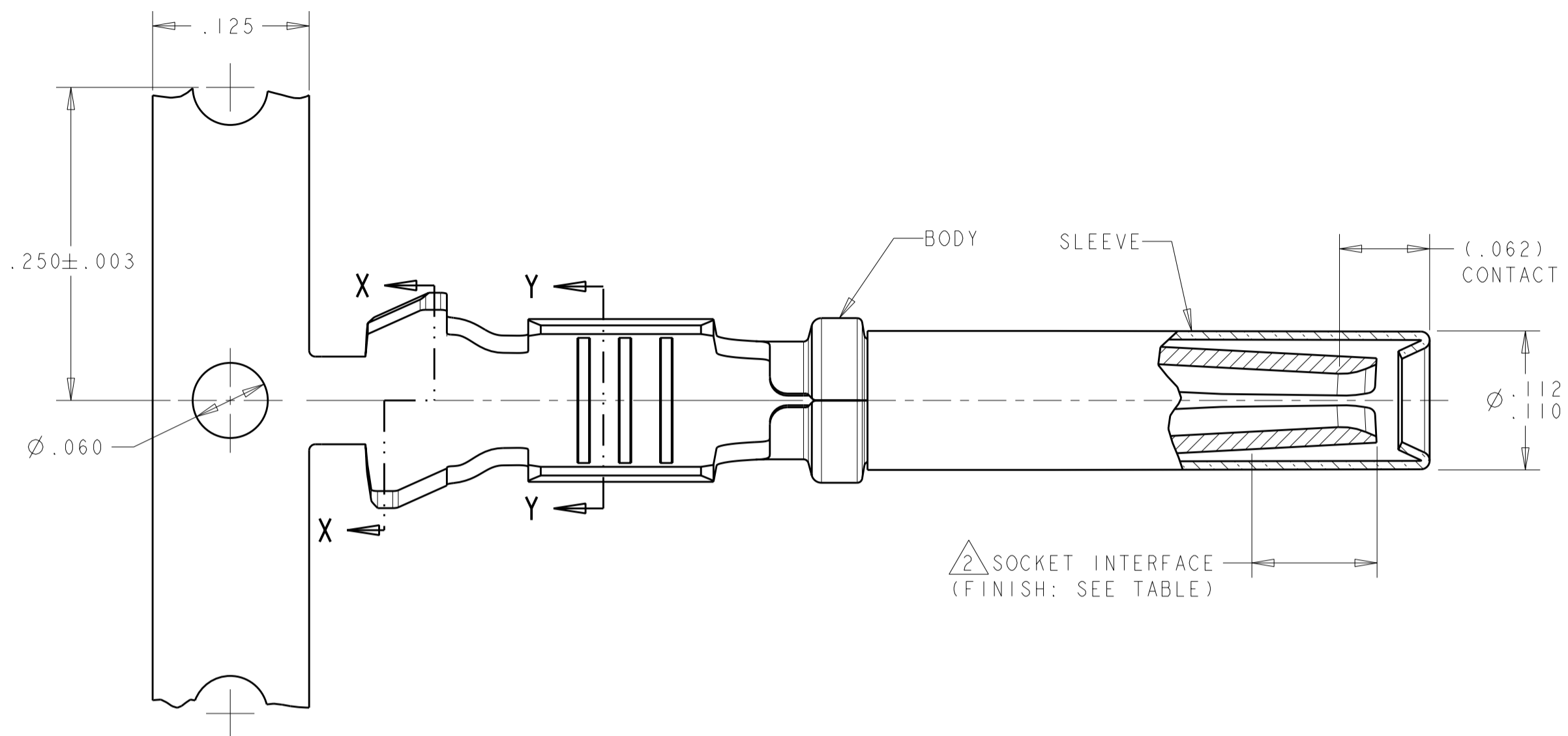
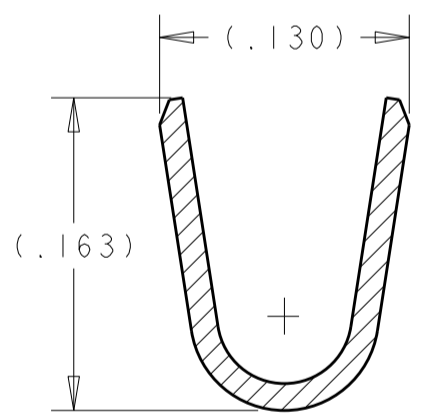
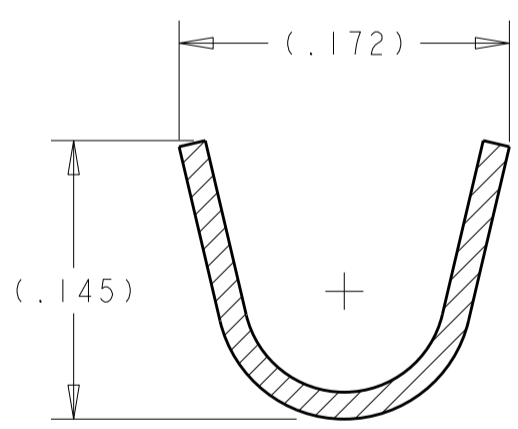
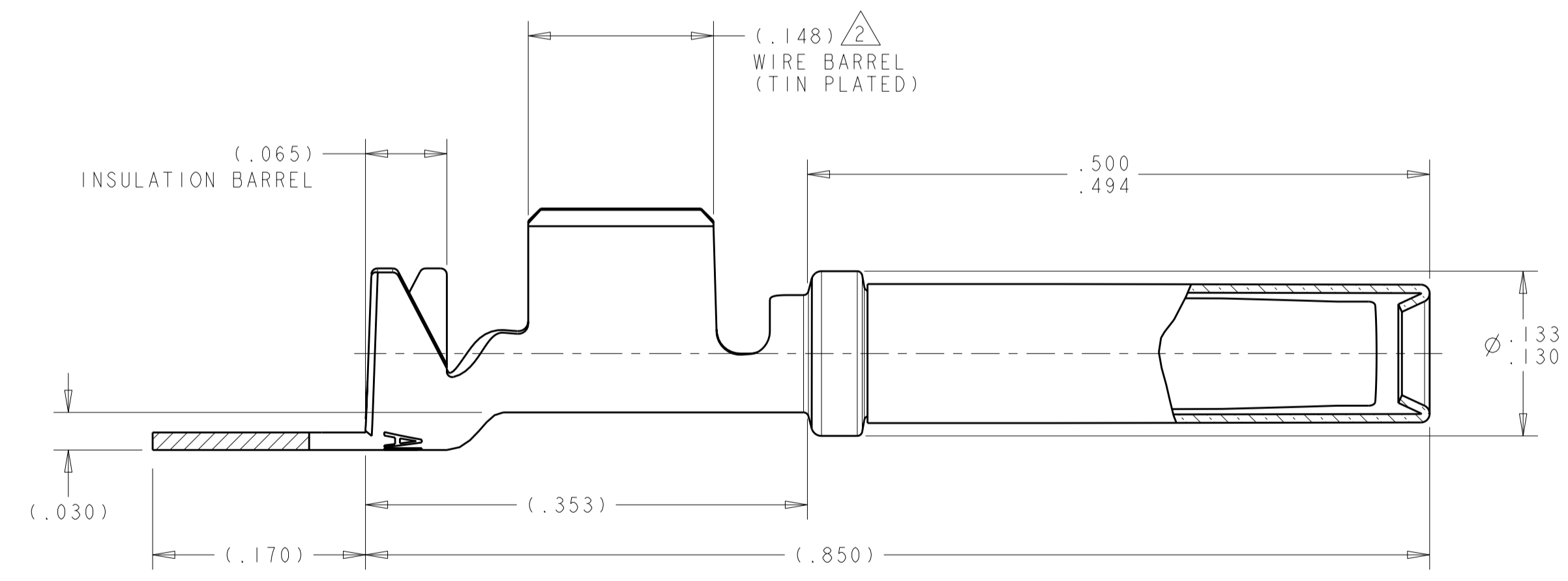
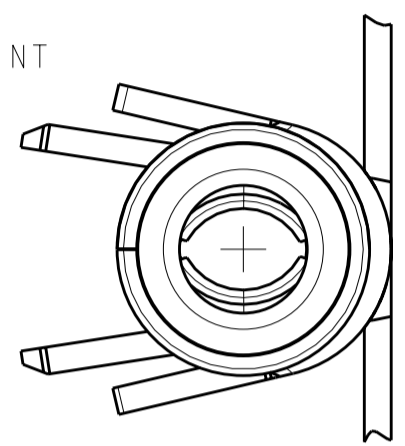


THIS DRAWING IS UNPUBLISHED. RELEASED FOR PUBLICATION 20
 © COPYRIGHT 20 BY TYCO ELECTRONICS CORPORATION. ALL INTERNATIONAL RIGHTS RESERVED.

REVISIONS					
P	LTR	DESCRIPTION	DATE	DWN	APVD
A		RELEASED PER ECO-10-008447	21APR2010	DLD	MPT

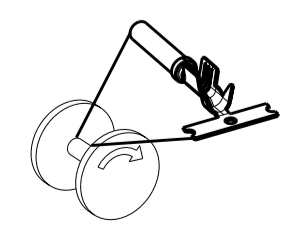


- 1 MATERIAL:
 BODY: .014 THICK COPPER ALLOY
 SLEEVE: .007 THICK STAINLESS STEEL (PASSIVATED)
- 2 FINISH:
 ALL OVER: .000040-.000080 THICK NICKEL
 WIRE BARREL: .000100-.000200 THICK TIN
 SOCKET INTERFACE: (SEE TABLE)
 FOR P/N 2098253-1 ONLY: .000030 MIN THICK GOLD
- 3. WIRE RANGE: 1.5 SQ.MM. TO 2.5 SQ.MM.
 INSULATION DIAMETER RANGE: ϕ .083- ϕ .128 [ϕ 2.10- ϕ 3.25 MM]
 NOTE: THE CONNECTOR THIS TERMINAL IS ASSEMBLED INTO
 MAY LIMIT THE SUITABLE INSULATION DIAMETER RANGE BASED ON
 THE TERMINAL CONFIGURATION.
- 4. CONTACT TO BE LUBED WITH LUBRICANT PER TYCO ELECTRONICS
 P/N 22014-4
- 5. SLEEVE MUST NOT BE PULLED OFF WHEN A 10 LB FORCE IS APPLIED
 IN A DIRECTION PARALLEL TO CENTER OF TERMINAL.



NICKEL	2098253-2
GOLD	2098253-1
FINISH SOCKET INTERFACE (REFERENCE)	PART NUMBER

REELING DIRECTION
 OFF TOP OF REEL



THIS DRAWING IS A CONTROLLED DOCUMENT FOR TYCO ELECTRONICS CORPORATION. IT IS SUBJECT TO CHANGE AND THE CONTROLLING ENGINEERING ORGANIZATION SHOULD BE CONTACTED FOR THE LATEST REVISION.		DWN J. SANDBURG 01 JUL 2009	Tyco Electronics Harrisburg, PA 17105-3608	
DIMENSIONS: INCHES		CHK M. TRULL 06 JUL 2009	NAME SOCKET CONTACT ASSEMBLY SIZE 16 1.5 SQ.MM TO 2.5 SQ.MM. WIRE	
TOLERANCES UNLESS OTHERWISE SPECIFIED: 0 PLC ± 1 PLC ± 2 PLC ±.02 3 PLC ±.005 4 PLC ± ANGLES ± FINISH		APVD M. TRULL 14 JUL 2009	RESTRICTED TO	
MATERIAL		PRODUCT SPEC	SIZE A2	CAGE CODE 00779
1 -		APPLICATION SPEC 114-13045	DRAWING NO C-2098253	
2 -		WEIGHT	SCALE 10:1	
CUSTOMER DRAWING		SHEET 1 OF 1		REV A

X-ON Electronics

Largest Supplier of Electrical and Electronic Components

Click to view similar products for [Automotive Connectors](#) category:

Click to view products by [TE Connectivity](#) manufacturer:

Other Similar products are found below :

[003-018-000](#) [60403001](#) [60993906-B](#) [M902-2131](#) [M902-2161](#) [M902-2344](#) [72.330.1035.1](#) [73.353.4028.0](#) [F119300-B](#) [F166900](#) [F258300-B](#)
[F358300-B](#) [F407400](#) [F444110](#) [F487000](#) [F509500B-B](#) [827153-1](#) [8N1515-32-24P](#) [9-1326729-8](#) [925474-1](#) [928905-1](#) [964562-4](#) [968782-1](#)
[GT17SA-8DS-HU](#) [98891-1012](#) [98947-1016](#) [12004147](#) [12004475-L](#) [12010290](#) [12010309-B](#) [12015454](#) [12020219-B](#) [12041318-B](#) [12052225-](#)
[L](#) [12052466](#) [12064869](#) [12004327-B](#) [12015308](#) [12015384](#) [12015909](#) [1-21030-1](#) [12041254](#) [12041318](#) [12047946-B](#) [12047957](#) [12047957-L](#)
[12059473](#) [12066261](#) [12110546](#) [12110546-B](#)