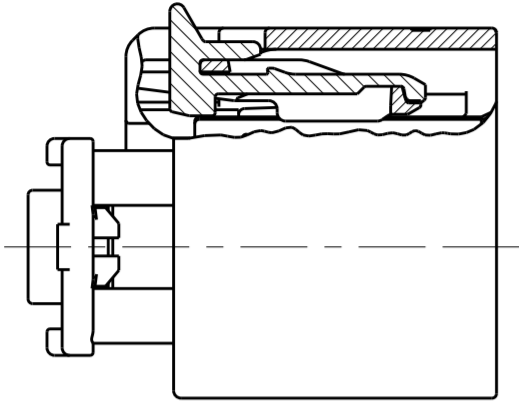
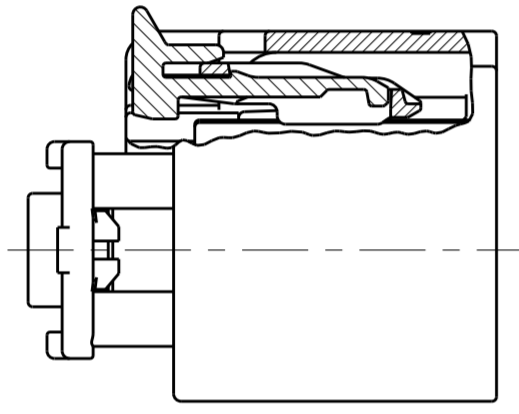


THIS DRAWING IS UNPUBLISHED. RELEASED FOR PUBLICATION 20
 © COPYRIGHT 20 BY - ALL RIGHTS RESERVED.

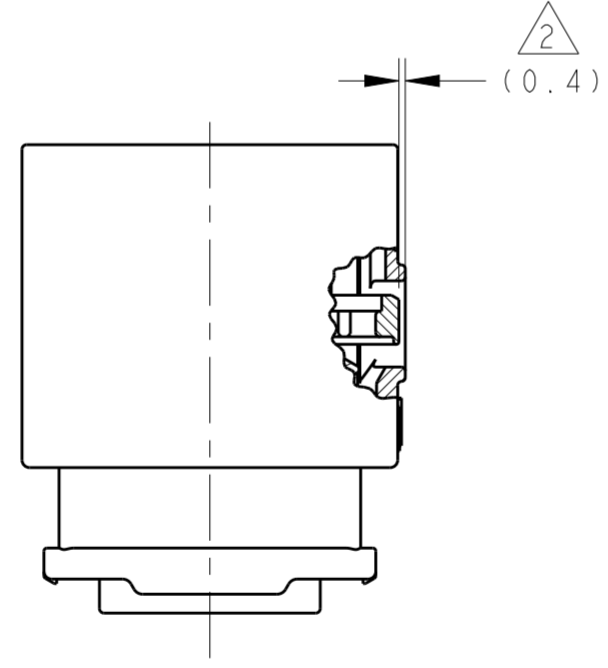
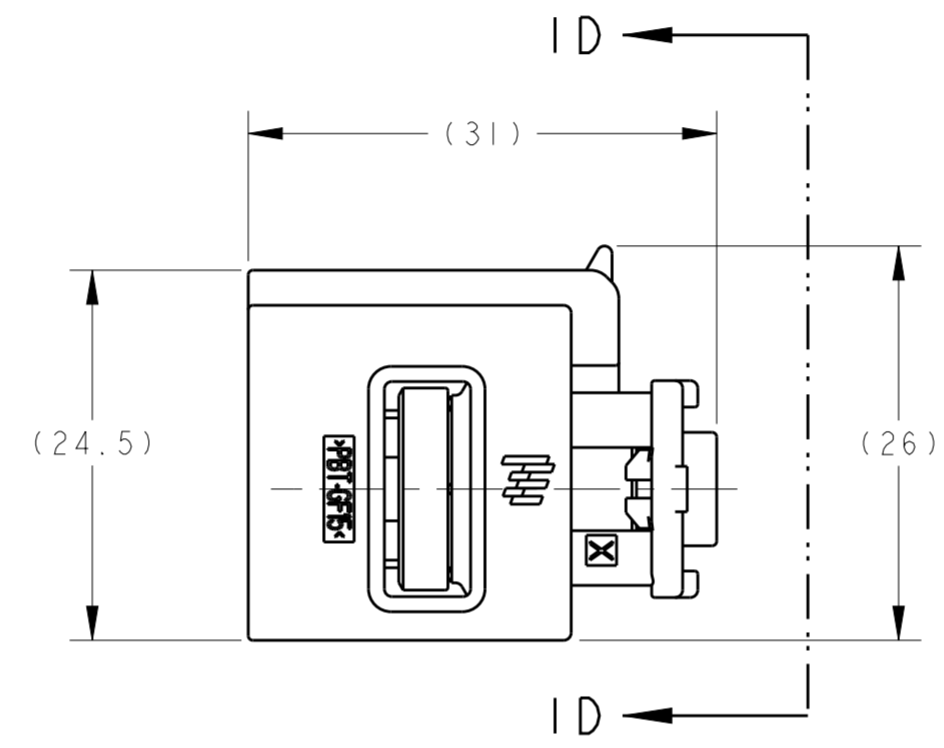
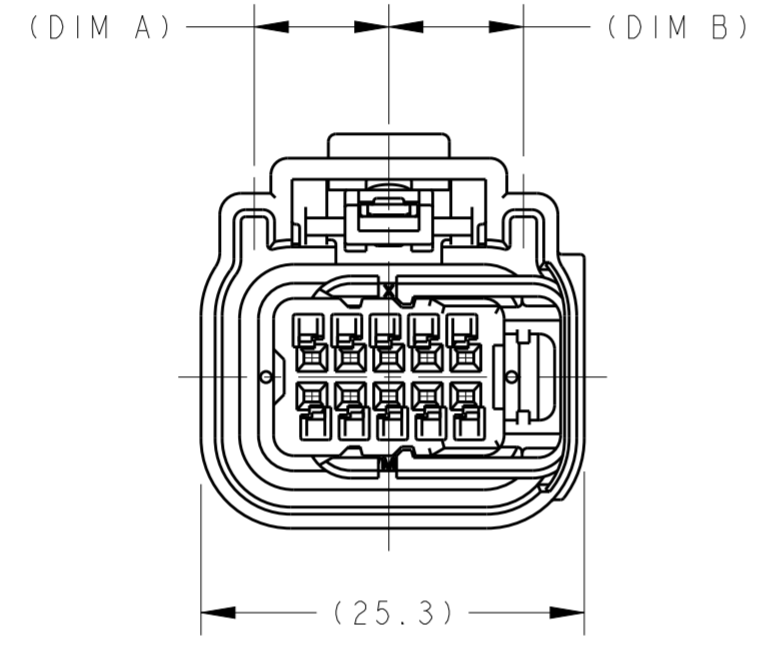
REVISIONS					
P	LTR	DESCRIPTION	DATE	DWN	APVD
B9		ECO-17-009985	01SEP2017	KP	CS
B10		REVISED PER ECO-17-012799	12SEP2017	JMS	CS
B11		REVISED PER ECO-17-016057	02NOV2017	JMS	CS
B12		REVISED PER ECO-18-000662	16JAN2018	JMS	CS



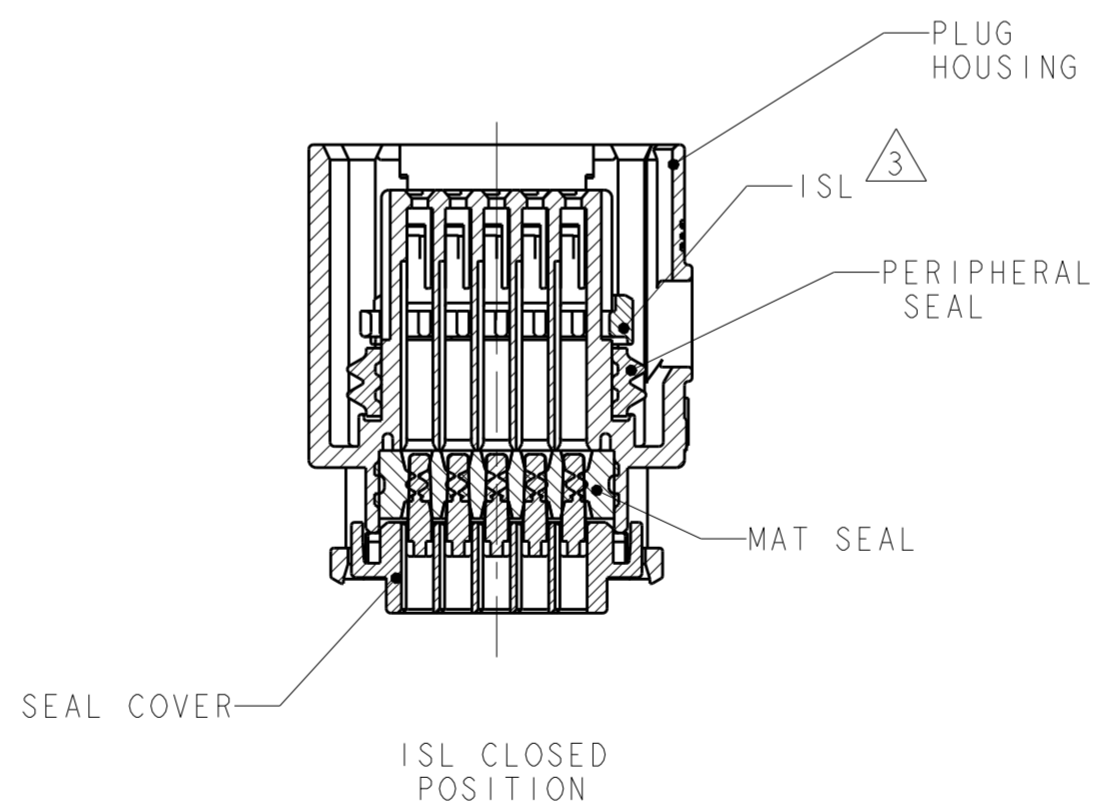
CPA CLOSED POSITION ³



CPA PRE-LATCHED POSITION ²



ISL PRE-LATCHED POSITION



ISL CLOSED POSITION

- ¹ PLUG HOUSING: PBT, 15% GLASS-FILLED, COLOR: SEE TABLE
 PERIPHERAL SEAL: SILICONE, GREEN
 MAT SEAL: SILICONE, BLUE
 SEAL COVER: NYLON 6/6, 15% GLASS-FILLED, BLACK
 ISL: NYLON 6/6, 35% GLASS-FILLED, NATURAL
 CPA: PBT, 33% GLASS-FILLED, GRAY

- ² OPTIONAL CPA & ISL SHOWN IN PRE-LATCHED, AS SHIPPED, POSITION.

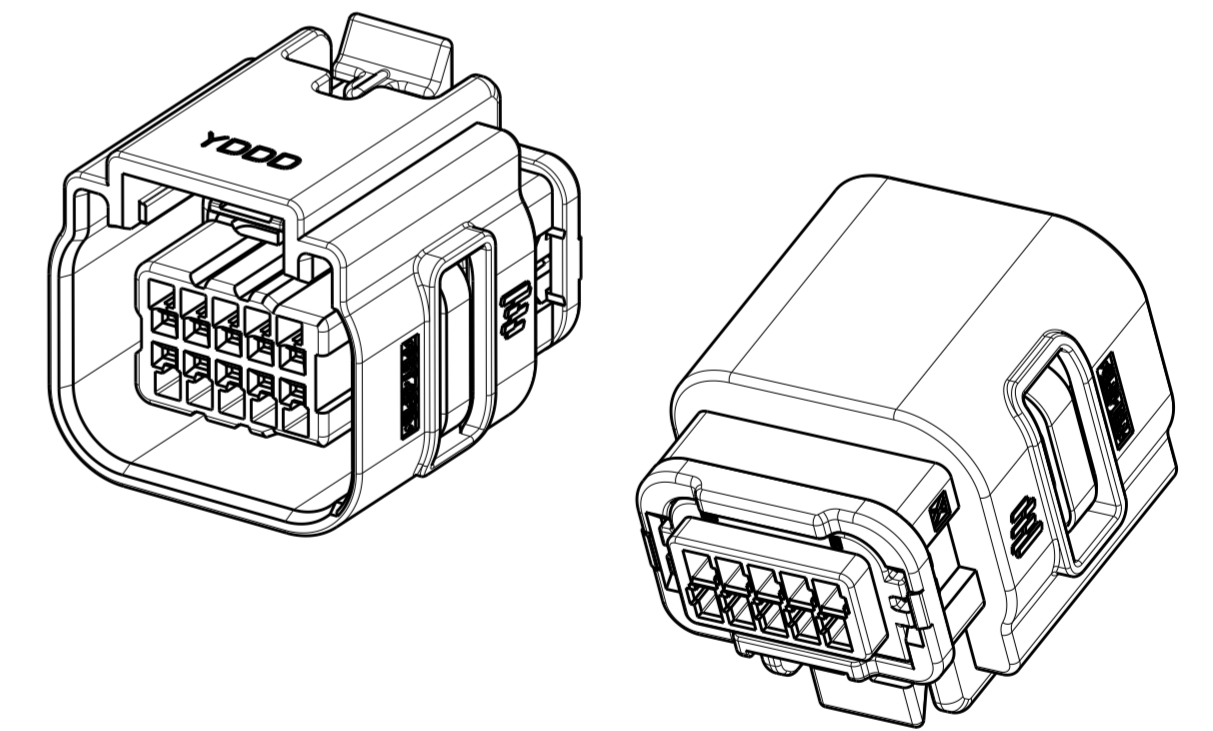
- ³ OPTIONAL CPA & ISL SHOWN IN CLOSED POSITION.

- 4. PLUG ASSEMBLY MATES WITH USCAR INTERFACE DRAWING 064-S-010-2-Z01.

- 5. PLUG ASSEMBLY WILL ACCEPT THE FOLLOWING TERMINAL PART NUMBERS: 2035170-1, 2035170-2

- ⁶ PART NUMBERS MARKED AS PRELIMINARY HAVE NOT BEEN RELEASED PER FORMAL QUALIFICATIONS.

- 7. REFERENCE INSTRUCTION SHEET 408-10350 FOR ASSEMBLY INSTRUCTIONS.

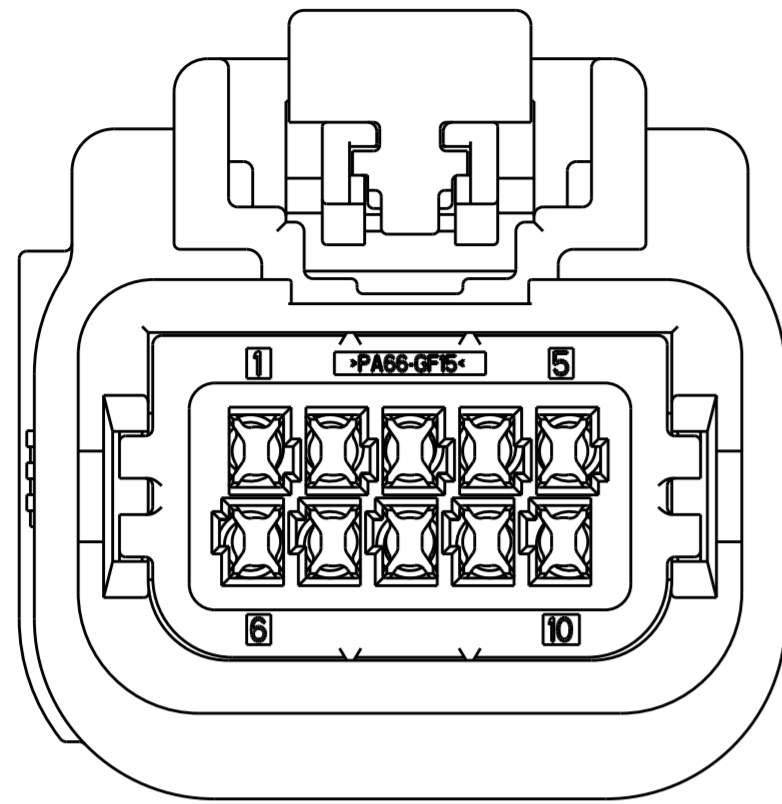


SEE SHEET 2 FOR PART NUMBERS AND CIRCUIT CONFIGURATIONS

THIS DRAWING IS A CONTROLLED DOCUMENT.		DWN S. VINAY 25MAR2009	TE Connectivity	
		CHK MD BROWN 14APR2009		
		APVD MD BROWN 14APR2009	NAME	
DIMENSIONS: mm 		PRODUCT SPEC APPLICATION SPEC WEIGHT CUSTOMER DRAWING		PLUG ASSEMBLY, 10 POSITION (2x5), SEALED, GENERATION Y
TOLERANCES UNLESS OTHERWISE SPECIFIED: 0 PLC ± 1 PLC ±0.3 2 PLC ±0.1 3 PLC ± 4 PLC ± ANGLES ±1° FINISH		SIZE A200779 CAGE CODE C-2098269 SCALE 2:1 SHEET 1 OF 2		RESTRICTED TO REV B12

THIS DRAWING IS UNPUBLISHED. RELEASED FOR PUBLICATION 20
 © COPYRIGHT 20 BY - ALL RIGHTS RESERVED.

REVISIONS					
P	LTR	DESCRIPTION	DATE	DWN	APVD
-	-	SEE SHEET 1	-	-	-



VIEW ID-ID
SCALE 4:1

<table border="1"> <tr><td>1</td><td>2</td><td>3</td><td>4</td><td>5</td></tr> <tr><td>X</td><td>X</td><td></td><td></td><td></td></tr> <tr><td>6</td><td>7</td><td>8</td><td>9</td><td>10</td></tr> <tr><td>X</td><td>X</td><td>X</td><td>X</td><td>X</td></tr> </table>	1	2	3	4	5	X	X				6	7	8	9	10	X	X	X	X	X	C16	<table border="1"> <tr><td>1</td><td>2</td><td>3</td><td>4</td><td>5</td></tr> <tr><td></td><td></td><td></td><td>X</td><td></td></tr> <tr><td>6</td><td>7</td><td>8</td><td>9</td><td>10</td></tr> <tr><td>X</td><td>X</td><td>X</td><td>X</td><td></td></tr> </table>	1	2	3	4	5				X		6	7	8	9	10	X	X	X	X		C15
1	2	3	4	5																																							
X	X																																										
6	7	8	9	10																																							
X	X	X	X	X																																							
1	2	3	4	5																																							
			X																																								
6	7	8	9	10																																							
X	X	X	X																																								
<table border="1"> <tr><td>1</td><td>2</td><td>3</td><td>4</td><td>5</td></tr> <tr><td></td><td></td><td></td><td></td><td></td></tr> <tr><td>6</td><td>7</td><td>8</td><td>9</td><td>10</td></tr> <tr><td></td><td>X</td><td></td><td>X</td><td></td></tr> </table>	1	2	3	4	5						6	7	8	9	10		X		X		C14	<table border="1"> <tr><td>1</td><td>2</td><td>3</td><td>4</td><td>5</td></tr> <tr><td>X</td><td>X</td><td>X</td><td>X</td><td>X</td></tr> <tr><td>6</td><td>7</td><td>8</td><td>9</td><td>10</td></tr> <tr><td>X</td><td></td><td></td><td>X</td><td>X</td></tr> </table>	1	2	3	4	5	X	X	X	X	X	6	7	8	9	10	X			X	X	C13
1	2	3	4	5																																							
6	7	8	9	10																																							
	X		X																																								
1	2	3	4	5																																							
X	X	X	X	X																																							
6	7	8	9	10																																							
X			X	X																																							
<table border="1"> <tr><td>1</td><td>2</td><td>3</td><td>4</td><td>5</td></tr> <tr><td>X</td><td>X</td><td>X</td><td>X</td><td>X</td></tr> <tr><td>6</td><td>7</td><td>8</td><td>9</td><td>10</td></tr> <tr><td></td><td></td><td></td><td>X</td><td>X</td></tr> </table>	1	2	3	4	5	X	X	X	X	X	6	7	8	9	10				X	X	C12	<table border="1"> <tr><td>1</td><td>2</td><td>3</td><td>4</td><td>5</td></tr> <tr><td></td><td></td><td></td><td></td><td></td></tr> <tr><td>6</td><td>7</td><td>8</td><td>9</td><td>10</td></tr> <tr><td>X</td><td>X</td><td>X</td><td></td><td></td></tr> </table>	1	2	3	4	5						6	7	8	9	10	X	X	X			C11
1	2	3	4	5																																							
X	X	X	X	X																																							
6	7	8	9	10																																							
			X	X																																							
1	2	3	4	5																																							
6	7	8	9	10																																							
X	X	X																																									
<table border="1"> <tr><td>1</td><td>2</td><td>3</td><td>4</td><td>5</td></tr> <tr><td></td><td></td><td></td><td></td><td></td></tr> <tr><td>6</td><td>7</td><td>8</td><td>9</td><td>10</td></tr> <tr><td></td><td></td><td>X</td><td></td><td></td></tr> </table>	1	2	3	4	5						6	7	8	9	10			X			C10	<table border="1"> <tr><td>1</td><td>2</td><td>3</td><td>4</td><td>5</td></tr> <tr><td>X</td><td>X</td><td></td><td></td><td></td></tr> <tr><td>6</td><td>7</td><td>8</td><td>9</td><td>10</td></tr> <tr><td>X</td><td>X</td><td></td><td></td><td>X</td></tr> </table>	1	2	3	4	5	X	X				6	7	8	9	10	X	X			X	C9
1	2	3	4	5																																							
6	7	8	9	10																																							
		X																																									
1	2	3	4	5																																							
X	X																																										
6	7	8	9	10																																							
X	X			X																																							
<table border="1"> <tr><td>1</td><td>2</td><td>3</td><td>4</td><td>5</td></tr> <tr><td>X</td><td>X</td><td>X</td><td></td><td></td></tr> <tr><td>6</td><td>7</td><td>8</td><td>9</td><td>10</td></tr> <tr><td></td><td>X</td><td>X</td><td></td><td></td></tr> </table>	1	2	3	4	5	X	X	X			6	7	8	9	10		X	X			C8	<table border="1"> <tr><td>1</td><td>2</td><td>3</td><td>4</td><td>5</td></tr> <tr><td></td><td></td><td></td><td></td><td></td></tr> <tr><td>6</td><td>7</td><td>8</td><td>9</td><td>10</td></tr> <tr><td>X</td><td>X</td><td></td><td></td><td>X</td></tr> </table>	1	2	3	4	5						6	7	8	9	10	X	X			X	C7
1	2	3	4	5																																							
X	X	X																																									
6	7	8	9	10																																							
	X	X																																									
1	2	3	4	5																																							
6	7	8	9	10																																							
X	X			X																																							
<table border="1"> <tr><td>1</td><td>2</td><td>3</td><td>4</td><td>5</td></tr> <tr><td></td><td></td><td></td><td></td><td></td></tr> <tr><td>6</td><td>7</td><td>8</td><td>9</td><td>10</td></tr> <tr><td></td><td></td><td>X</td><td></td><td>X</td></tr> </table>	1	2	3	4	5						6	7	8	9	10			X		X	C6	<table border="1"> <tr><td>1</td><td>2</td><td>3</td><td>4</td><td>5</td></tr> <tr><td></td><td></td><td></td><td></td><td></td></tr> <tr><td>6</td><td>7</td><td>8</td><td>9</td><td>10</td></tr> <tr><td></td><td></td><td></td><td></td><td>X</td></tr> </table>	1	2	3	4	5						6	7	8	9	10					X	C5
1	2	3	4	5																																							
6	7	8	9	10																																							
		X		X																																							
1	2	3	4	5																																							
6	7	8	9	10																																							
				X																																							
<table border="1"> <tr><td>1</td><td>2</td><td>3</td><td>4</td><td>5</td></tr> <tr><td></td><td></td><td>X</td><td>X</td><td></td></tr> <tr><td>6</td><td>7</td><td>8</td><td>9</td><td>10</td></tr> <tr><td></td><td></td><td>X</td><td>X</td><td>X</td></tr> </table>	1	2	3	4	5			X	X		6	7	8	9	10			X	X	X	C4	<table border="1"> <tr><td>1</td><td>2</td><td>3</td><td>4</td><td>5</td></tr> <tr><td>X</td><td></td><td></td><td></td><td></td></tr> <tr><td>6</td><td>7</td><td>8</td><td>9</td><td>10</td></tr> <tr><td></td><td></td><td></td><td></td><td></td></tr> </table>	1	2	3	4	5	X					6	7	8	9	10						C3
1	2	3	4	5																																							
		X	X																																								
6	7	8	9	10																																							
		X	X	X																																							
1	2	3	4	5																																							
X																																											
6	7	8	9	10																																							
<table border="1"> <tr><td>1</td><td>2</td><td>3</td><td>4</td><td>5</td></tr> <tr><td>X</td><td>X</td><td></td><td>X</td><td></td></tr> <tr><td>6</td><td>7</td><td>8</td><td>9</td><td>10</td></tr> <tr><td></td><td></td><td></td><td></td><td></td></tr> </table>	1	2	3	4	5	X	X		X		6	7	8	9	10						C2	<table border="1"> <tr><td>1</td><td>2</td><td>3</td><td>4</td><td>5</td></tr> <tr><td></td><td></td><td></td><td></td><td></td></tr> <tr><td>6</td><td>7</td><td>8</td><td>9</td><td>10</td></tr> <tr><td></td><td></td><td></td><td></td><td></td></tr> </table>	1	2	3	4	5						6	7	8	9	10						C1
1	2	3	4	5																																							
X	X		X																																								
6	7	8	9	10																																							
1	2	3	4	5																																							
6	7	8	9	10																																							

CIRCUIT CONFIGURATION
 [X] INDICATES UNAVAILABLE (BLOCKED) CIRCUIT

6.6	6.6	D
6.6	8.9	C
8.9	6.6	B
8.9	8.9	A
DIM B	DIM A	KEYING OPTION

COLOR	AVAILABILITY	CIRCUIT CONFIGURATION	OPTIONAL CPA	KEYING OPTION	PART NUMBER
BLACK	RELEASED	C16	YES	A	5-2098269-1
GRAY	RELEASED	C15	YES	B	5-2098269-0
GRAY	RELEASED	C14	YES	B	4-2098269-9
GRAY	RELEASED	C8	YES	B	4-2098269-8
GREEN	RELEASED	C13	YES	D	4-2098269-7
BLACK	RELEASED	C12	YES	A	4-2098269-6
BLACK	RELEASED	C11	YES	A	4-2098269-5
BLACK	RELEASED	C10	YES	A	4-2098269-4
BLACK	RELEASED	C9	YES	A	4-2098269-3
BLACK	RELEASED	C8	YES	A	4-2098269-2
BLACK	RELEASED	C7	YES	A	4-2098269-1
BROWN	RELEASED	C6	YES	C	4-2098269-0
GRAY	RELEASED	C6	YES	B	3-2098269-9
BLACK	RELEASED	C5	YES	A	3-2098269-8
BLACK	RELEASED	C4	YES	A	3-2098269-7
BLACK	RELEASED	C3	YES	A	3-2098269-6
BLACK	RELEASED	C2	YES	A	3-2098269-5
GREEN	PRELIMINARY	C1	YES	D	3-2098269-4
BROWN	RELEASED	C1	YES	C	3-2098269-3
GRAY	RELEASED	C1	YES	B	3-2098269-2
BLACK	RELEASED	C1	YES	A	3-2098269-1
BLACK	RELEASED	C2	NO	A	2098269-5
GREEN	RELEASED	C1	NO	D	2098269-4
BROWN	PRELIMINARY	C1	NO	C	2098269-3
GRAY	PRELIMINARY	C1	NO	B	2098269-2
BLACK	RELEASED	C1	NO	A	2098269-1

THIS DRAWING IS A CONTROLLED DOCUMENT.

DIMENSIONS: mm	TOLERANCES UNLESS OTHERWISE SPECIFIED: 0 PLC ±0.3 1 PLC ±0.3 2 PLC ±0.1 3 PLC ± 4 PLC ANGLES ±1°	DWN S. VINAY 25MAR2009 CHK MD BROWN 14APR2009 APVD MD BROWN 14APR2009	TE Connectivity PLUG ASSEMBLY, 10 POSITION (2x5), SEALED, GENERATION Y
MATERIAL: -	FINISH: -	PRODUCT SPEC: - APPLICATION SPEC: - WEIGHT: -	

SIZE: A2 CAGE CODE: 00779 DRAWING NO: C-2098269 RESTRICTED TO: -
 CUSTOMER DRAWING SCALE: 2:1 SHEET: 2 OF 2 REV: B12

X-ON Electronics

Largest Supplier of Electrical and Electronic Components

Click to view similar products for [Automotive Connectors](#) category:

Click to view products by [TE Connectivity](#) manufacturer:

Other Similar products are found below :

[003-018-000](#) [60403001](#) [60993906-B](#) [M902-2131](#) [M902-2161](#) [72.330.1035.1](#) [73.353.4028.0](#) [F119300-B](#) [F166900](#) [F258300-B](#) [F358300-B](#)
[F407400](#) [F444110](#) [F487000](#) [F509500B-B](#) [827153-1](#) [8N1515-32-24P](#) [9-1326729-8](#) [925474-1](#) [928905-1](#) [964562-4](#) [968782-1](#) [GT17SA-8DS-](#)
[HU](#) [98891-1012](#) [98947-1016](#) [12004147](#) [12004475-L](#) [12010290](#) [12010309-B](#) [12015454](#) [12020219-B](#) [12020308](#) [12041318-B](#) [12052225-L](#)
[12052466](#) [12059125](#) [12064869](#) [12004327-B](#) [12010503-B](#) [12015308](#) [12015384](#) [12015909](#) [1-21030-1](#) [12041254](#) [12041318](#) [12047946-B](#)
[12047957](#) [12047957-L](#) [12059473](#) [12066261](#)