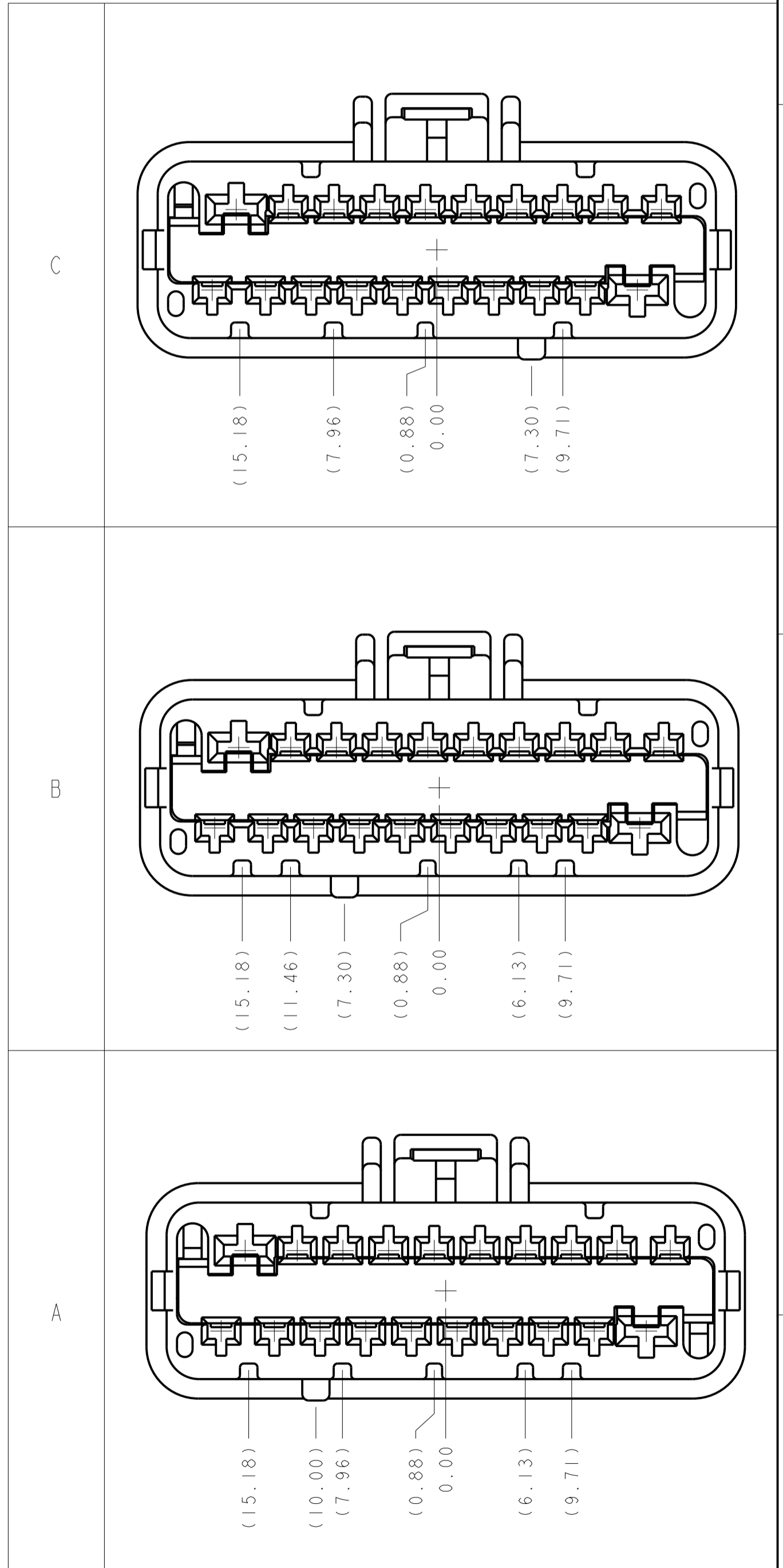
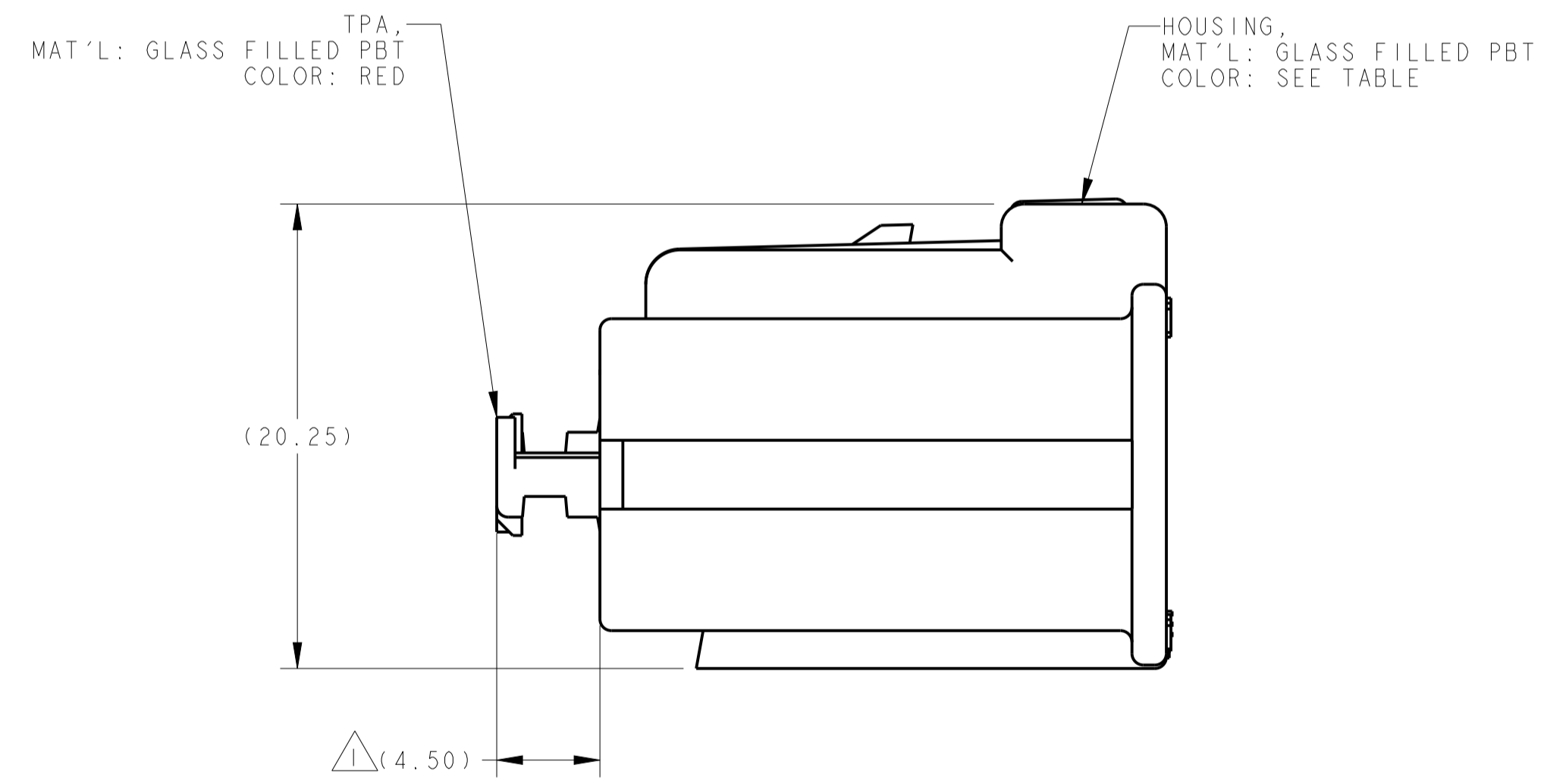
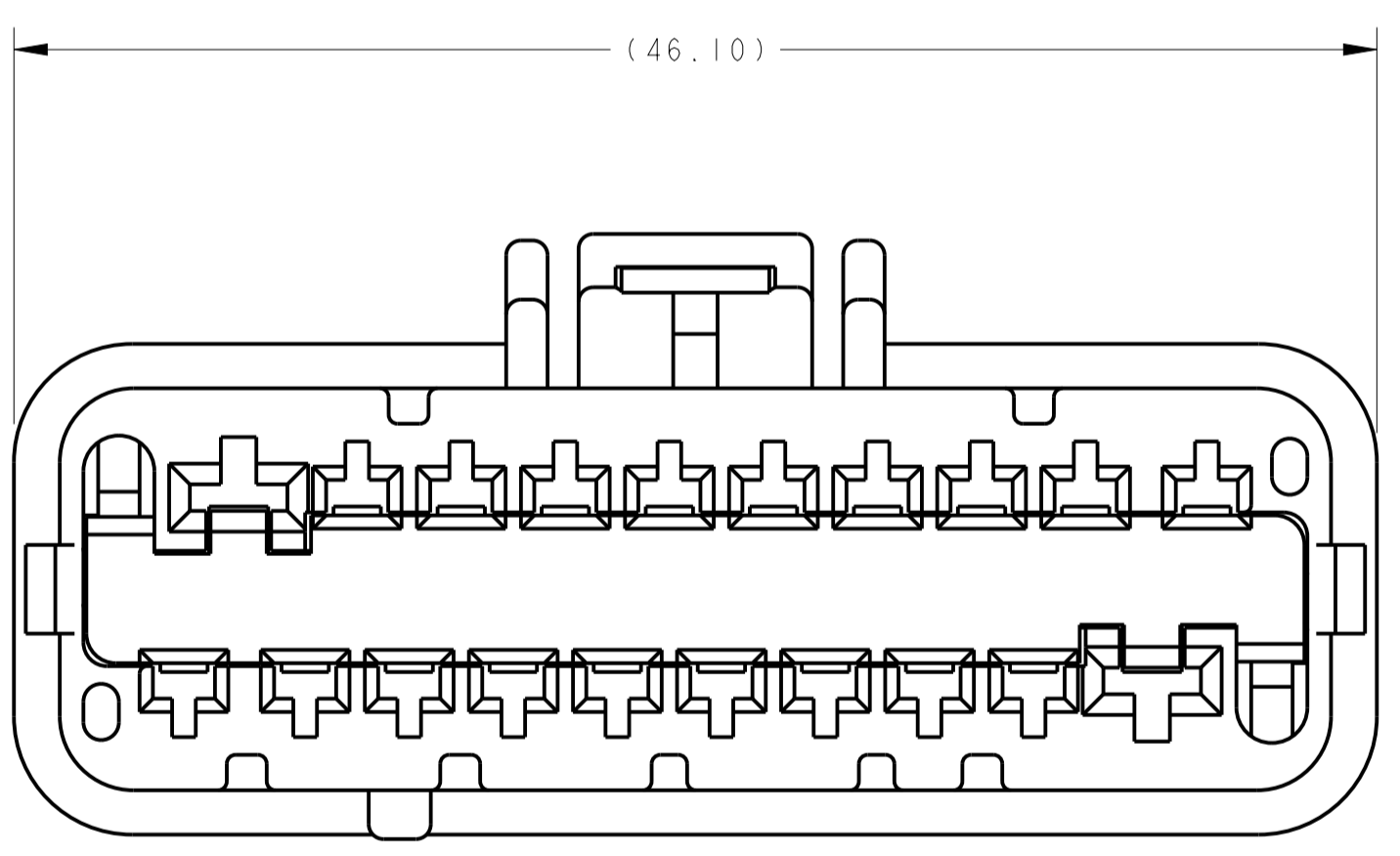
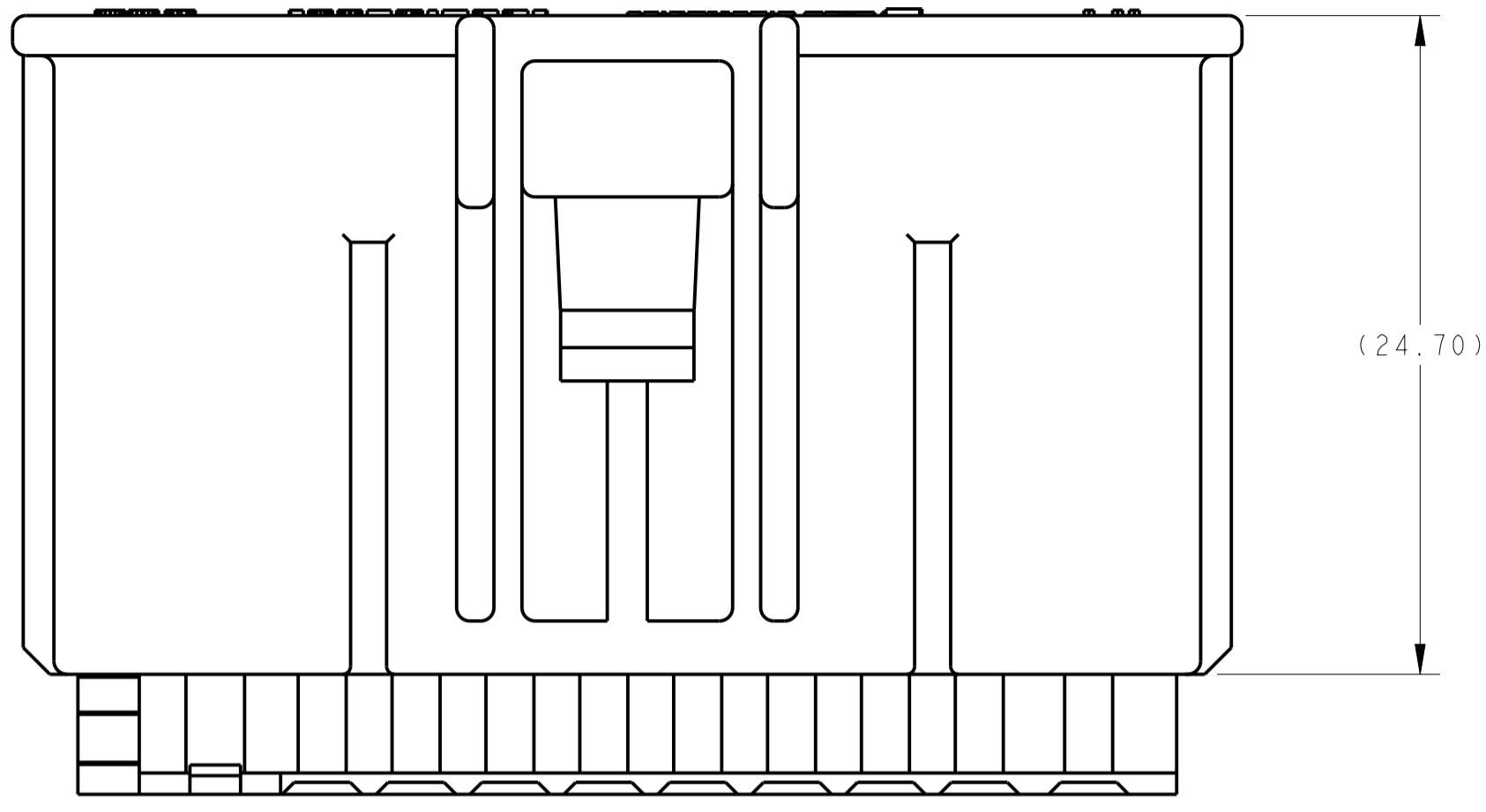


REVISIONS					
P.	LTN	DESCRIPTION	DATE	DWN	APVD
1		PROPOSED	27AUG2009	JRS	BSB
2		REVISED PER ECO-10-003257	16FEB2010	JRS	BSB
A		ECR-10-025922	20DEC2010	HM	BB
A1		ECR-14-007751	30MAY2014	VP	ML



- △ TPA SHIPPED IN STAGED POSITION.
- 2. THIS PLUG CONNECTOR MATES WITH CAP CONNECTOR, TYCO ELECTRONICS DRAWING NUMBER 2098380 AND IS INTENDED FOR CLASS 2 (105°C MAX) APPLICATIONS
- 3. SEE INSTRUCTION SHEET 408-10433.

CODE	ARRANGEMENTS
	KEYING

PART NUMBER	CODE	HOUSING COLOR
2098377-4	A	YELLOW
2098377-3	C	WHITE
2098377-2	B	GRAY
2098377-1	A	BLACK

THIS DRAWING IS A CONTROLLED DOCUMENT.

DIMENSIONS: mm

TOLERANCES UNLESS OTHERWISE SPECIFIED:

0 PLC	±
1 PLC	±
2 PLC	±
3 PLC	±
4 PLC	±
ANGLES	±

MATERIAL: SEE CALLOUT

FINISH: -

DATE: 27AUG2009

CHK: J.R. SHUEY, B.S. BUCHTER

APVD: -

NAME: PLUG, 20 POSITION HYBRID, UNSEALED 1.5/2.8

SIZE: A1

CAGE CODE: 100779

DRAWING NO: 2098377

RESTRICTED TO: -

CUSTOMER DRAWING

SCALE: 4:1

SHEET: 1 OF 1

REV: A1

TE Connectivity

X-ON Electronics

Largest Supplier of Electrical and Electronic Components

Click to view similar products for [Automotive Connectors](#) category:

Click to view products by [TE Connectivity](#) manufacturer:

Other Similar products are found below :

[003-018-000](#) [60403001](#) [60993906-B](#) [M902-2131](#) [M902-2161](#) [72.330.1035.1](#) [73.353.4028.0](#) [F119300-B](#) [F166900](#) [F258300-B](#) [F358300-B](#)
[F407400](#) [F444110](#) [F487000](#) [F509500B-B](#) [827153-1](#) [8N1515-32-24P](#) [9-1326729-8](#) [925474-1](#) [928905-1](#) [964562-4](#) [968782-1](#) [GT17SA-8DS-](#)
[HU](#) [98891-1012](#) [98947-1016](#) [12004147](#) [12004475-L](#) [12010290](#) [12010309-B](#) [12015454](#) [12020219-B](#) [12020308](#) [12041318-B](#) [12052225-L](#)
[12052466](#) [12059125](#) [12064869](#) [12004327-B](#) [12010503-B](#) [12015308](#) [12015384](#) [12015909](#) [1-21030-1](#) [12041254](#) [12041318](#) [12047946-B](#)
[12047957](#) [12047957-L](#) [12059473](#) [12066261](#)