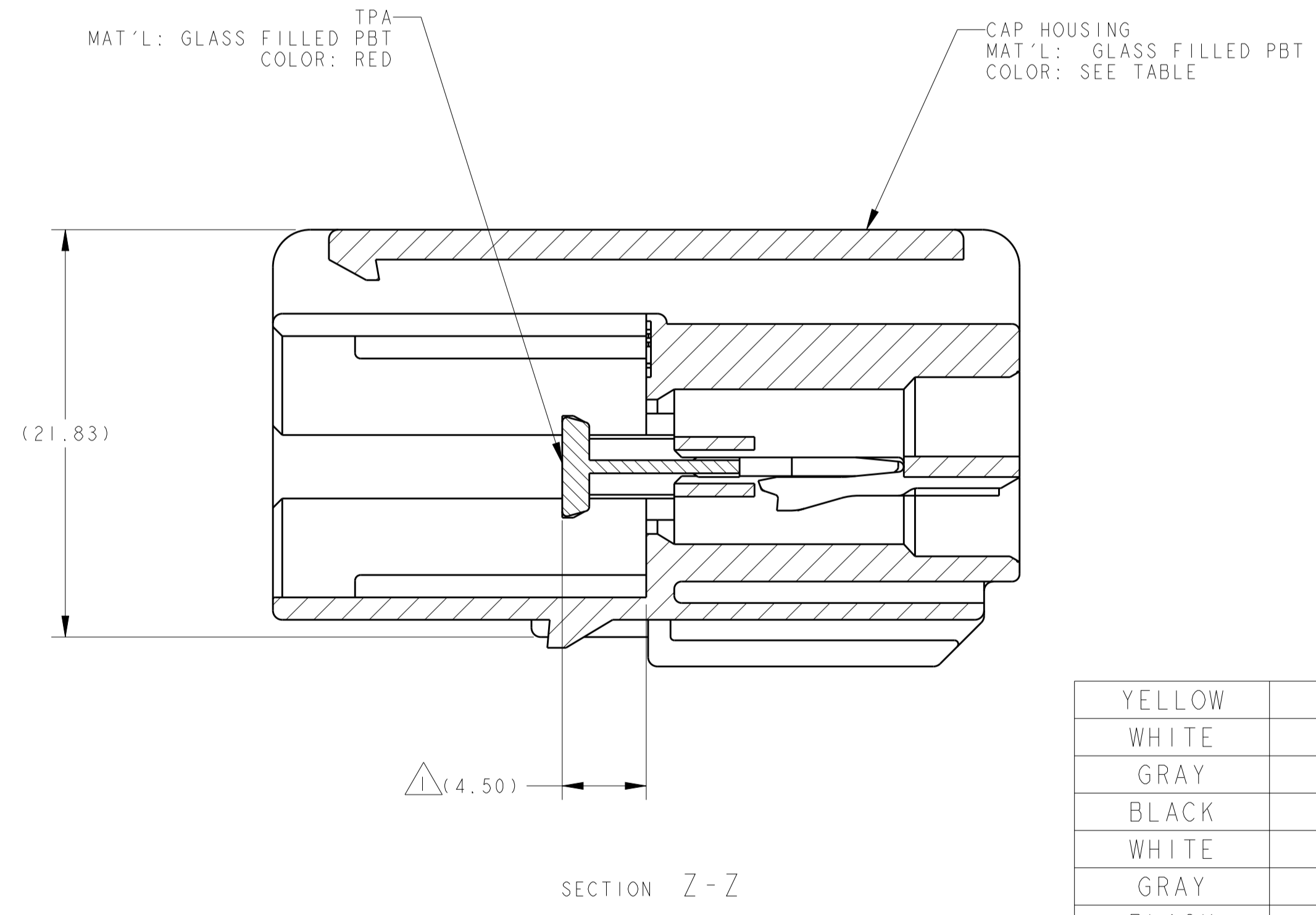
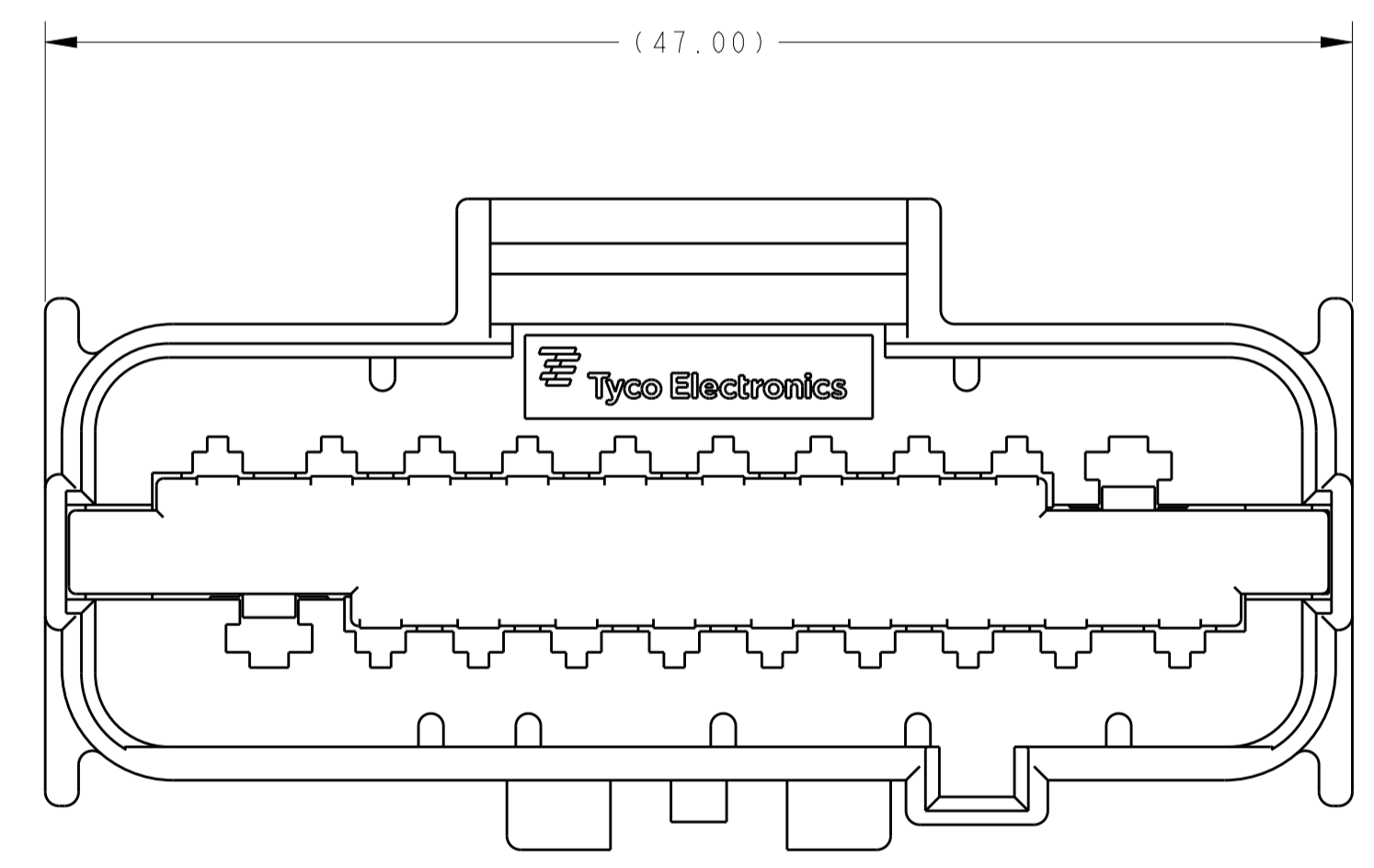
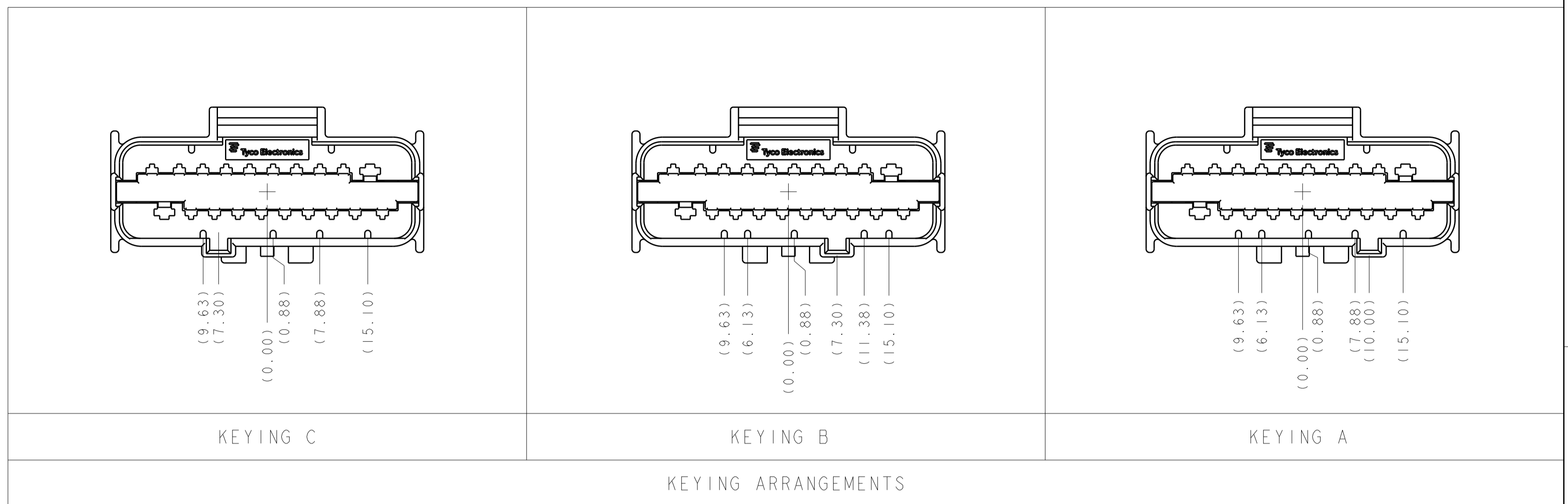
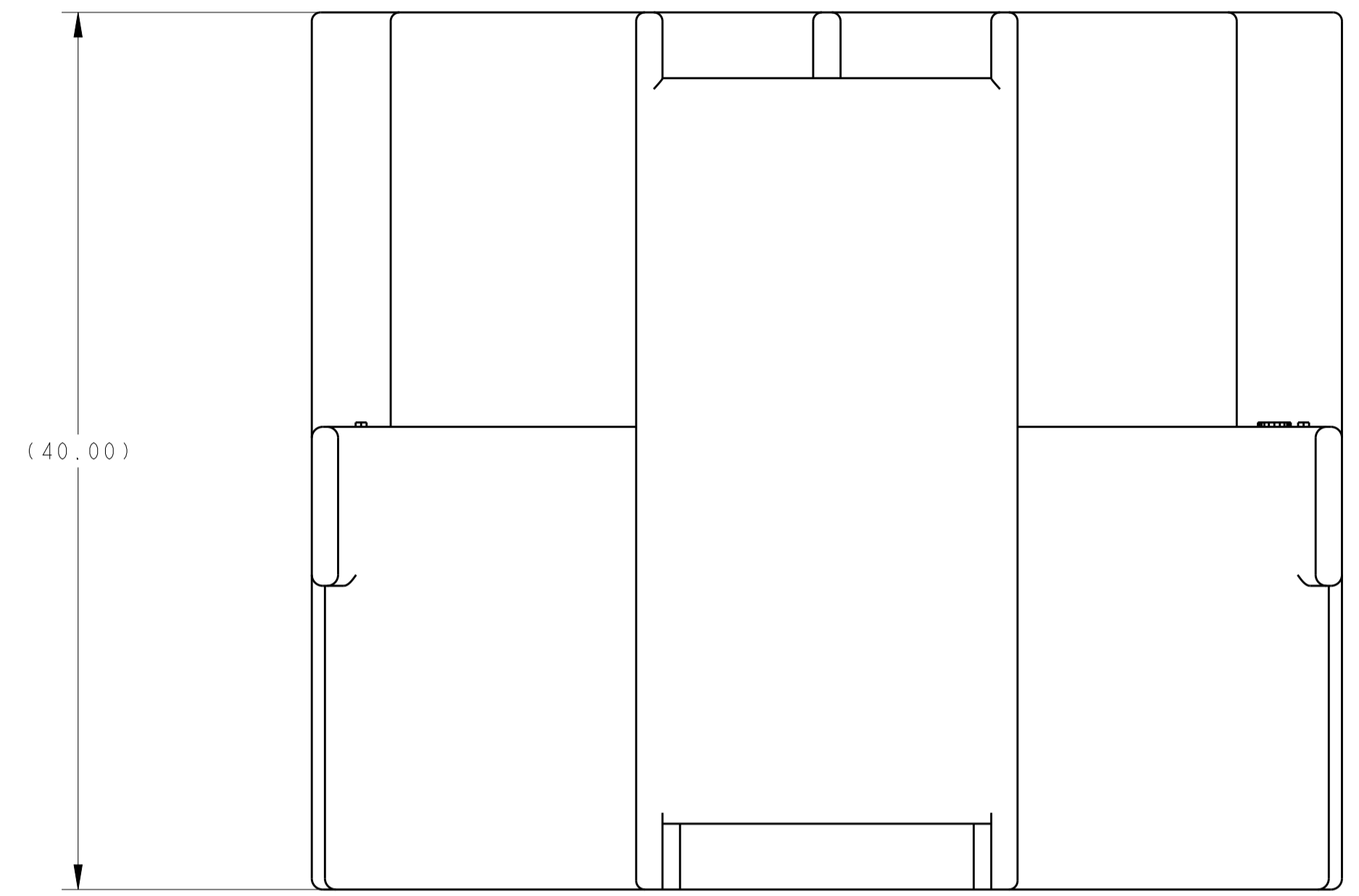


REVISIONS				
P.	LTN	DESCRIPTION	DATE	DWN APVD
1		FIRST DRAFT	27AUG2009	MBH BB
2		REVISED	15FEB2010	JRS BSB
A		ECR-10-025922	22DEC2010	HM BB
A1		ECR-14-007751	30MAY2014	VP ML



- △ TPA SHIPPED IN STAGED POSITION
- 2. THIS CAP CONNECTOR MATES WITH CAP CONNECTOR, TYCO ELECTRONICS DRAWING NUMBER 2098377 AND IS INTENDED FOR CLASS 2 (105°C MAX) APPLICATIONS
- 3. SEE INSTRUCTION SHEET 408-10433.

HOUSING COLOR	MOUNTING CLIP COMPATIBILITY	KEYING	PART NUMBER
YELLOW	STANDARD	A	1-2098380-0
WHITE	EPC	C	2098380-9
GRAY	EPC	B	2098380-8
BLACK	EPC	A	2098380-7
WHITE	NONE	C	2098380-6
GRAY	NONE	B	2098380-5
BLACK	NONE	A	2098380-4
WHITE	STANDARD	C	2098380-3
GRAY	STANDARD	B	2098380-2
BLACK	STANDARD	A	2098380-1

THIS DRAWING IS A CONTROLLED DOCUMENT.

DIMENSIONS: mm

TOLERANCES UNLESS OTHERWISE SPECIFIED:

0 PLC	±0.0
1 PLC	±0.3
2 PLC	±0.1
3 PLC	±0.0
4 PLC	±0.0
ANGLES	±0.0
FINISH	▲3

MATERIAL: SEE CALLOUT

APPROVED: M. HITCHCOCK, B. BUCHTER, B. BUCHTER

DATE: 27AUG2009

NAME: CAP ASSEMBLY, 20 POSN UNSEALED HYBRID CONNECTOR

SIZE: A1, CAGE CODE: 00779, DRAWING NO: 2098380

RESTRICTED TO: -

CUSTOMER DRAWING

SCALE: 4:1, SHEET 1 OF 1, REV: A1

X-ON Electronics

Largest Supplier of Electrical and Electronic Components

Click to view similar products for [D-Sub Standard Connectors](#) category:

Click to view products by [TE Connectivity](#) manufacturer:

Other Similar products are found below :

[DCM37S732N](#) [DAM15P500](#) [DEV09S364GTLF](#) [DEM09P032N](#) [DDM50P732N](#) [DAM15S332N](#) [173109-2218](#) [173109-2466](#) [173109-2436](#)
[173109-2435](#) [56F706-005-LI](#) [56F711-015](#) [015-0341-000](#) [015-0372-008](#) [015-8544-011](#) [017041-0005](#) [020419-0104](#) [012-0515-000](#) [012-9507-](#)
[034](#) [012-9507-114](#) [012-9534-001](#) [020745-0008](#) [609-25P](#) [M24308/2-23Z](#) [M243082310F](#) [M243082410F](#) [M243082411F](#) [M24308/4-21](#)
[CT1A18-11PSA206](#) [CT1N36-5SC](#) [CT2-16S-17PS](#) [CT2-20-15PCAU](#) [CT2-24-12PS](#) [CT2-24-28PSF127A206](#) [CT2-32-9PC](#) [CT6F9767-14-4-](#)
[14S-5PC](#) [CT6FA10SL-4PS](#) [CT7-18-10SC](#) [CT7-18-10SCAU](#) [CT7-18-12SCAU](#) [CT7-18-1PC](#) [CT7-18-1PCAU](#) [CT7-18-21SCAU](#) [M83513/01-](#)
[FC](#) [M83723/76W24619 L/C](#) [M85049/48-3-2F](#) [69001-865](#) [6STD09PCM99B70X](#) [6STD09SCM99B30X](#) [6STD09SCT99S40X](#)