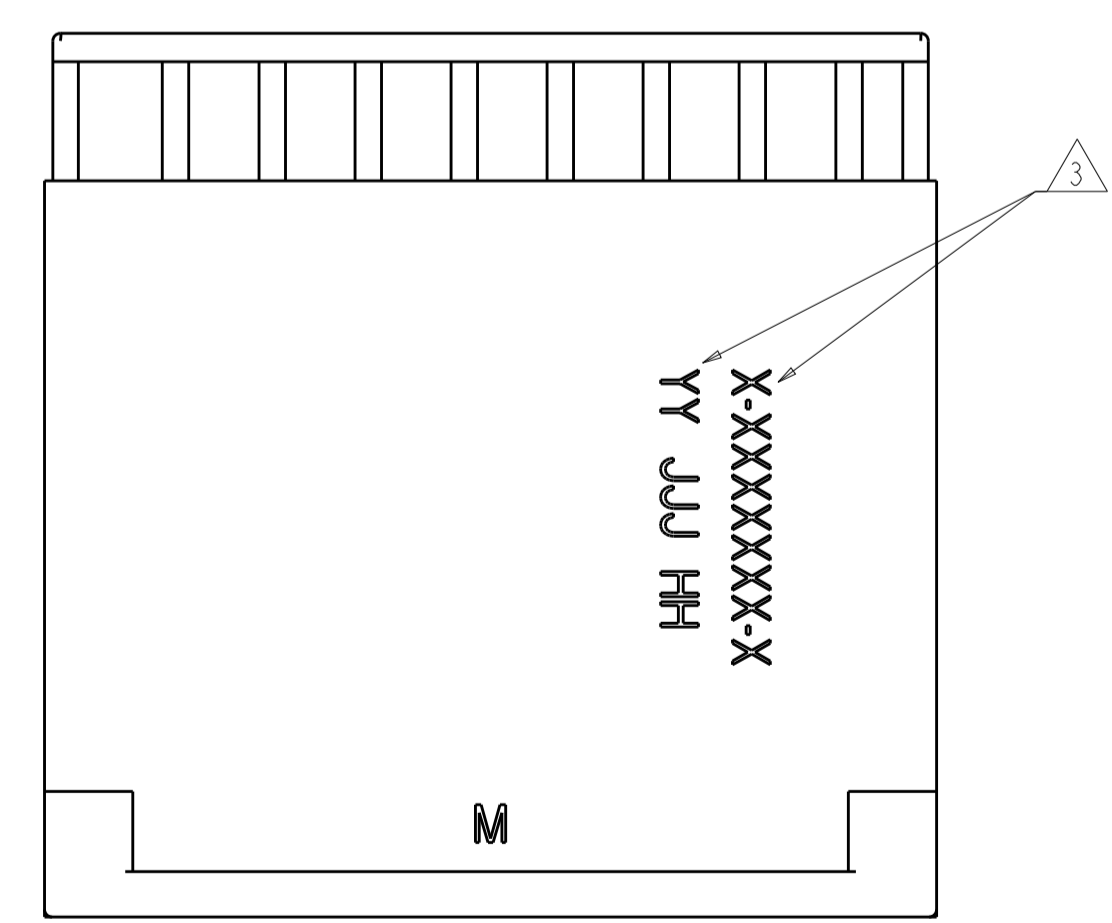
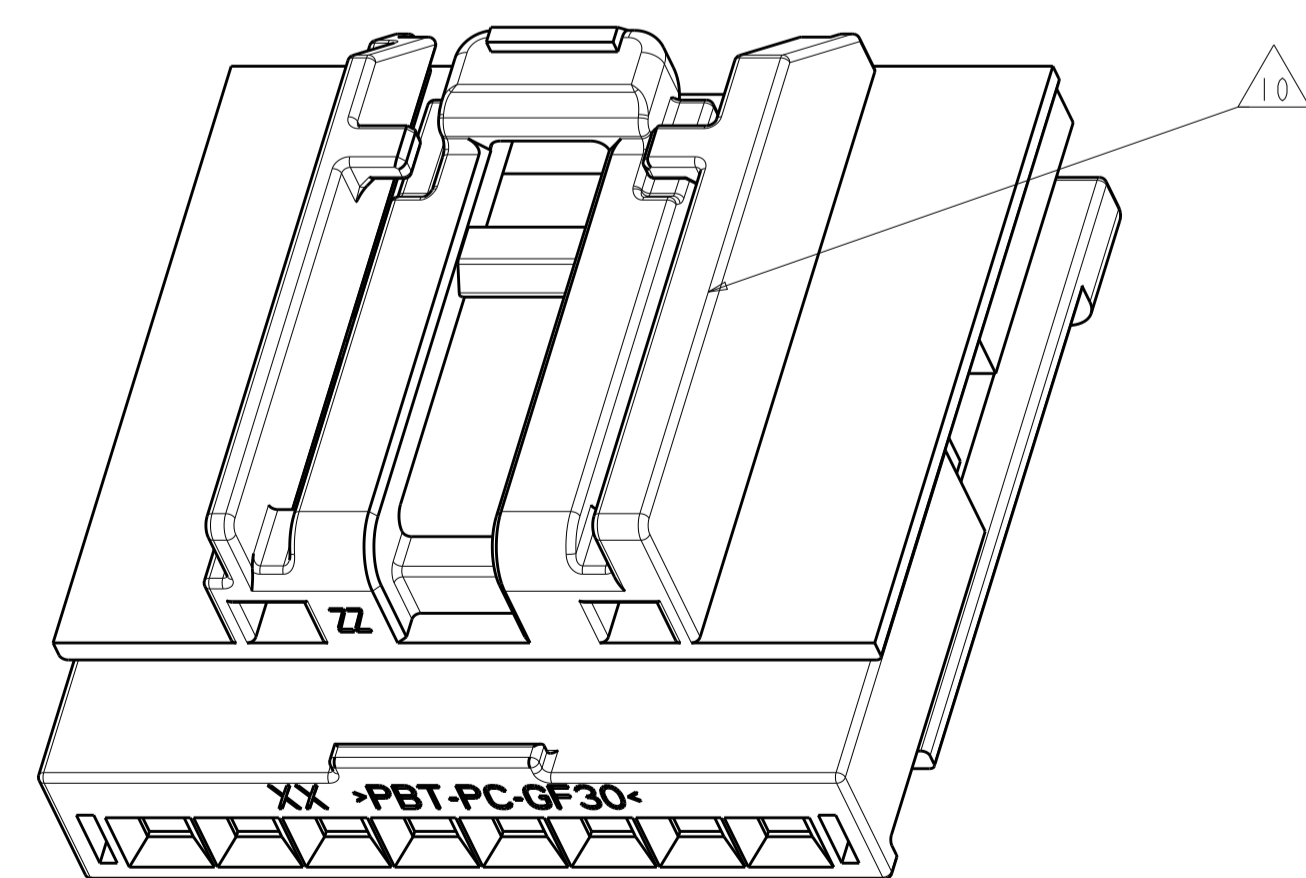
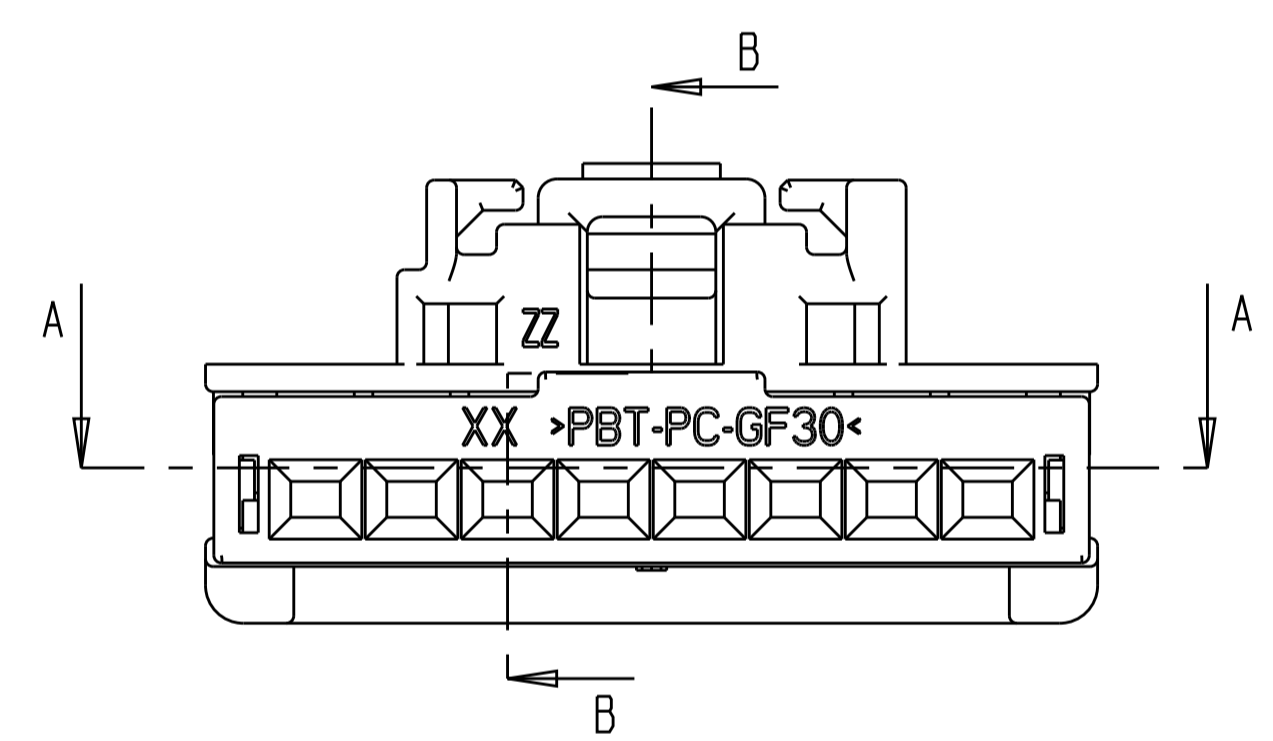
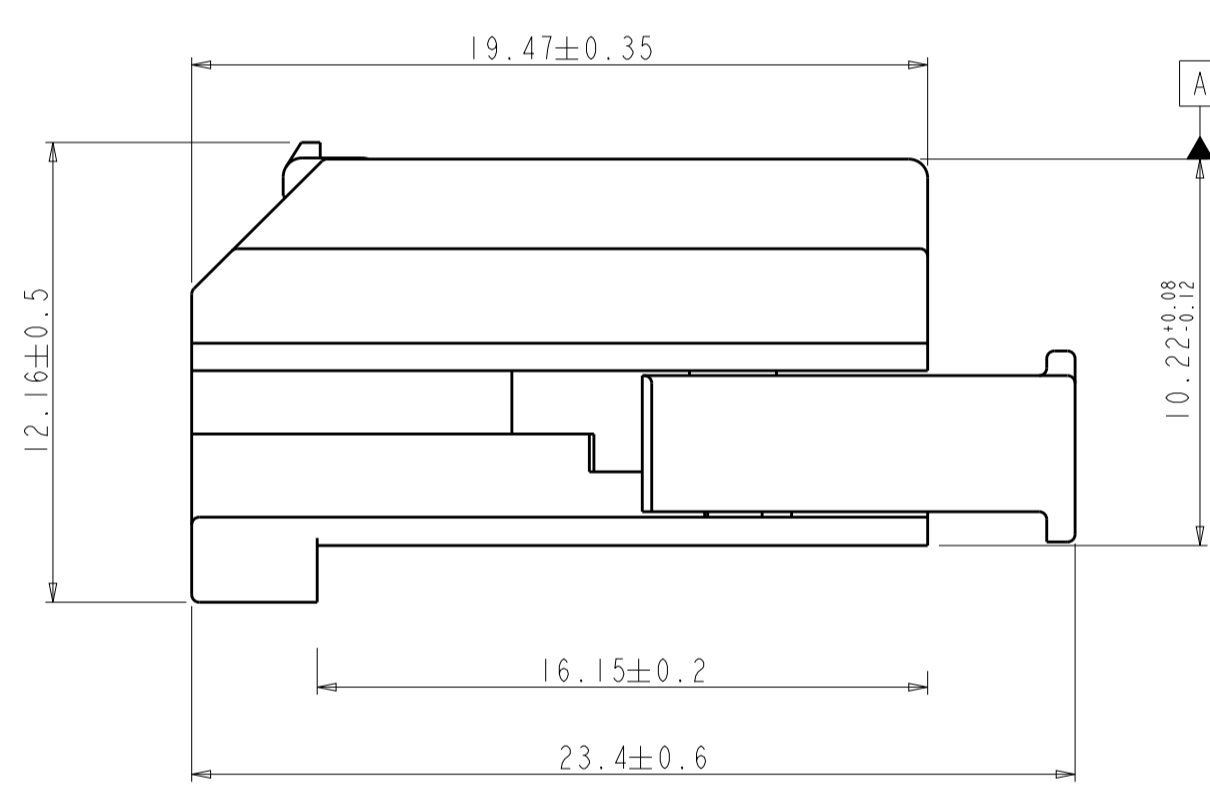
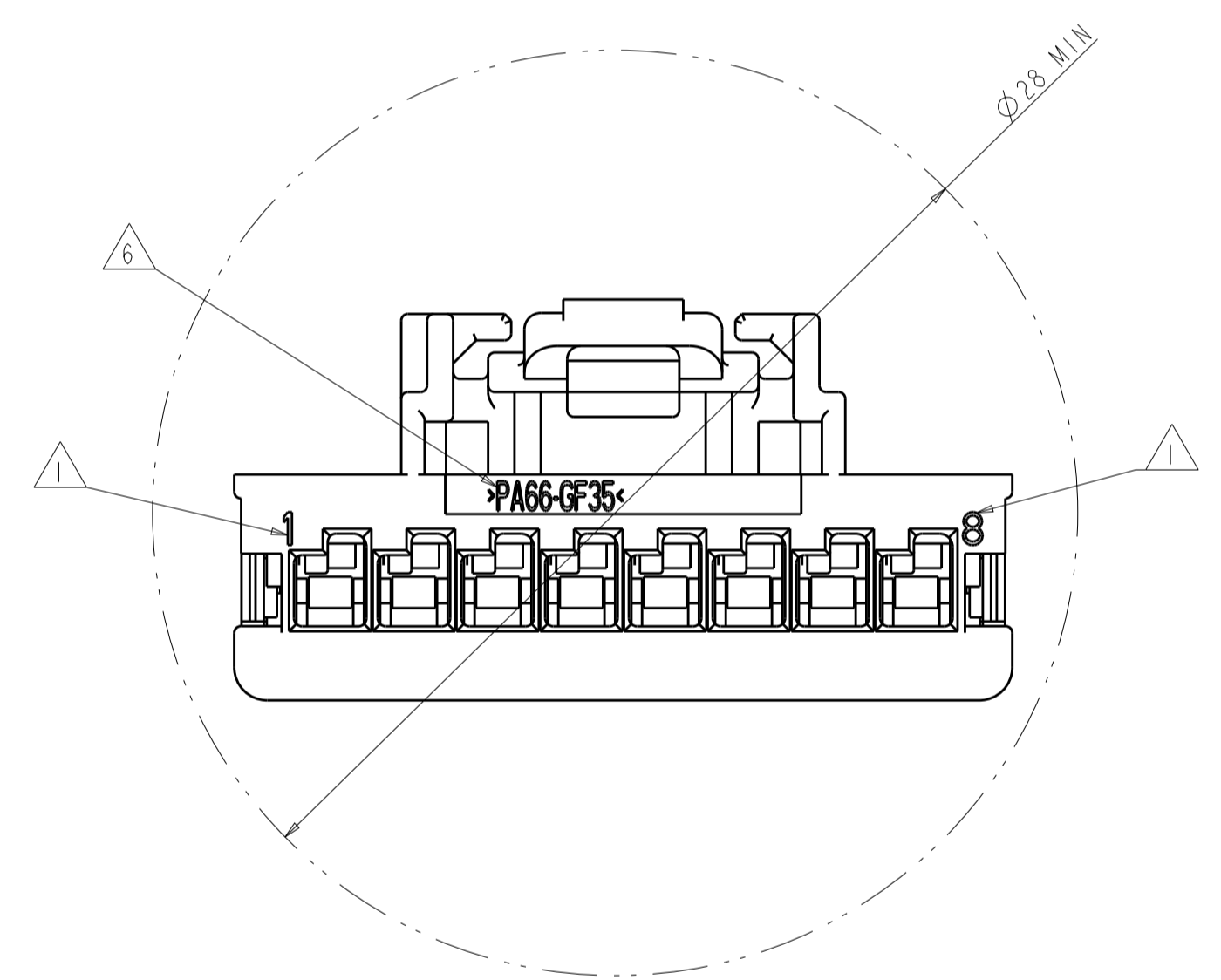
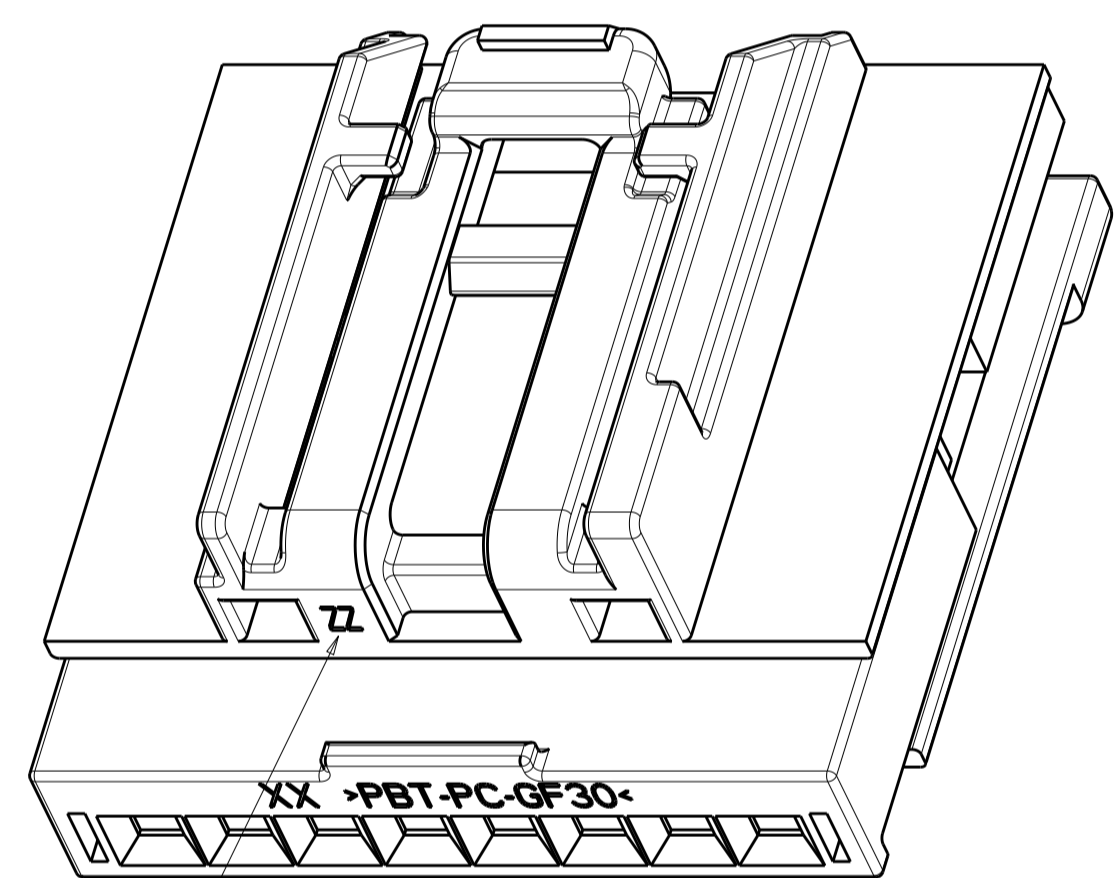
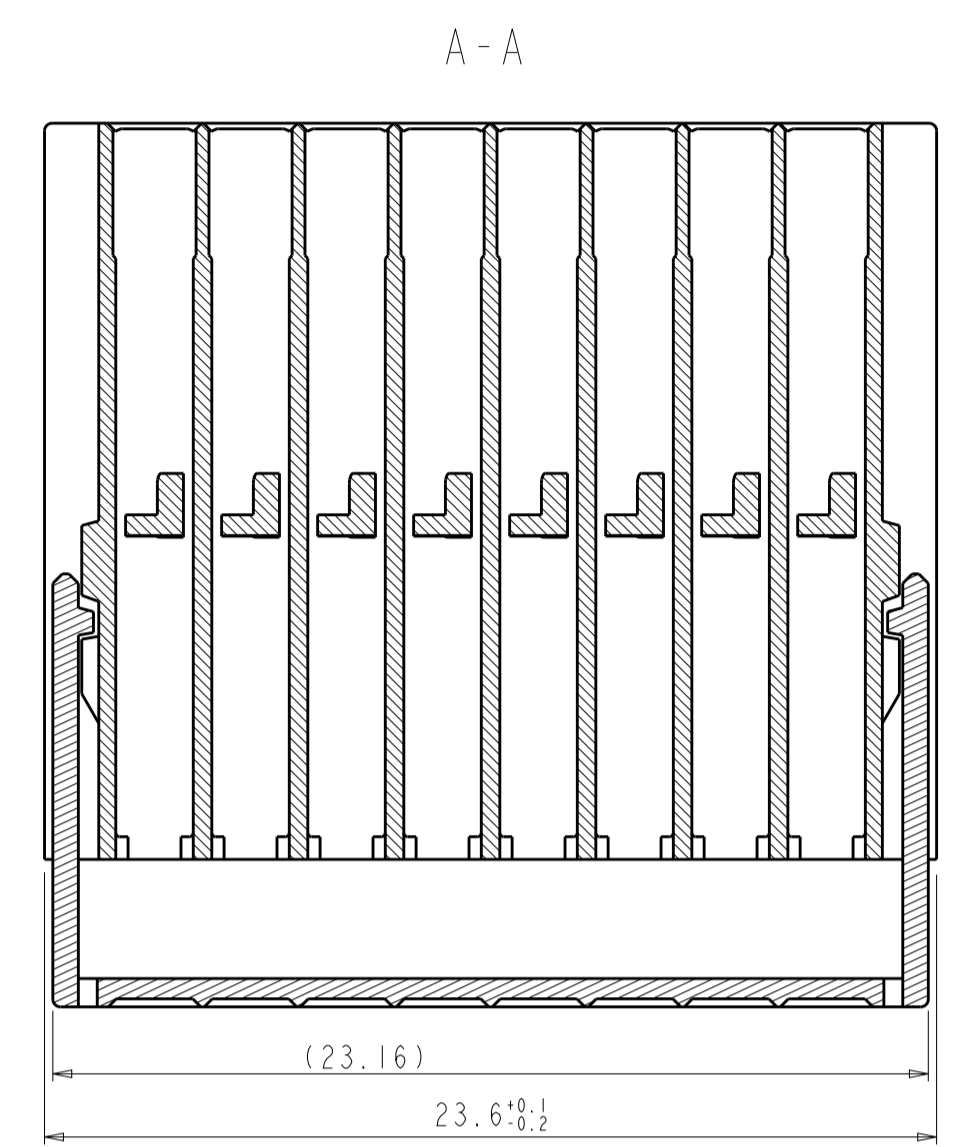


LOC	DIST	REVISIONS					
		P	LTN	DESCRIPTION	DATE	DWN	APVD
A1	00	C		REVISED PER ECO-11-009047	09MAY2011	DD	RL
		D		REVISED PER ECO-12-014001	31JUL2012	DD	RL
		D1		REVISED PER ECO-19-008900	18JUN2019	JMS	CM



- △ TERMINAL CAVITY ID.
- 2. SPACER AND CPA (OPTIONAL) ARE SHIPPED IN PRE-ASSEMBLY POSITION.
- △ PART NUMBER AND DATE CODE.
- △ MOLD CAVITY ID.
- △ MATERIAL IDENTIFICATION.
- 7. PACKAGING: CONNECTOR ASSEMBLIES BULK PACKED IN CARDBOARD BOX.
- 8. DURING SHIPPING AND HANDLING THE TPA MAY BE DISPLACED TO ITS LOCKED POSITION. THE CONNECTOR CAN BE RETURNED TO ITS PROPER FUNCTION USING IS SHEET 408-10104.
- 9. APPLICABLE TERMINAL PART NUMBERS (SOLD SEPERATLY) GOLD APPLICATIONS 1393364 AND 1393365. TIN APPLICATIONS 1393366 AND 1393367 FOR TERMINATION AND REELING OPTIONS SEE DRAWINGS 1393364, 1393365, 1393366 AND 1393367.
- △ 10. OPTIONAL CONSTRUCTION.

TE ORDER NUMBER	DESCRIPTION	COLOR	MATERIAL
2098407-3	FEMALE HSG	YELLOW	>PA66-GF35<
2098407-1	SPACER	RED	>PBT-GF30<
	CPA	RED	>PBT-GF20<
QUANTITY	DESCRIPTION	COLOR	MATERIAL

THIS DRAWING IS A CONTROLLED DOCUMENT. DWN: D. DRUMMOND 23JUN2009  
 CHK: D. ZUTAUT 23JUN2009  
 APVD: D. ZUTAUT 23JUN2009

DIMENSIONS: mm

TOLERANCES UNLESS OTHERWISE SPECIFIED:  
 0-ELC ±  
 1-PLC ±  
 2-PLC ±  
 3-PLC ±  
 4-PLC ±  
 ANGLES °

FINISH

MATERIAL

PRODUCT SPEC  
 APPLICATION SPEC  
 WEIGHT  
 Customer Drawing

NAME: 1X8 POSITION, GET FEMALE CONNECTOR UNSEALED, ASSEMBLY, SAFETY APPLICATION  
 SIZE: A1  
 CAGE CODE: 00779  
 DRAWING NO: 2098407  
 RESTRICTED TO: -

SCALE: 5:1 SHEET 1 OF 1 REV: D1

TE Connectivity

## X-ON Electronics

Largest Supplier of Electrical and Electronic Components

*Click to view similar products for [Automotive Connectors](#) category:*

*Click to view products by [TE Connectivity](#) manufacturer:*

Other Similar products are found below :

[003-018-000](#) [60403001](#) [60993906-B](#) [M902-2131](#) [M902-2161](#) [M902-2344](#) [72.330.1035.1](#) [73.353.4028.0](#) [F119300-B](#) [F166900](#) [F258300-B](#)  
[F358300-B](#) [F407400](#) [F444110](#) [F487000](#) [F509500B-B](#) [827153-1](#) [8N1515-32-24P](#) [9-1326729-8](#) [925474-1](#) [928905-1](#) [964562-4](#) [968782-1](#)  
[GT17SA-8DS-HU](#) [98891-1012](#) [98947-1016](#) [12004147](#) [12004475-L](#) [12010290](#) [12010309-B](#) [12015454](#) [12020219-B](#) [12041318-B](#) [12052225-](#)  
[L](#) [12052466](#) [12064869](#) [12004327-B](#) [12015308](#) [12015384](#) [12015909](#) [1-21030-1](#) [12041254](#) [12041318](#) [12047946-B](#) [12047957](#) [12047957-L](#)  
[12059473](#) [12066261](#) [12110546](#) [12110546-B](#)