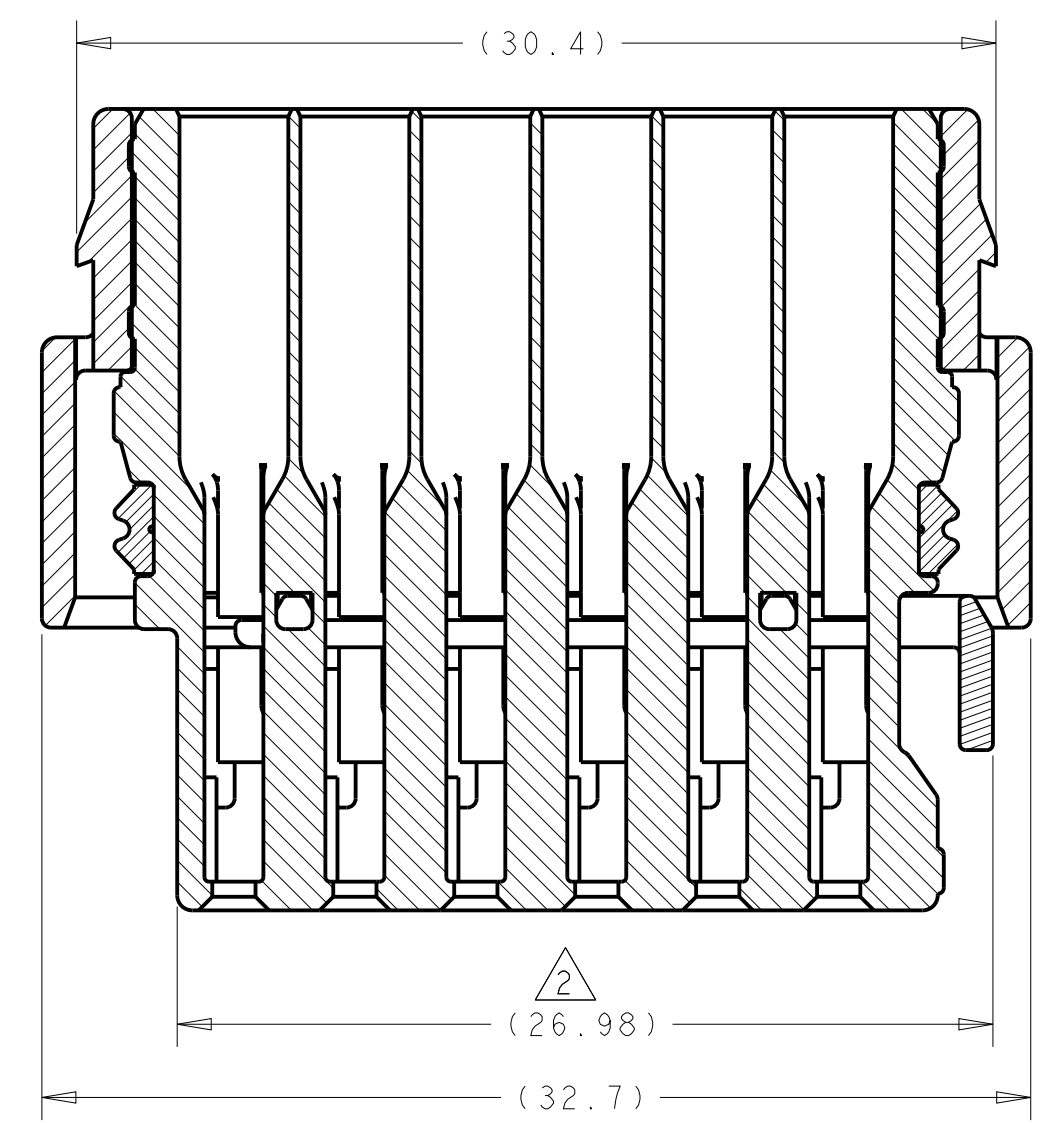
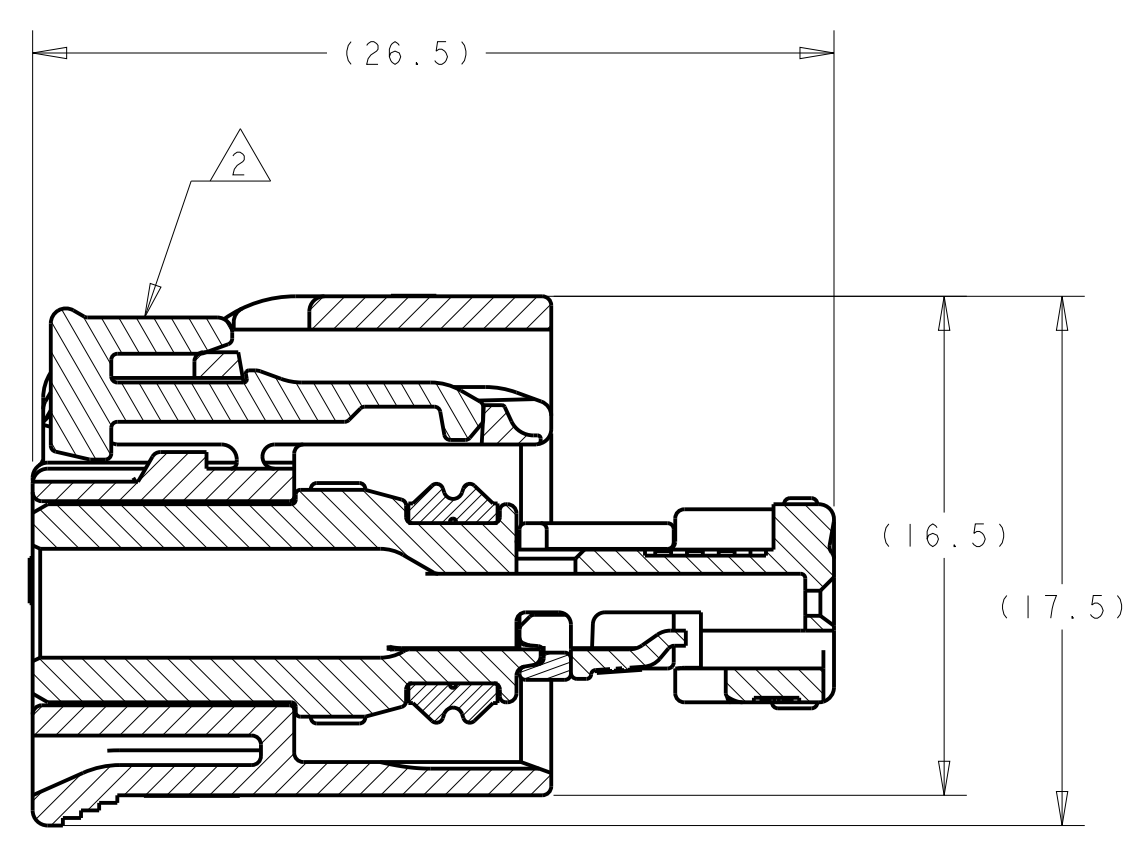


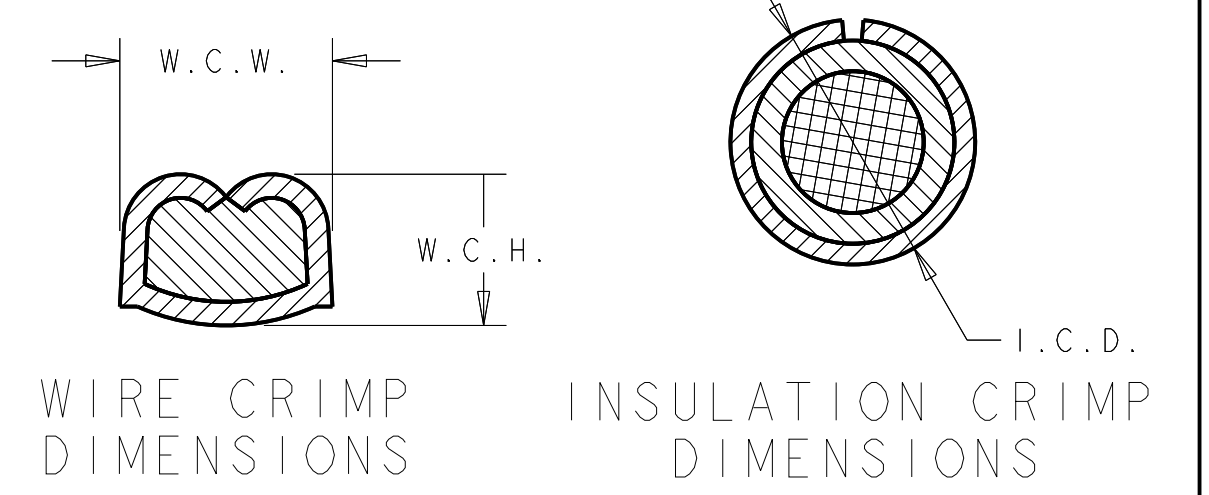
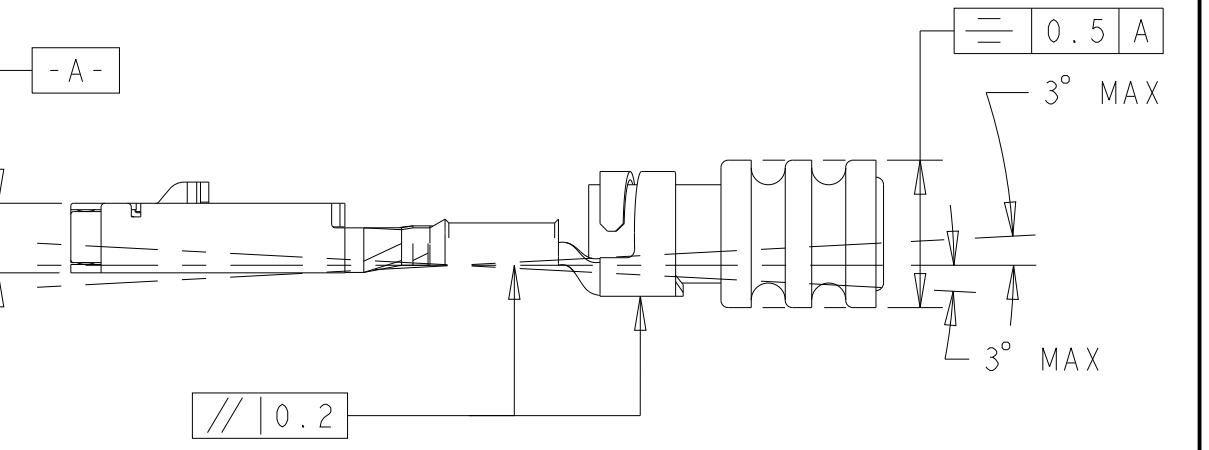
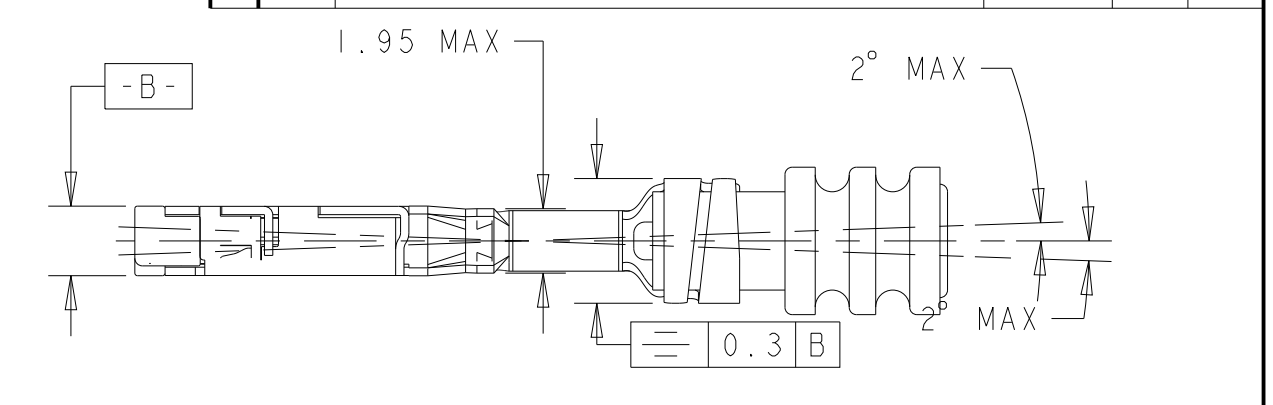
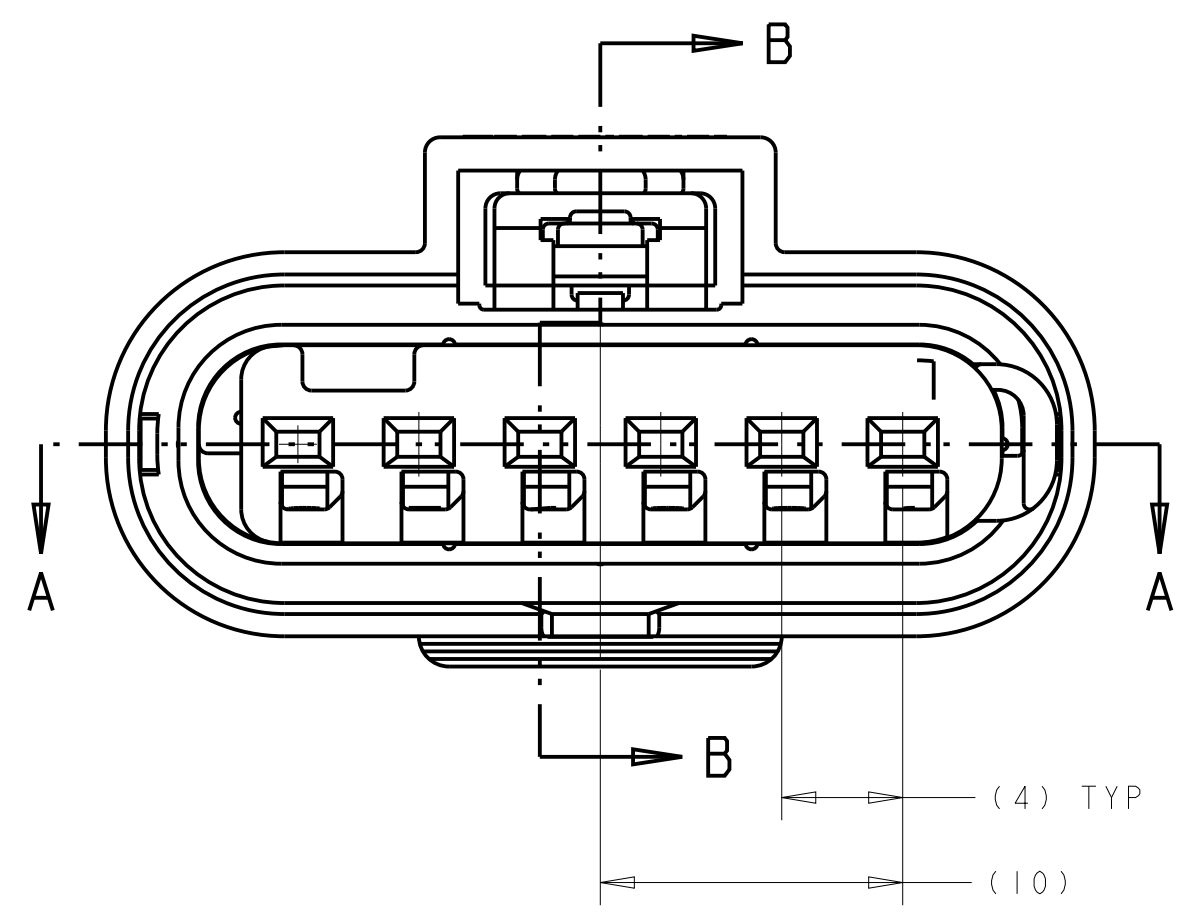
SECTION B-B  
SHOWN WITH CPA (WHEN APPLICABLE)  
IN IT'S LATCHED POSITION  
FOR REFERENCE ONLY



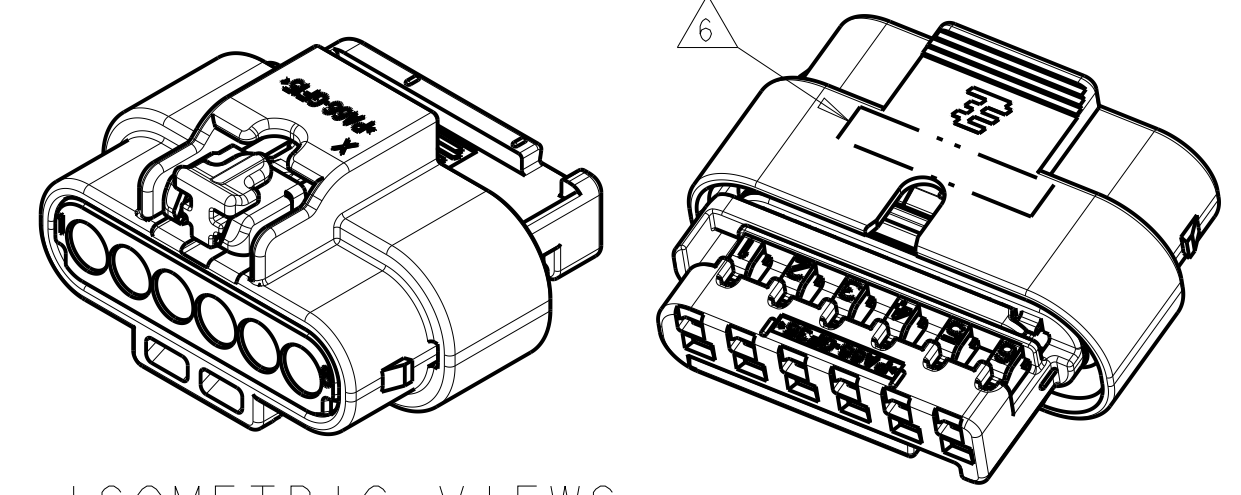
SECTION A-A  
SHOWN WITH TPA  
IN IT'S LATCHED POSITION  
FOR REFERENCE ONLY



SECTION B-B

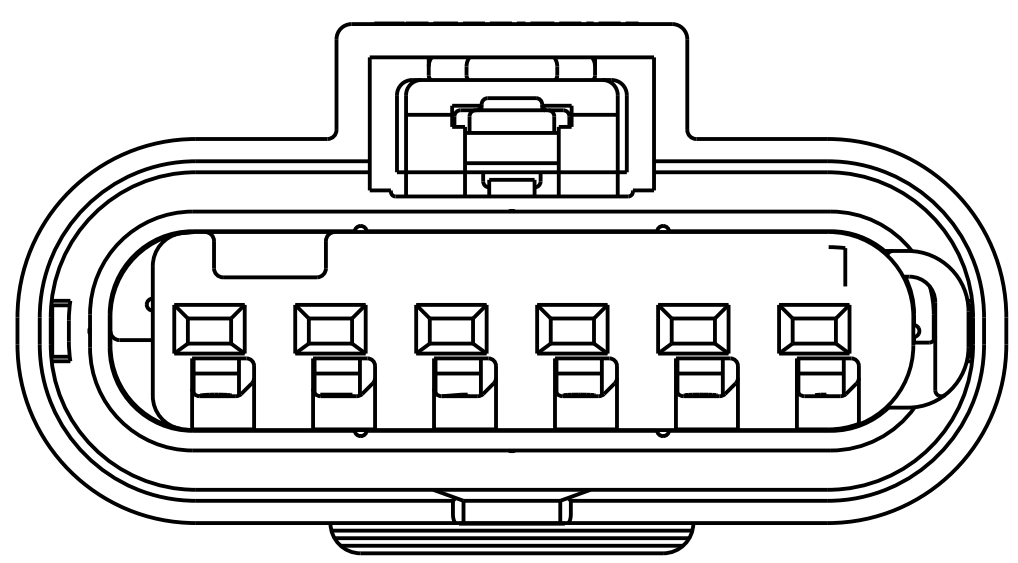


MAX TEMP	FEMALE TERMINAL PN	TERMINAL PLATING	AWG	APPLICABLE WIRE FINISHED O.D.	W.C.H.	W.C.W.	I.C.D.	WIRE SEAL PART NUMBER
125C	1670146-1	TIN	20	1.40 - 1.90mm	0.84 ±0.03	1.57 ±0.05	3.25 ±0.05	967067-1
125C	1670146-2	GOLD	20	1.40 - 1.90mm	0.84 ±0.03	1.57 ±0.05	3.25 ±0.05	967067-1
125C	1670146-3	SILVER	20	1.40 - 1.90mm	0.84 ±0.03	1.57 ±0.05	3.25 ±0.05	967067-1
125C	1418850-1	TIN	18	1.90 - 2.40mm	1.11 ±0.05	1.78 ±0.05	3.35 ±0.05	964972-1
125C	1418850-2	GOLD	18	1.90 - 2.40mm	1.11 ±0.05	1.78 ±0.05	3.35 ±0.05	964972-1
125C	1418850-3	SILVER	18	1.90 - 2.40mm	1.11 ±0.05	1.78 ±0.05	3.35 ±0.05	964972-1
125C	1418850-1	TIN	16	1.90 - 2.40mm	1.31 ±0.05	1.78 ±0.05	3.35 ±0.05	964972-1
125C	1418850-2	GOLD	16	1.90 - 2.40mm	1.31 ±0.05	1.78 ±0.05	3.35 ±0.05	964972-1
125C	1418850-3	SILVER	16	1.90 - 2.40mm	1.31 ±0.05	1.78 ±0.05	3.35 ±0.05	964972-1
150C	1670146-2	GOLD	20	1.40 - 1.90mm	0.84 ±0.03	1.57 ±0.05		2098582-1
150C	1670146-3	SILVER	20	1.40 - 1.90mm	0.84 ±0.03	1.57 ±0.05		2098582-1
150C	1418850-2	GOLD	18	1.40 - 1.90mm	1.11 ±0.05	1.78 ±0.05		2098582-1
150C	1418850-3	SILVER	18	1.40 - 1.90mm	1.11 ±0.05	1.78 ±0.05		2098582-1
150C	1418850-1	TIN	16	1.40 - 1.90mm	1.31 ±0.05	1.78 ±0.05		2098582-1
150C	1418850-2	GOLD	16	1.40 - 1.90mm	1.31 ±0.05	1.78 ±0.05		2098582-1
150C	1418850-3	SILVER	16	1.40 - 1.90mm	1.31 ±0.05	1.78 ±0.05		2098582-1

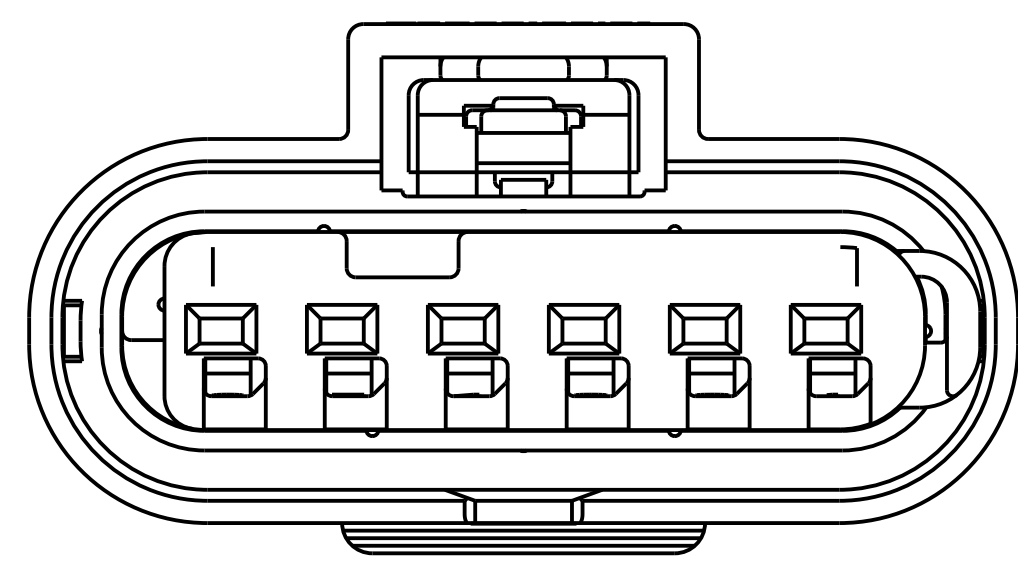


ISOMETRIC VIEWS  
SCALE 2:1

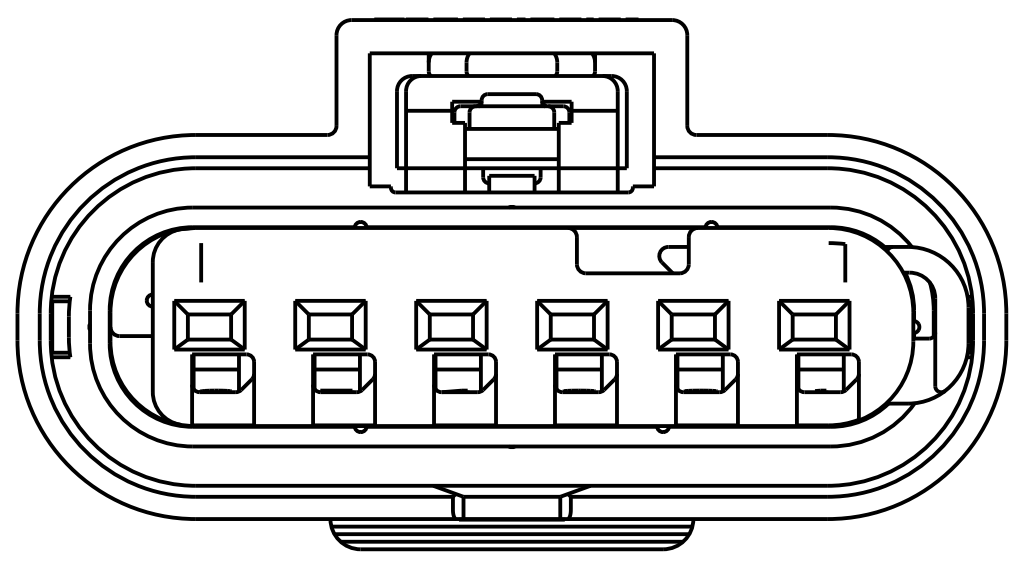
KEYING CONFIGURATIONS



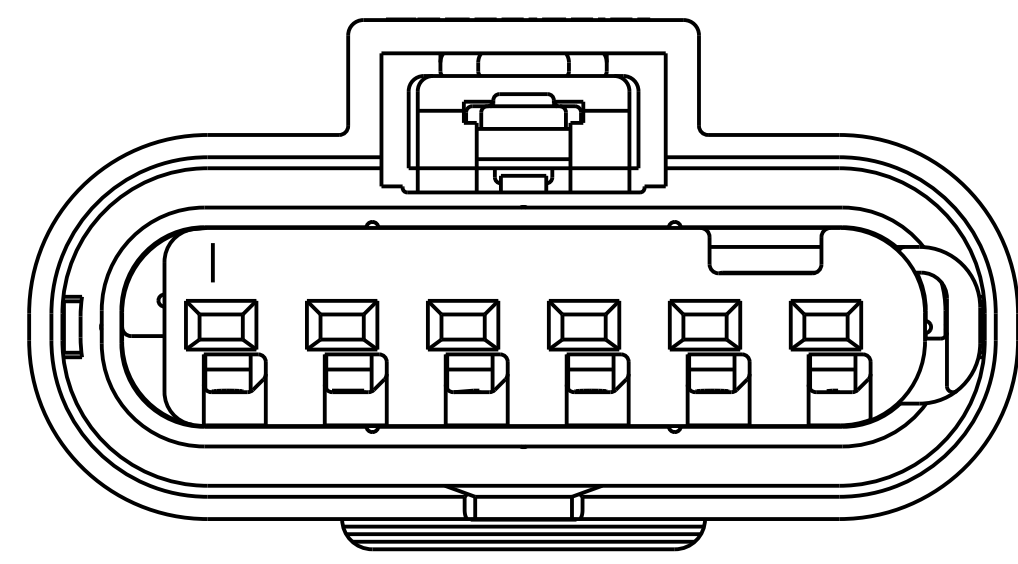
KEYING OPTION A



KEYING OPTION B



KEYING OPTION C



KEYING OPTION D

- PART NUMBER 2098559-5 SHOWN ON DRAWING.
- TPA AND CPA (WHEN APPLICABLE) ARE SHIPPED IN THEIR PRE-LATCHED POSITIONS. SEE INSTRUCTION SHEET 408-8968 FOR DIRECTIONS ON MOVING THE CPA AND TPA TO THE PRE-LATCHED POSITION, IF NECESSARY.
- TERMINALS SOLD SEPARATELY. FOR USE WITH TE MCON 1.2mm CLEAN BODY CONTACT WITH WIRE SEAL. SEE TE MCON 1.2-CB (CLEAN BODY) TABLE FOR APPLICABLE PART NUMBERS.
- APPLICABLE HEADER INTERFACE DRAWING 114-18679-3 IS AVAILABLE UPON REQUEST. A COPY OF THIS DRAWING CAN BE OBTAINED FROM THE TE CONNECTIVITY PRODUCT MANAGER, VIA YOUR TE CONNECTIVITY SALES REPRESENTATIVE OR CUSTOMER SERVICE.
- MINIMUM FEED THROUGH CONDITION WITH 1.0mm CLEARANCE ALL AROUND.
- TRACEABILITY CODE (YY = TWO DIGIT YEAR, JJJ = 3 DIGIT JULIAN DAY, S = 1 DIGIT SHIFT) AND TE ASSEMBLY PART NUMBER PRINTED IN THIS LOCATION AT ASSEMBLY.
- NOTE DELETED.
- VALIDATED UP TO USCAR-2 TEMPERATURE CLASS IV.
- TPA ENGAGE FORCE: PRESET TO FULL >= 3 N AND <= 60 N.
- TPA DISENGAGE FORCE: DISENGAGE FROM FULL TO PRESET >= 6 N AND <= 60 N.
- CPA ENGAGE FORCE: PRESET TO FULL WITHOUT CONNECTORS MATED >= 40 N.
- CPA ENGAGE FORCE: PRESET TO FULL WITH CONNECTORS MATED < 30 N.
- POLARIZATION FEATURE EFFECTIVENESS:  
CONNECTOR MATED TURNED 180° NO MATING > 150 N.  
WRONG KEYING NO MATING > 150 N.
- SEE INSTRUCTION SHEET 408-8928
- I.C.D. IS DEPENDENT UPON WIRE INSULATION TYPE AND OD. MUST BE SUFFICIENT TO GRIP SEAL SO IT DOES NOT SLIDE OUT OF INSULATION CRIMP WHEN INSERTING INTO CONNECTOR CAVITY BUT NOT TEAR THE SEAL.
- CAVITIES WITH A NUMBER INDICATE A CLOSED TERMINAL LOCATION. BLANK CAVITIES INDICATE OPEN TERMINAL LOCATION.
- REFERENCE ISOMETRIC VIEWS ON SHEET 2.

RELEASED	2138907-1								NATURAL/BROWN	D	4-2098559-4
RELEASED	1488787-1			4	3				NATURAL/BROWN	D	1-2098559-2
PRELIMINARY	1488787-1	6	5						NATURAL/BROWN	D	1-2098559-0
RELEASED	1488787-1								NATURAL/BROWN	D	2098559-8
RELEASED	N/A								NATURAL/BROWN	D	2098559-4
STATUS	CPA	6	5	4	3	2	1	COLOR	KEY	INNER HOUSING	PART NUMBER
RELEASED	2138907-1							NATURAL/BROWN	C	4-2098559-3	
RELEASED	1488787-1							NATURAL/BROWN	C	2098559-7	
RELEASED	N/A							NATURAL/BROWN	C	2098559-3	
STATUS	CPA	6	5	4	3	2	1	COLOR	KEY	INNER HOUSING	PART NUMBER
RELEASED	2138907-1							NATURAL/BROWN	B	4-2098559-2	
PRELIMINARY	1488787-1			4	3			NATURAL/BROWN	B	1-2098559-1	
PRELIMINARY	1488787-1	6	5					NATURAL/BROWN	B	2098559-9	
RELEASED	1488787-1							NATURAL/BROWN	B	2098559-6	
RELEASED	N/A							NATURAL/BROWN	B	2098559-2	
STATUS	CPA	6	5	4	3	2	1	COLOR	KEY	INNER HOUSING	PART NUMBER
RELEASED	2138907-1							NATURAL/BROWN	A	4-2098559-1	
RELEASED	1488787-1							NATURAL/BROWN	A	2098559-5	
RELEASED	N/A							NATURAL/BROWN	A	2098559-1	
STATUS	CPA	6	5	4	3	2	1	COLOR	KEY	INNER HOUSING	PART NUMBER

THIS DRAWING IS A CONTROLLED DOCUMENT.

TE Connectivity

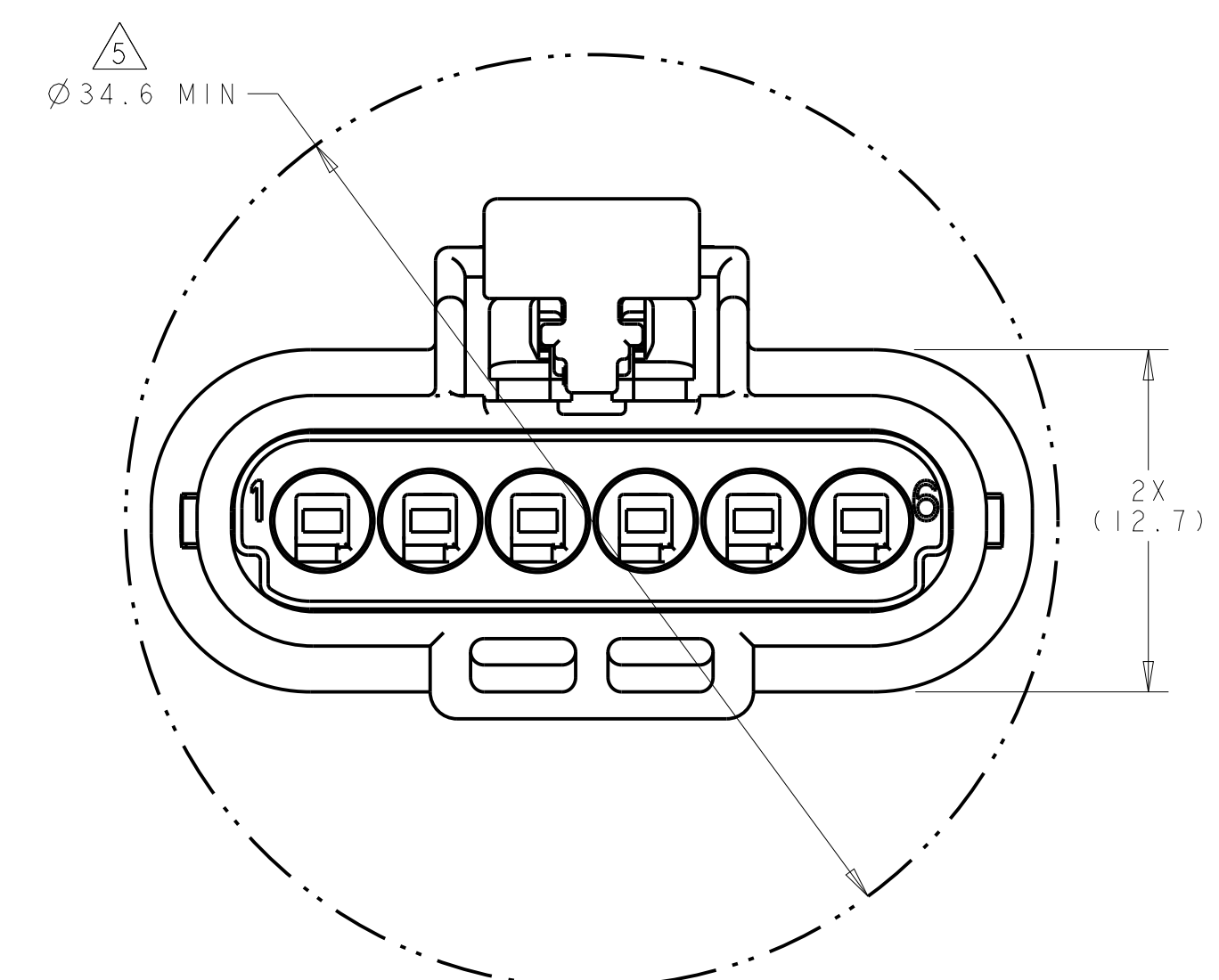
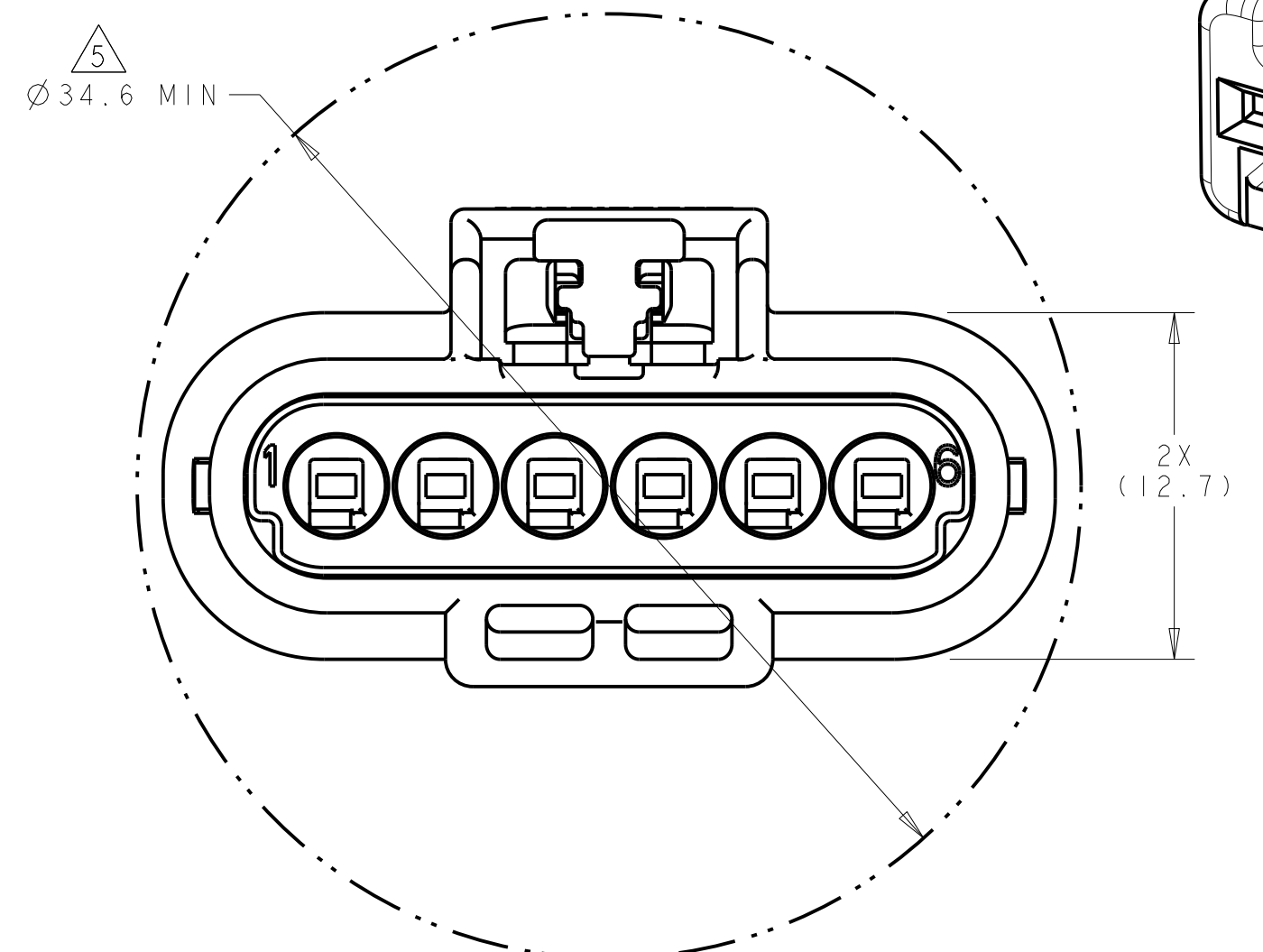
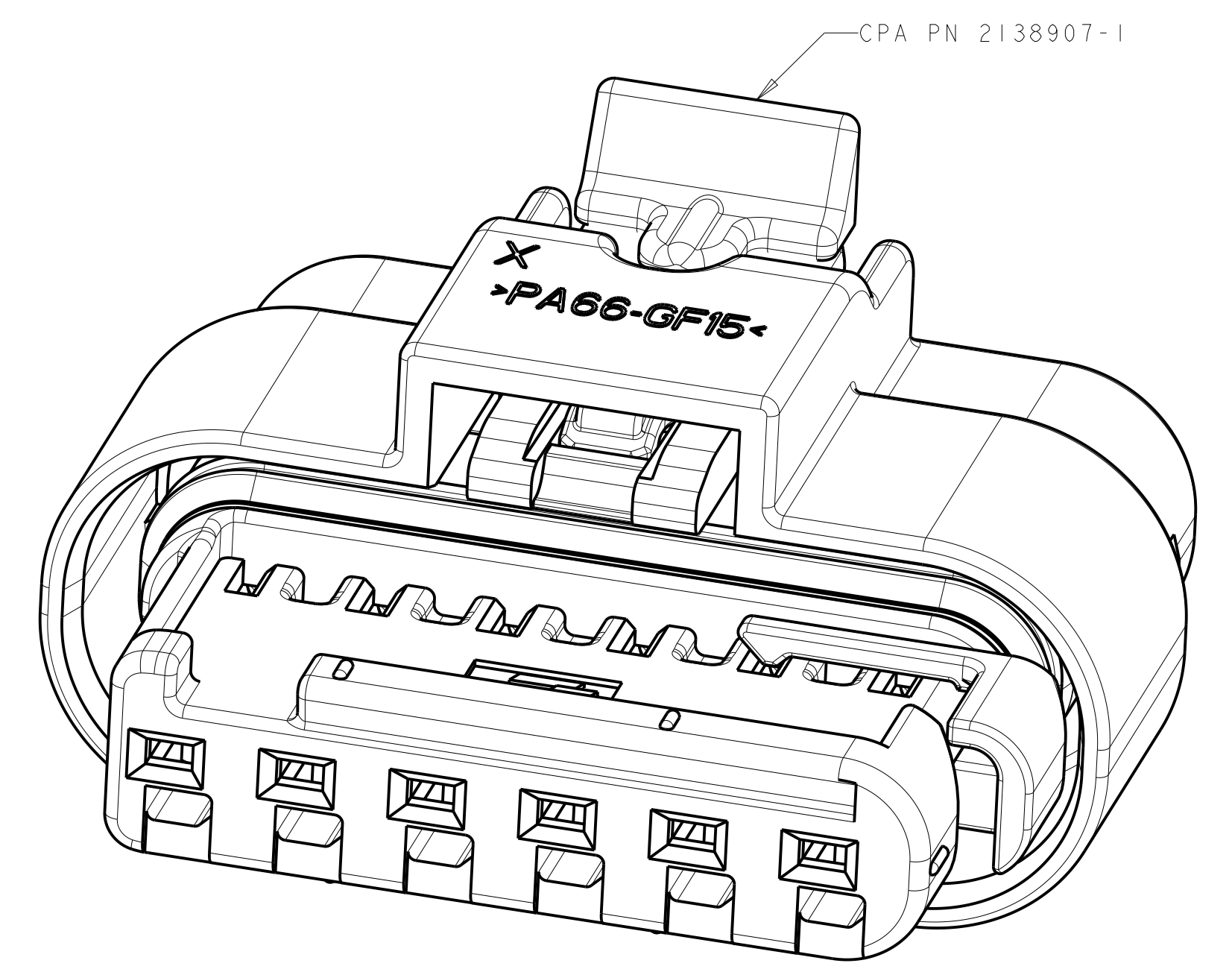
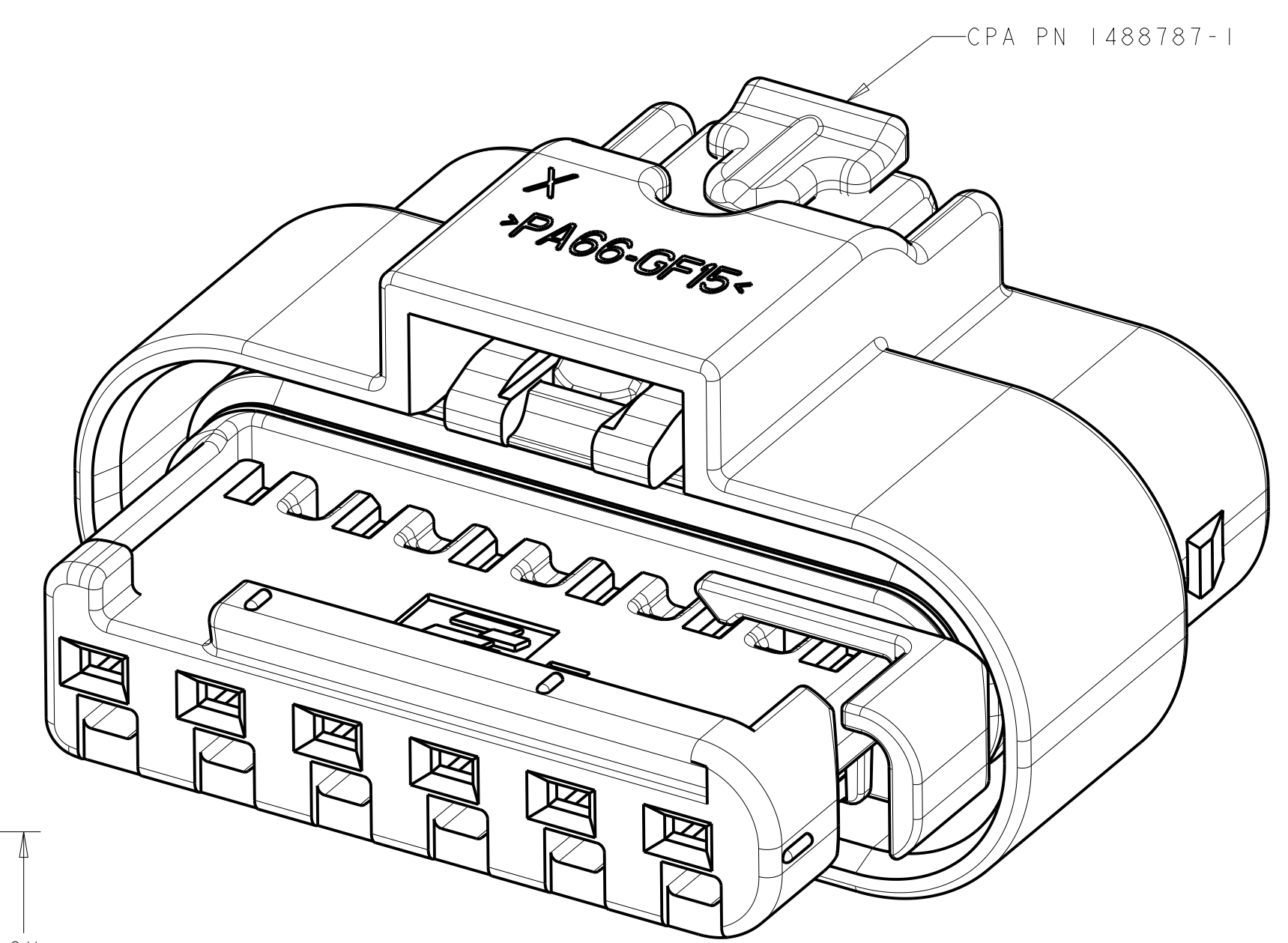
CONNECTOR ASSEMBLY, FEMALE, 6 POSITION, SEALED, 1.2mm MCON HIGH TEMP

WEIGHT: 5.53 grams

SCALE: 4:1

REVISIONS				
P.	LTN.	DESCRIPTION	DATE	APVD.
-	-	SEE SHEET 1	-	-

ISOMETRIC VIEWS



P/N 2098559-5 SHOWN  
SCALE 6:1

P/N 4-2098559-1 SHOWN  
SCALE 6:1

FEED THROUGH CONDITION

FEED THROUGH CONDITION

THIS DRAWING IS A CONTROLLED DOCUMENT.		DWN S. VINAY 07OCT2009 CHK B. BUCHTER 07OCT2009 APVD B. BUCHTER 07OCT2009		NAME CONNECTOR ASSEMBLY, FEMALE, 6 POSITION, SEALED, 1.2mm MCON HIGH TEMP	RESTRICTED TO
DIMENSIONS: mm 	TOLERANCES UNLESS OTHERWISE SPECIFIED: 0 PLC ± 1 PLC ±0.3 2 PLC ±0.10 3 PLC ± 4 PLC ± ANGLES ±°	PRODUCT SPEC APPLICATION SPEC SEE NOTES			
MATERIAL	FINISH	CUSTOMER DRAWING	SCALE 4:1	SHEET 2 OF 2	REV A4

## X-ON Electronics

Largest Supplier of Electrical and Electronic Components

*Click to view similar products for [Automotive Connectors](#) category:*

*Click to view products by [TE Connectivity](#) manufacturer:*

Other Similar products are found below :

[003-018-000](#) [60403001](#) [60993906-B](#) [M902-2131](#) [M902-2161](#) [72.330.1035.1](#) [73.353.4028.0](#) [F119300-B](#) [F166900](#) [F258300-B](#) [F358300-B](#)  
[F407400](#) [F444110](#) [F487000](#) [F509500B-B](#) [827153-1](#) [8N1515-32-24P](#) [9-1326729-8](#) [925474-1](#) [928905-1](#) [964562-4](#) [968782-1](#) [GT17SA-8DS-](#)  
[HU](#) [98891-1012](#) [98947-1016](#) [12004147](#) [12004475-L](#) [12010290](#) [12010309-B](#) [12015454](#) [12020219-B](#) [12020308](#) [12041318-B](#) [12052225-L](#)  
[12052466](#) [12059125](#) [12064869](#) [12004327-B](#) [12010503-B](#) [12015308](#) [12015384](#) [12015909](#) [1-21030-1](#) [12041254](#) [12041318](#) [12047946-B](#)  
[12047957](#) [12047957-L](#) [12059473](#) [12066261](#)