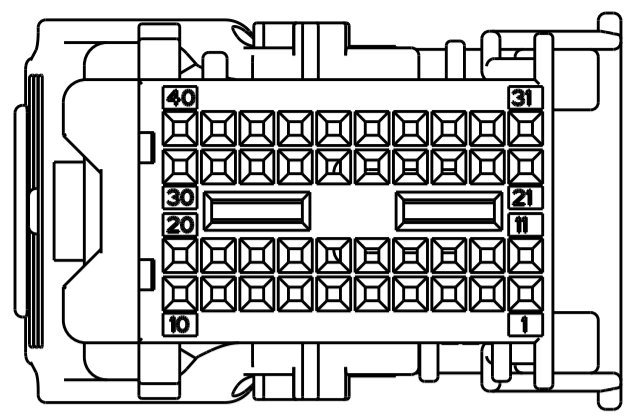
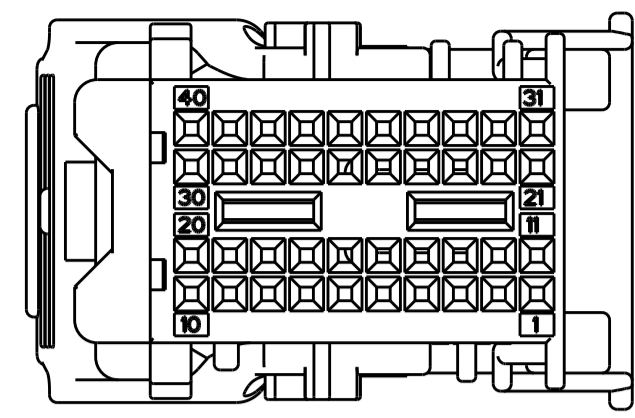


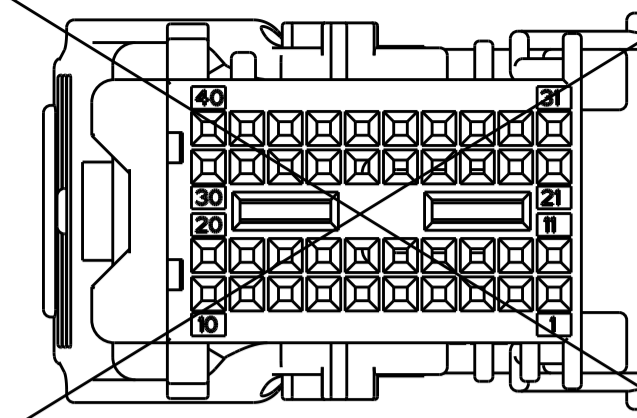
KEYING OPTION, SCALE: 2:1



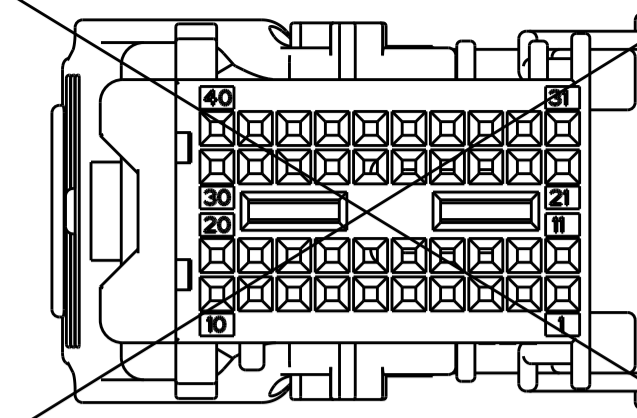
ASSY P/N: 2098633-1  
KEYING: A



ASSY P/N: 2098633-2  
KEYING: B

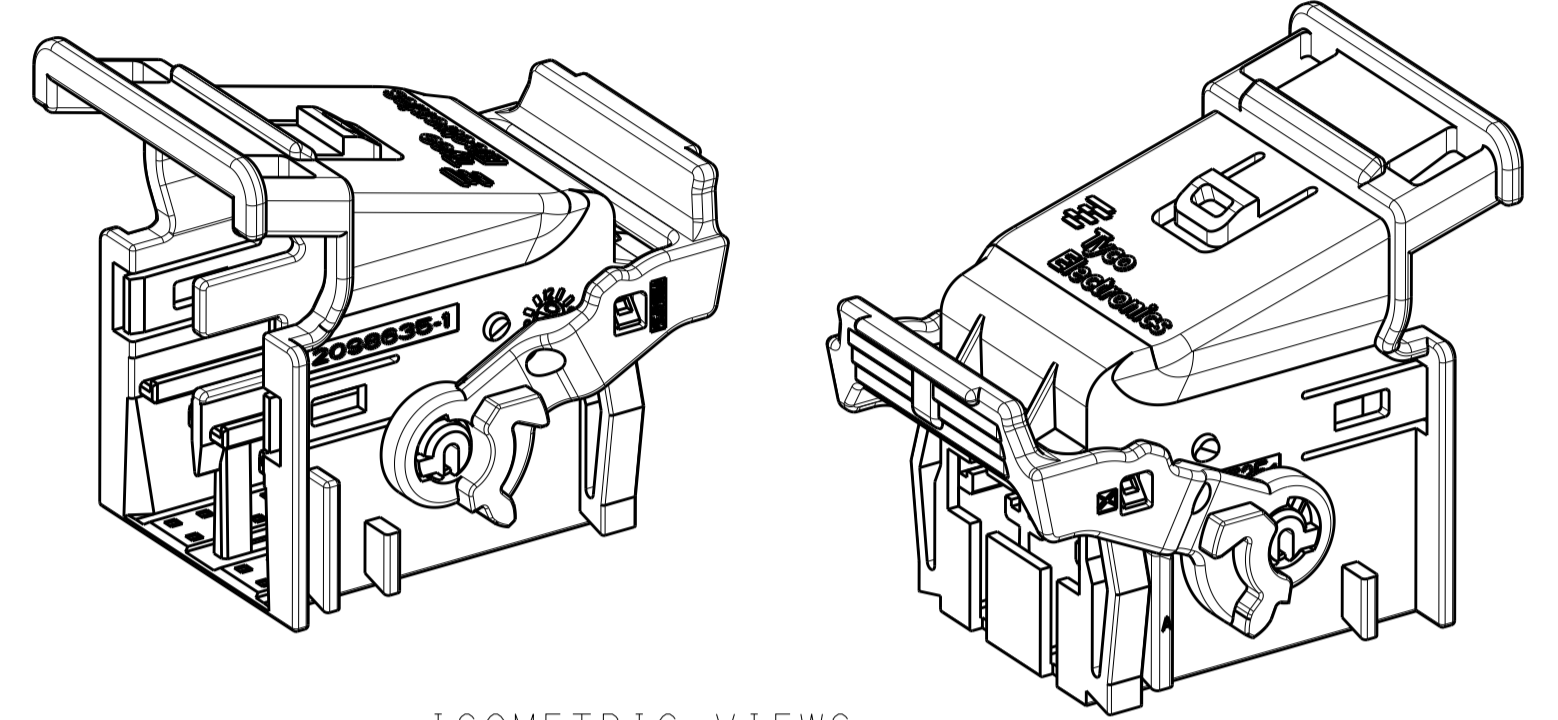
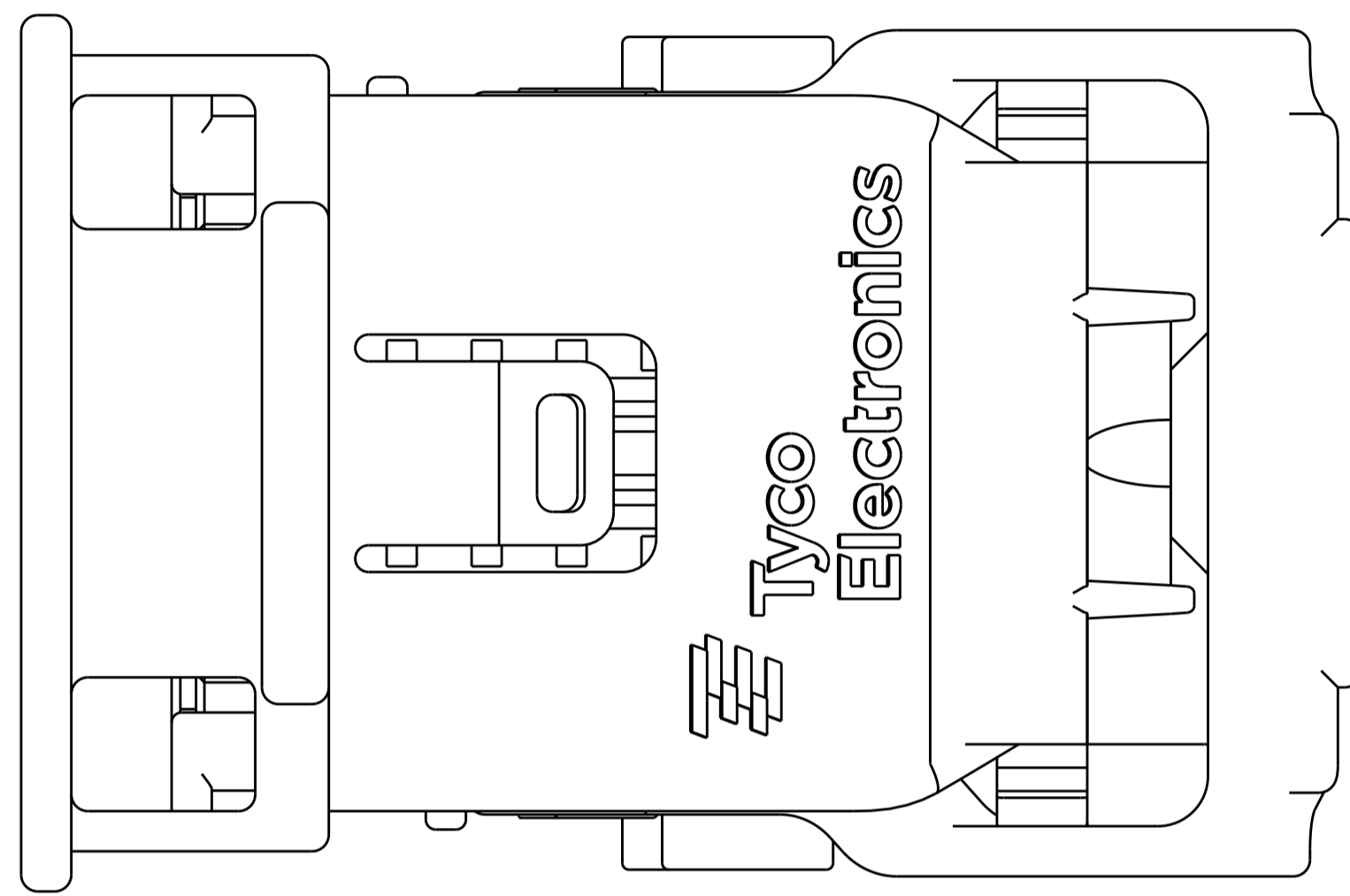


ASSY P/N: 2098633-3  
KEYING: C

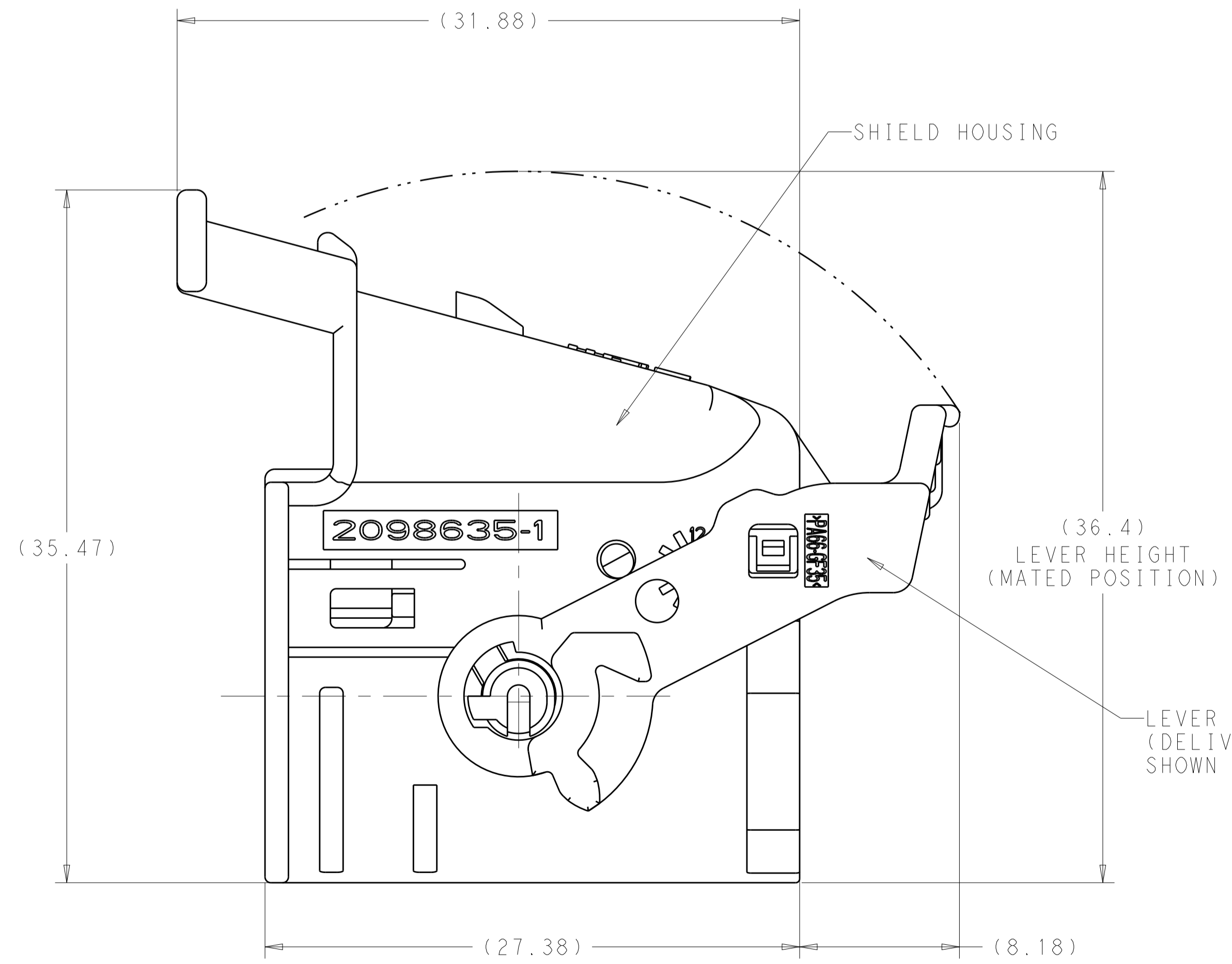
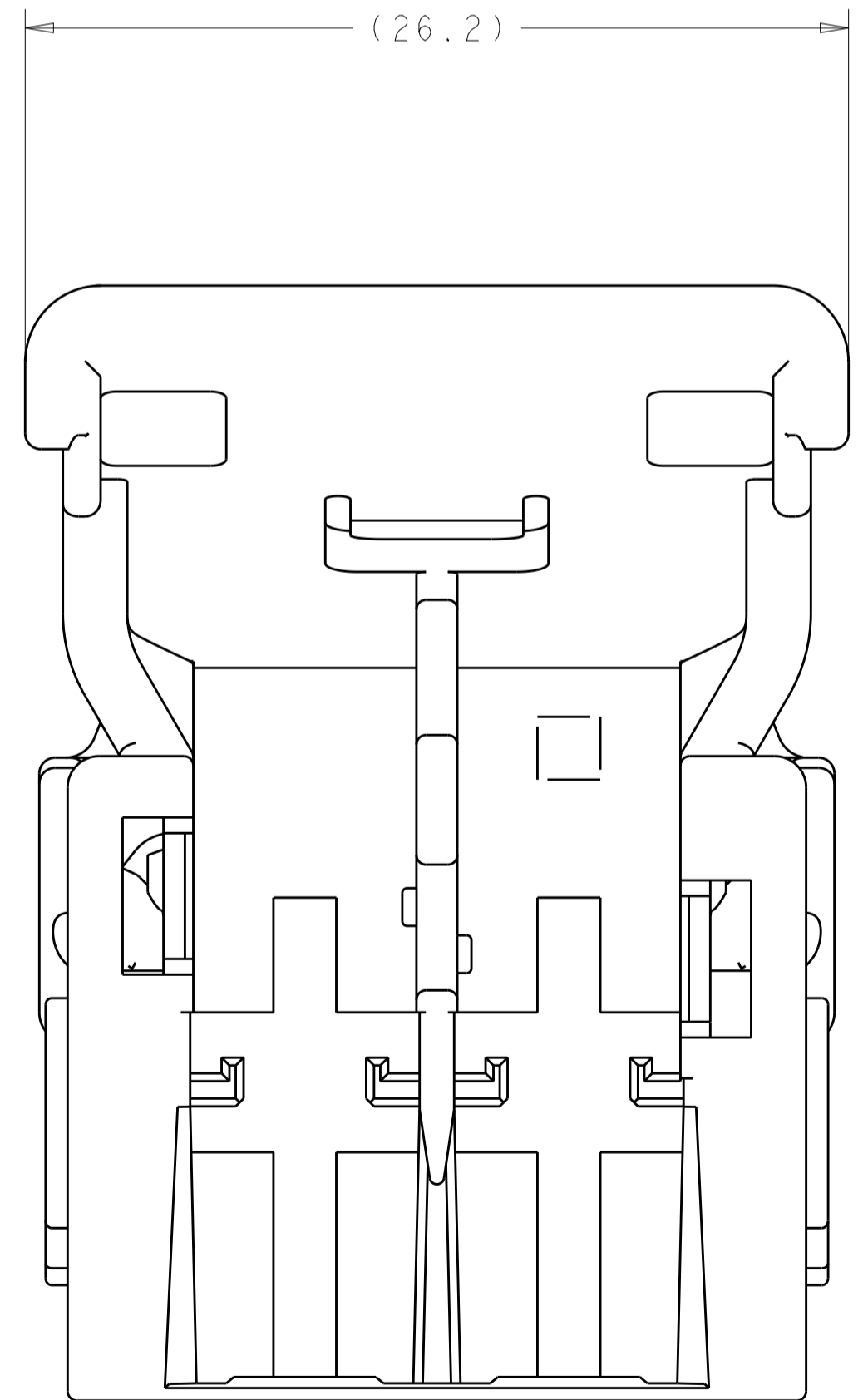


ASSY P/N: 2098633-4  
KEYING: D

| REVISIONS |      |                           |           |      |       |
|-----------|------|---------------------------|-----------|------|-------|
| P.        | LTN. | DESCRIPTION               | DATE      | DMN. | APVD. |
| A         |      | REVISED PER ECR-12-010595 | 11JUN2012 | MBH  | RH    |
| B         |      | REVISED PER ECO-15-011566 | 15SEP2015 | DLD  | CJS   |
| B1        |      | REVISED PER ECO-18-014182 | 11SEP2018 | JMS  | CS    |



ISOMETRIC VIEWS  
SCALE 2:1



- ▲ MATERIAL: SHIELD - 35% GLASS REINFORCED NYLON.  
SEE TABLE BELOW FOR COLOR.  
LEVER - 35% GLASS REINFORCED NYLON.  
COLOR: DARK GRAY.
- 2. REFERENCE: CARRIER 2098634-1 AND 2098634-2  
USED WITH THIS ASSEMBLY.
- 3. REFERENCE: INTERFACE DETAIL PER TE DRAWING NO 2098633-MXCU.

|       |             |             |
|-------|-------------|-------------|
| BLACK | D           | 2098633-4   |
| BLUE  | C           | 2098633-3   |
| GRAY  | B           | 2098633-2   |
| BLACK | A           | 2098633-1   |
| COLOR | KEYING OPT. | PART NUMBER |

|  |  |                          |   |
|--|--|--------------------------|---|
| THIS DRAWING IS A CONTROLLED DOCUMENT. |  | DMN: S. VINAY 22MAR2010  |   |
| DIMENSIONS: mm                         |  | CHK: M. GALEN 22MAR2010  |   |
| TOLERANCES UNLESS OTHERWISE SPECIFIED: |  | APVD: M. GALEN 22MAR2010 | NAME: SHIELD ASSEMBLY, 40 POSITION GENERATION Y LAC |
| 0 PLC ±                                |  | PRODUCT SPEC             | SIZE: CAGE CODE DRAWING NO                          |
| 1 PLC ±                                |  | APPLICATION SPEC         | RESTRICTED TO                                       |
| 2 PLC ±                                |  | WEIGHT                   | A100779C=2098633                                    |
| 3 PLC ±                                |  | CUSTOMER DRAWING         | SCALE 5:1 SHEET 1 OF 1 REV B1                       |
| 4 PLC ±                                |  |                          |   |
| ANGLES ±1°                             |  |                          |   |
| FINISH                                 |  |                          |   |

## X-ON Electronics

Largest Supplier of Electrical and Electronic Components

*Click to view similar products for [Automotive Connectors](#) category:*

*Click to view products by [TE Connectivity](#) manufacturer:*

Other Similar products are found below :

[003-018-000](#) [60403001](#) [60993906-B](#) [M902-2131](#) [M902-2161](#) [M902-2344](#) [72.330.1035.1](#) [73.353.4028.0](#) [F119300-B](#) [F166900](#) [F258300-B](#)  
[F358300-B](#) [F407400](#) [F444110](#) [F487000](#) [F509500B-B](#) [827153-1](#) [8N1515-32-24P](#) [9-1326729-8](#) [925474-1](#) [928905-1](#) [964562-4](#) [968782-1](#)  
[GT17SA-8DS-HU](#) [98891-1012](#) [98947-1016](#) [12004147](#) [12004475-L](#) [12010290](#) [12010309-B](#) [12015454](#) [12020219-B](#) [12041318-B](#) [12052225-](#)  
[L](#) [12052466](#) [12064869](#) [12004327-B](#) [12015308](#) [12015384](#) [12015909](#) [1-21030-1](#) [12041254](#) [12041318](#) [12047946-B](#) [12047957](#) [12047957-L](#)  
[12059473](#) [12066261](#) [12110546](#) [12110546-B](#)