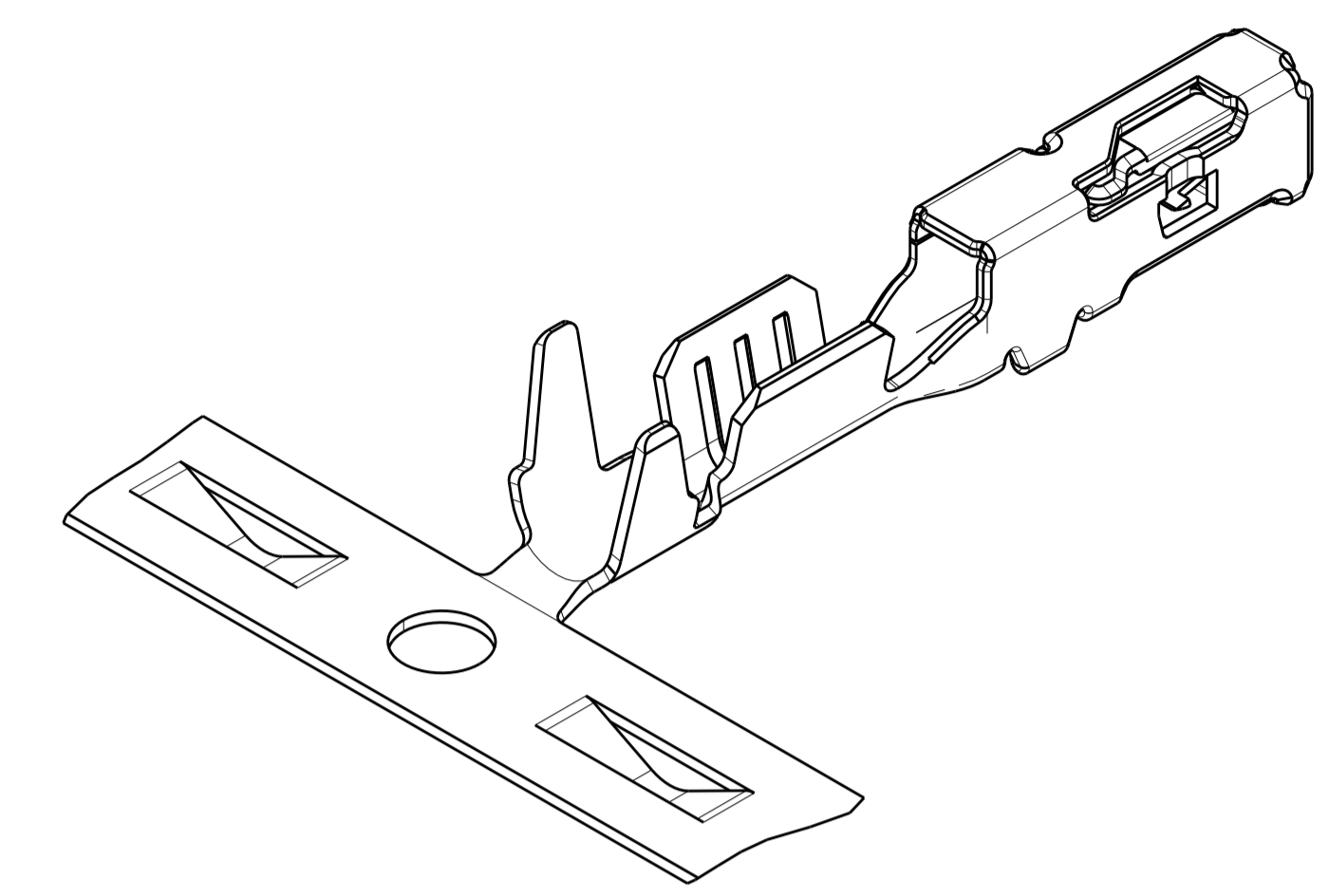
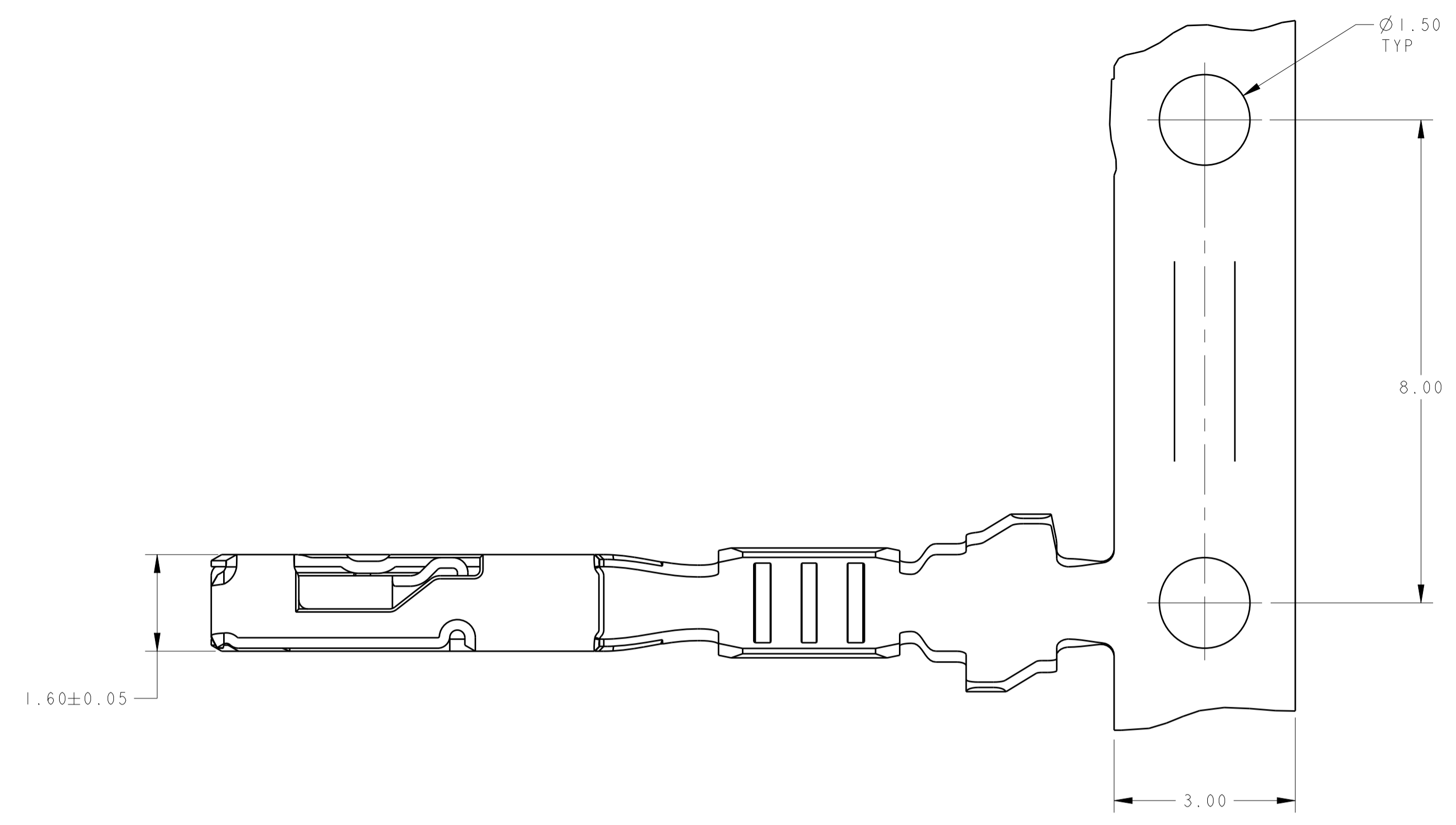
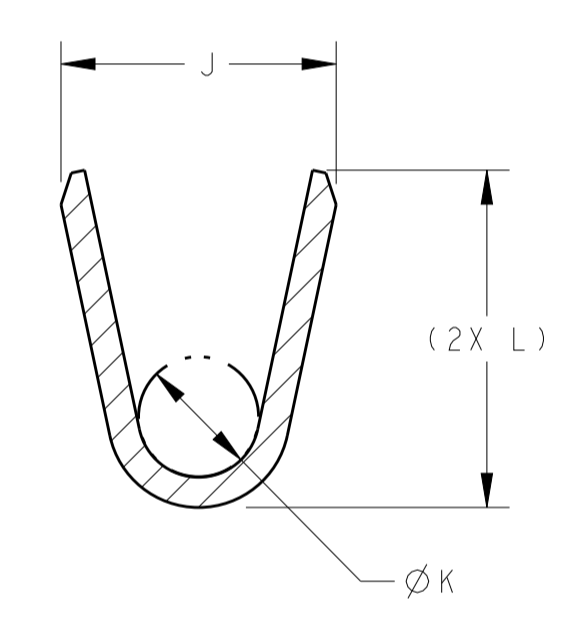
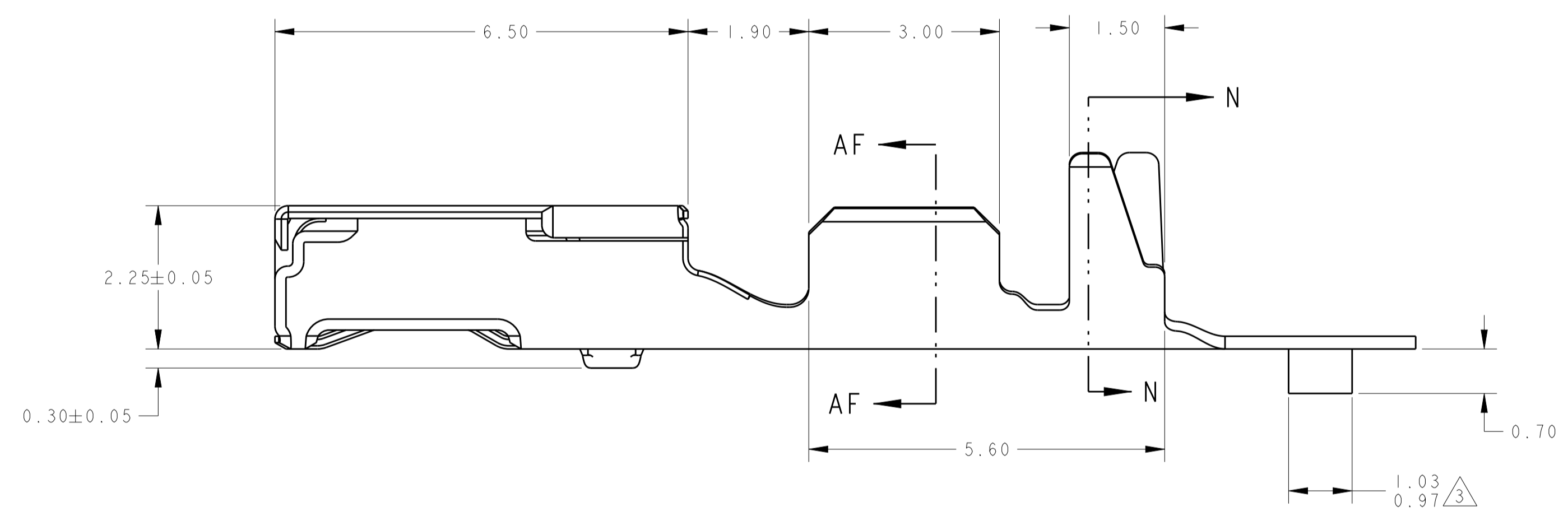


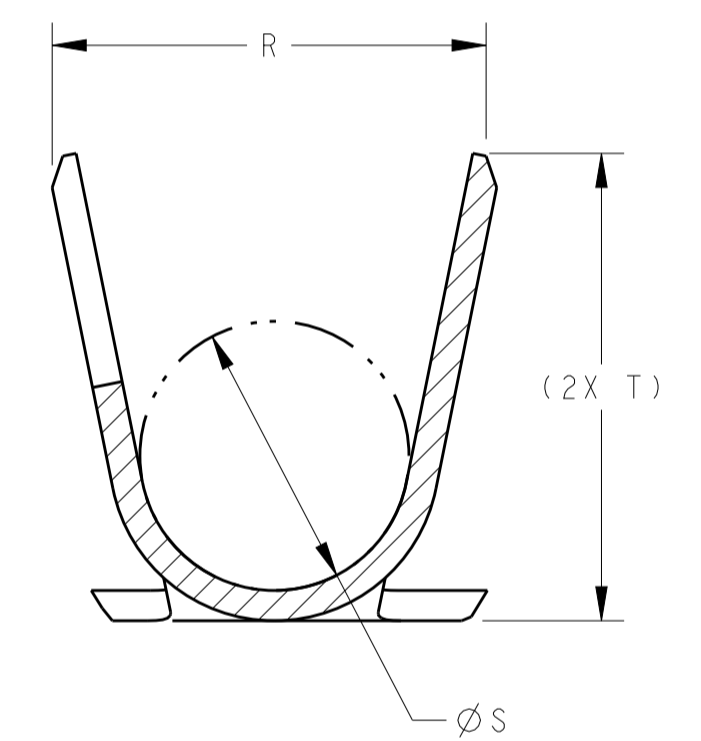
REVISIONS				
P.	LTN	DESCRIPTION	DATE	DWN APVD
B		REVISED PER ECR-16-005516	25APR2016	DD CS



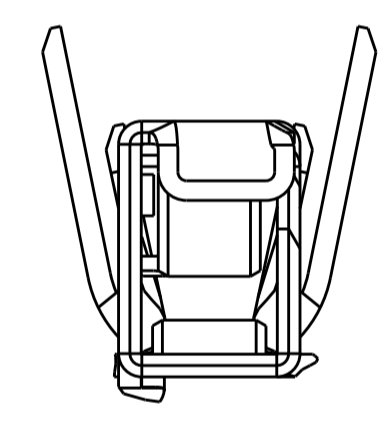
ISOMETRIC VIEW
SCALE 10:1



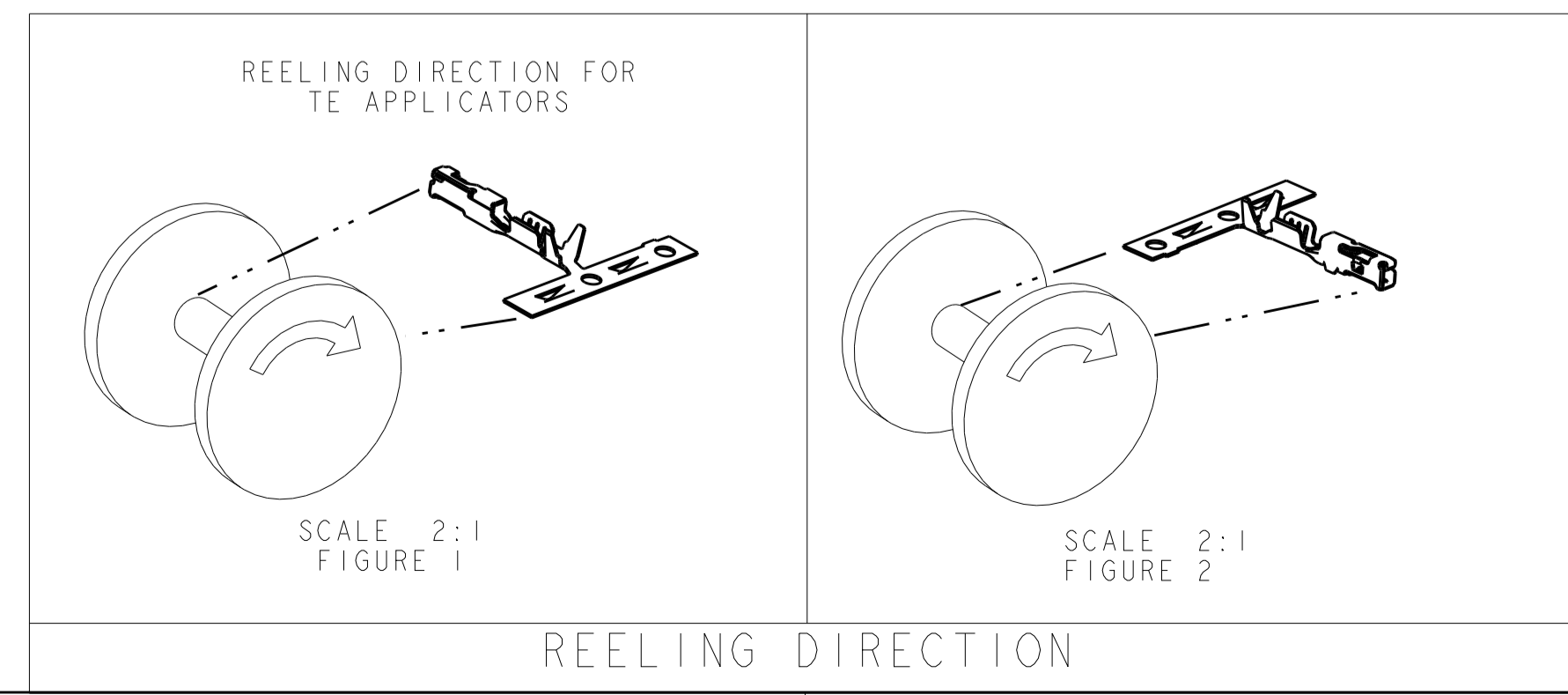
SECTION AF-AF
SCALE 20:1



SECTION N-N
SCALE 20:1



- 1 MATERIAL: 0.2mm THICK CuNiSi ALLOY
- 2 FINISH: PRE-PLATED WITH 1.00µm MIN BRIGHT TIN
- 3 MATERIAL ID FEATURE IN "DOWN" POSITION
- 4 THIS PRODUCT DESIGNED TO COMPLY WITH USCAR-2, REVISION 5 TEMP CLASS 3, MOUNTED TO ENGINE VIBRATION PROFILE
- 5 THIS PRODUCT IS DESIGNED TO BE COMPATIBLE WITH SEALED APPLICATIONS.
- 6 NORMAL FORCE 240 GRAMS REFERENCE.
- 7 TERMINAL HAS NYE LUBRICANTS NYETACT 568J-50-UV PERFORMANCE LUBE/GREASE APPLIED. THIS IS A WHITISH COLORED LUBE. AMOUNT AND VISIBILITY MAY VARY.
- 8 NOT INTENDED FOR SEALED APPLICATIONS.
- 9 SEALING CAPABILITY MUST BE EVALUATED ON AN APPLICATION BASIS.



INSULATION DIAMETER	T	S	R	L	K	J	REELING DIRECTION	WIRE SIZE	PART NUMBER	
1.10-1.40	2.38	1.40	2.40	1.70	0.80	1.85	FIGURE 2	0.35	22	2098762-8
0.85-1.05	2.09	0.85	1.82	1.46	0.65	1.50	FIGURE 2	0.13	26	2098762-7
2.06 MAX	3.09	1.78	2.94	2.43	1.00	1.96	FIGURE 2	0.75	18	2098762-6
1.50-1.85	3.09	1.78	2.94	2.23	0.80	1.82	FIGURE 2	0.35-0.50	20-22	2098762-5
1.10-1.40	2.38	1.40	2.40	1.70	0.80	1.85	FIGURE 1	0.35	22	2098762-4
0.85-1.05	2.09	0.85	1.82	1.46	0.65	1.50	FIGURE 1	0.13	26	2098762-3
2.06 MAX	3.09	1.78	2.94	2.43	1.00	1.96	FIGURE 1	0.75	18	2098762-2
1.50-1.85	3.09	1.78	2.94	2.23	0.80	1.82	FIGURE 1	0.35-0.50	20-22	2098762-1

THIS DRAWING IS A CONTROLLED DOCUMENT. DWN F KINSEY 04FEB2010
 CHK F KINSEY 04FEB2010
 APVD C SCHMID 04FEB2010

STE TE Connectivity

CONTACT, FEMALE, 0.64mm
 CuNiSi, BOTTOM ORIENTATION
 Sn PLATE

SIZE CAGE CODE DRAWING NO RESTRICTED TO
 114-13183 A100779C=2098762

MATERIAL FINISH WEIGHT CUSTOMER DRAWING SCALE 15:1 SHEET 1 OF 1 REV B

X-ON Electronics

Largest Supplier of Electrical and Electronic Components

Click to view similar products for [Automotive Connectors](#) category:

Click to view products by [TE Connectivity](#) manufacturer:

Other Similar products are found below :

[003-018-000](#) [60403001](#) [60993906-B](#) [M902-2131](#) [M902-2161](#) [M902-2344](#) [72.330.1035.1](#) [73.353.4028.0](#) [F119300-B](#) [F166900](#) [F258300-B](#)
[F358300-B](#) [F407400](#) [F444110](#) [F487000](#) [F509500B-B](#) [827153-1](#) [8N1515-32-24P](#) [9-1326729-8](#) [925474-1](#) [928905-1](#) [964562-4](#) [968782-1](#)
[GT17SA-8DS-HU](#) [98891-1012](#) [98947-1016](#) [12004147](#) [12004475-L](#) [12010290](#) [12015454](#) [12020219-B](#) [12041318-B](#) [12052225-L](#) [12052466](#)
[12064869](#) [12004327-B](#) [12015308](#) [12015384](#) [12015909](#) [1-21030-1](#) [12041254](#) [12041318](#) [12047946-B](#) [12047957](#) [12047957-L](#) [12059473](#)
[12066261](#) [12110546](#) [12110546-B](#) [12131792](#)