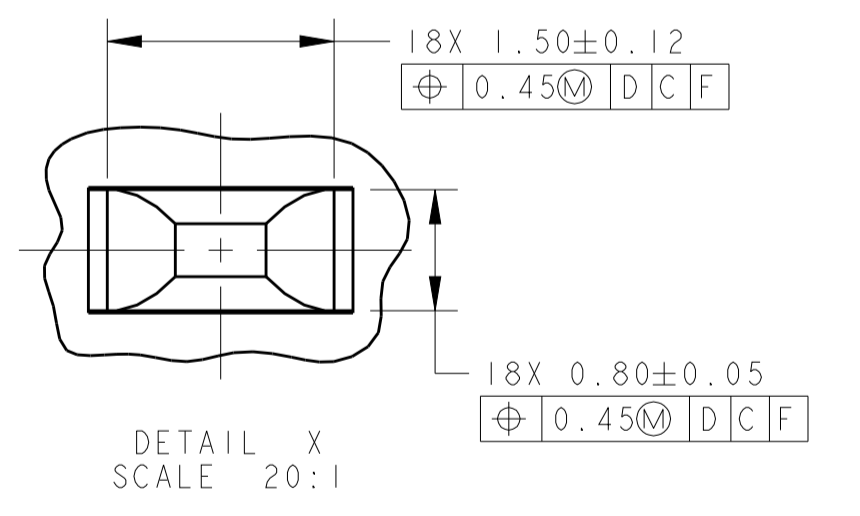
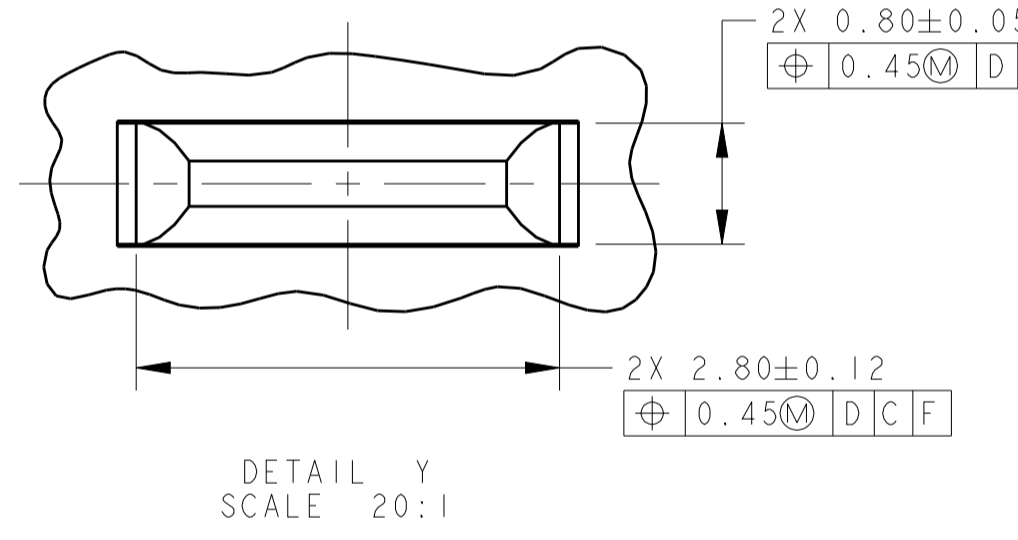
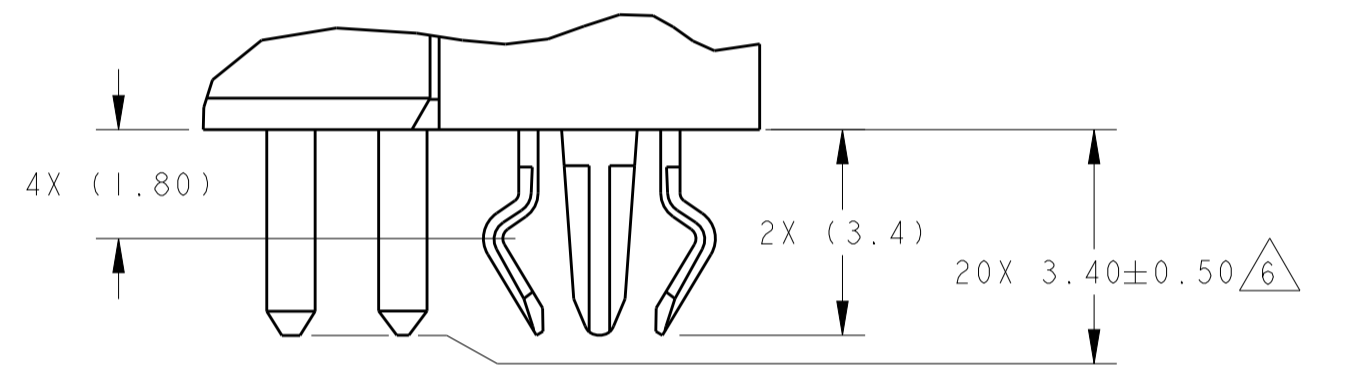
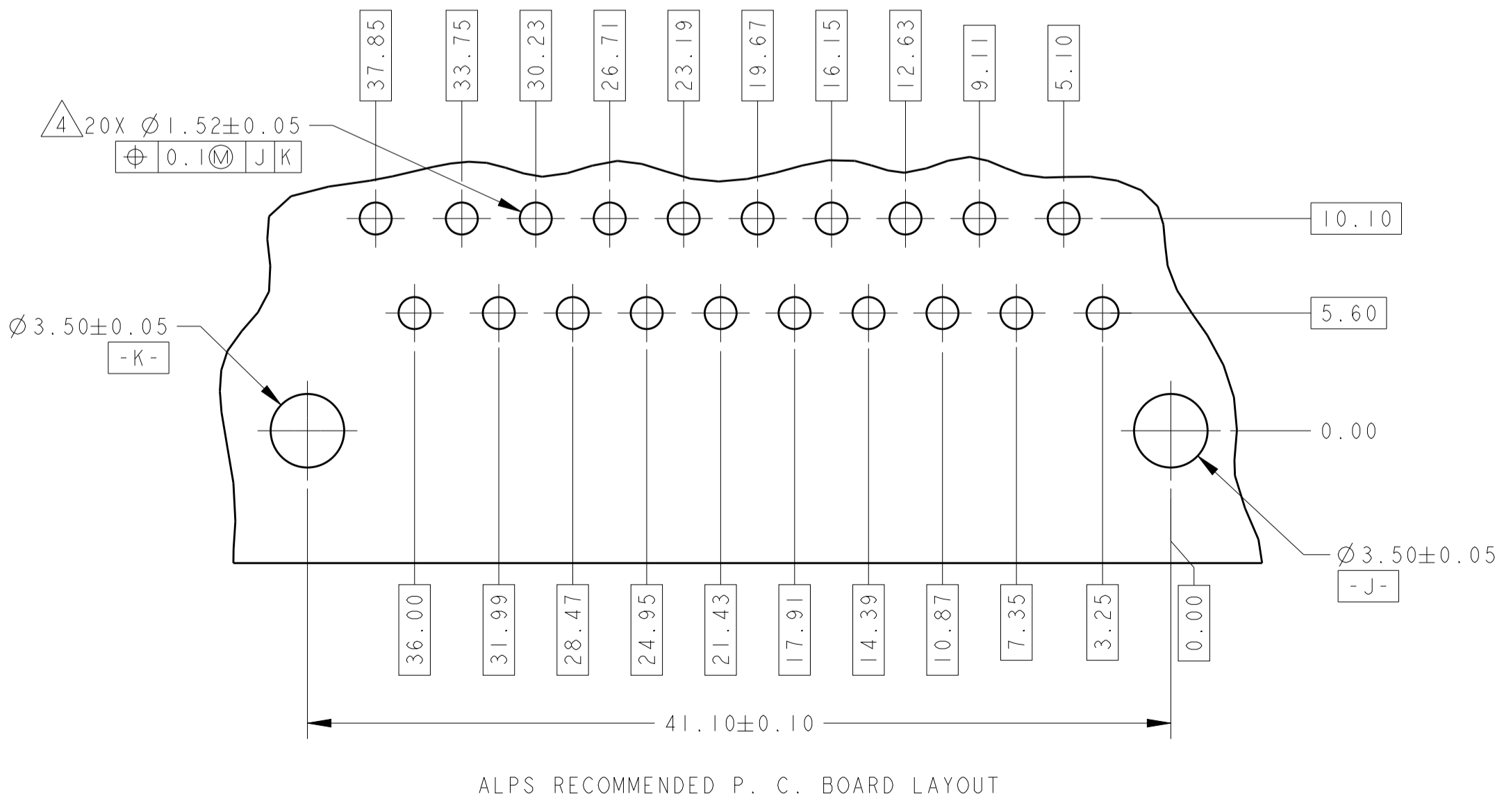
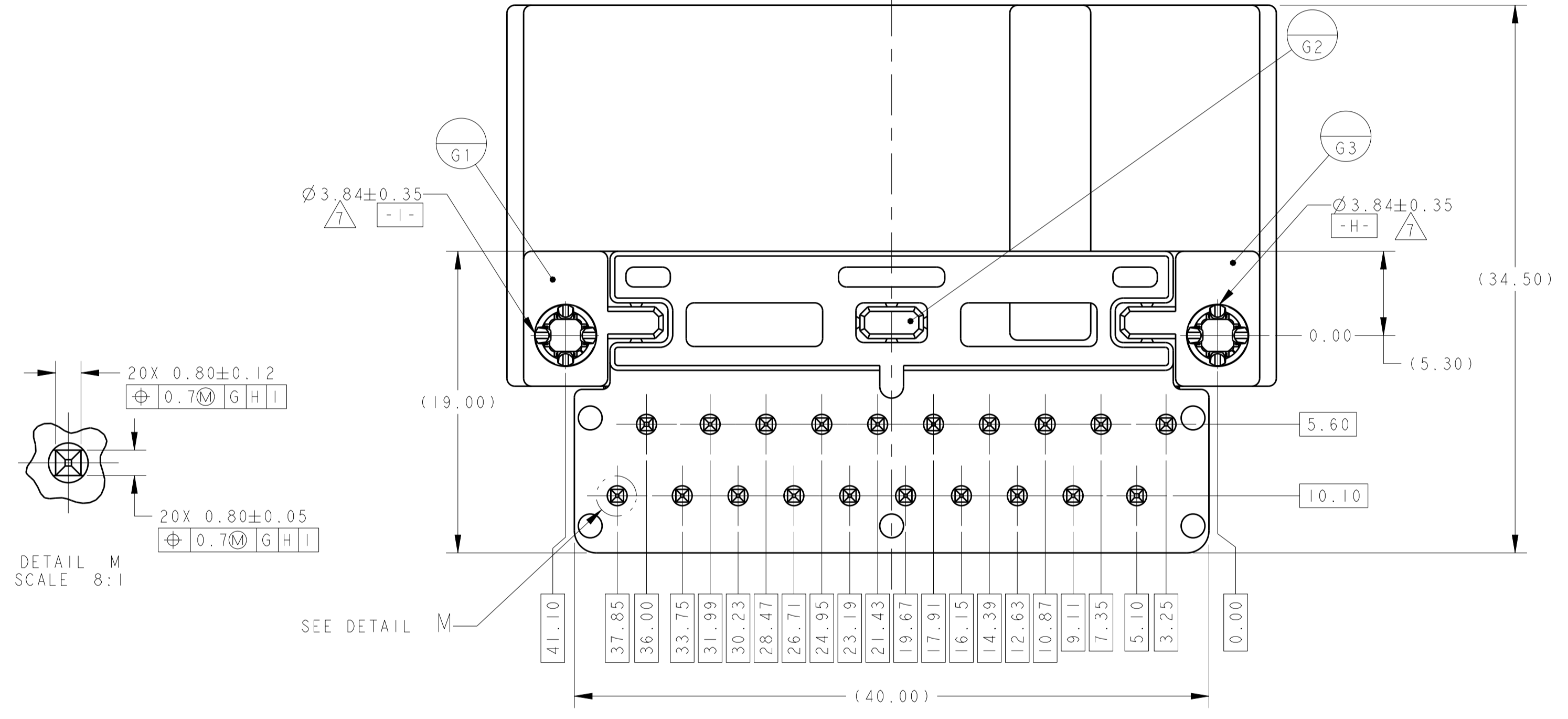
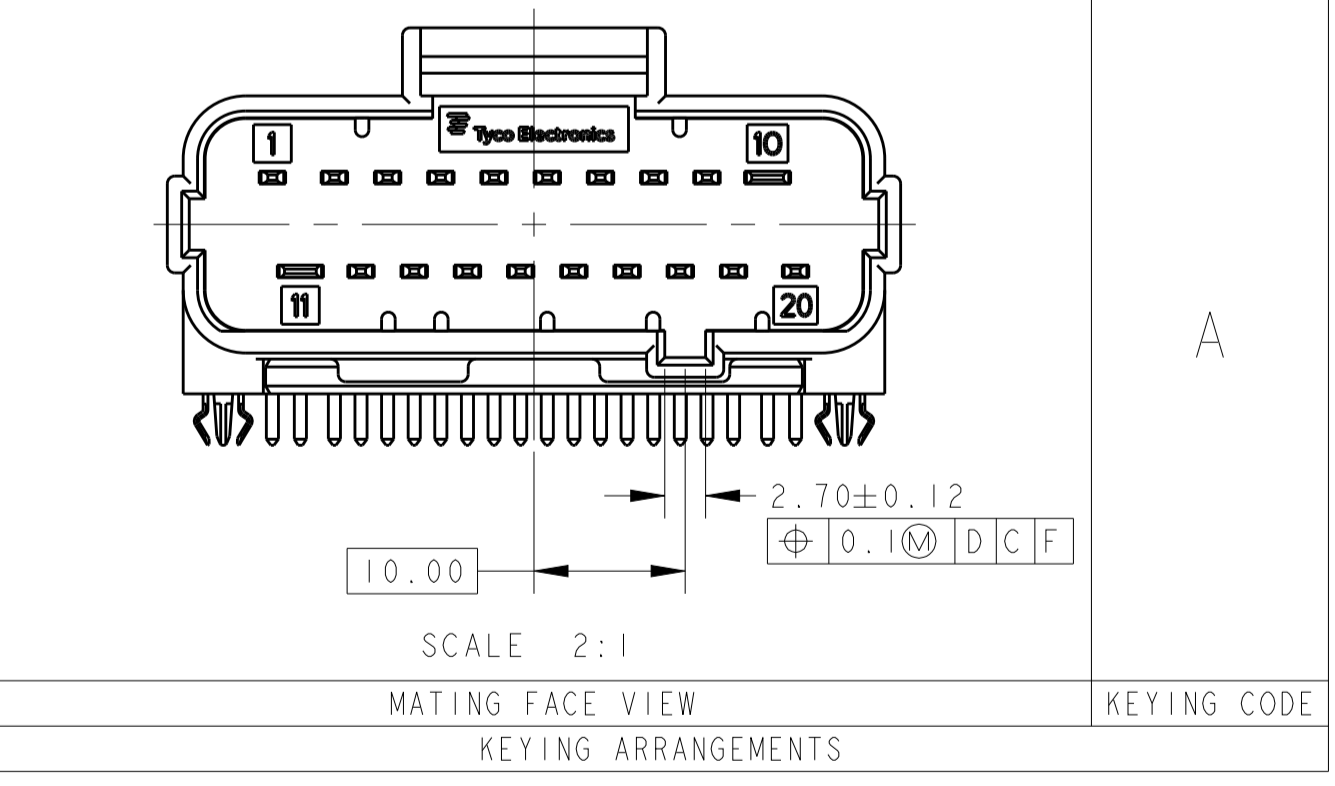
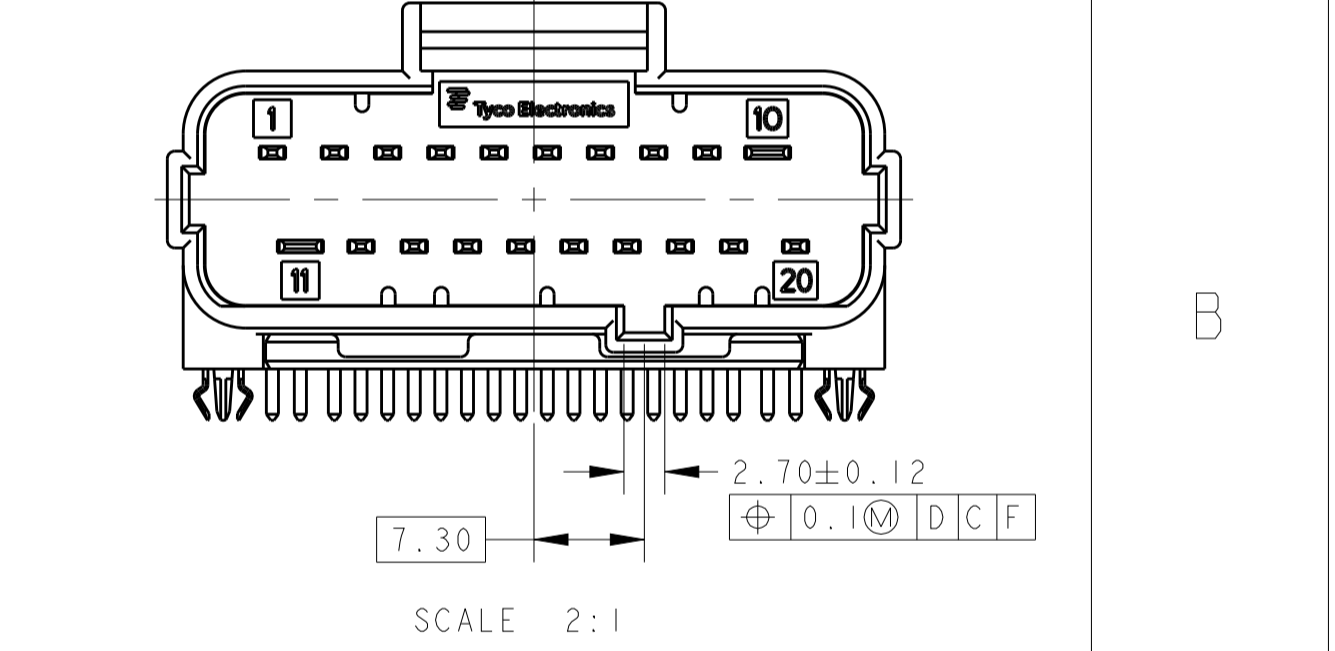
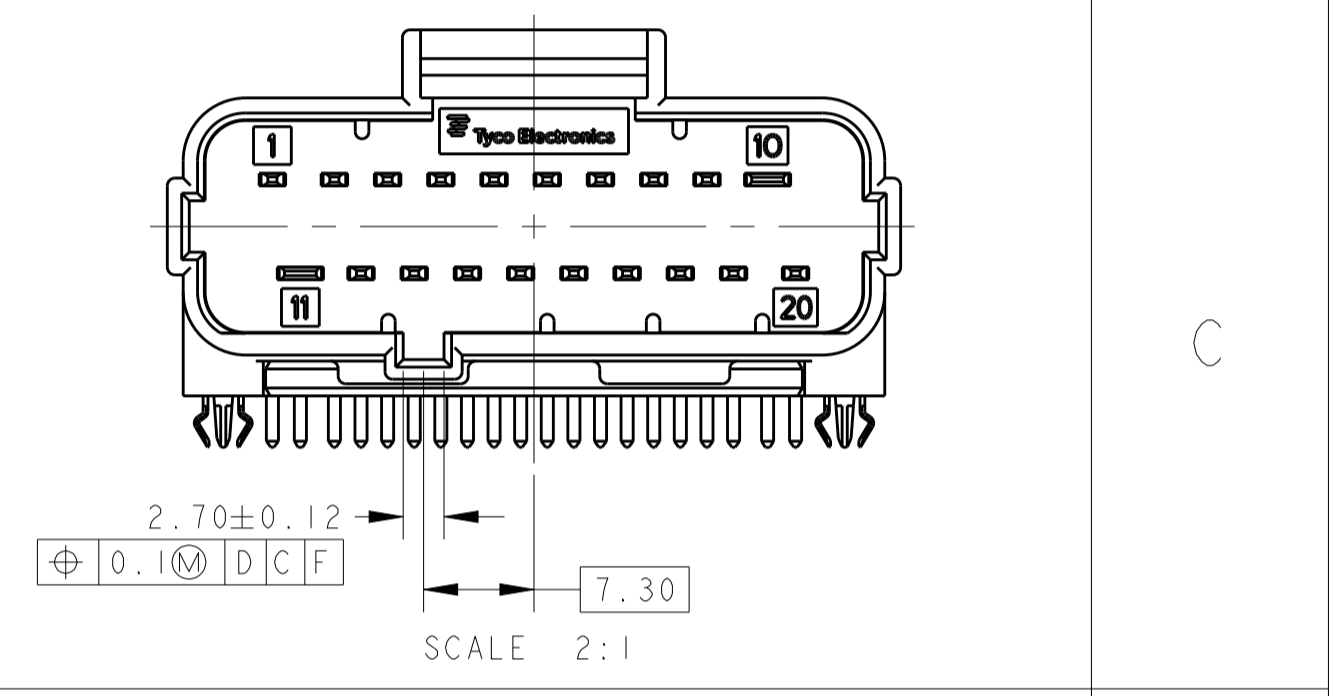
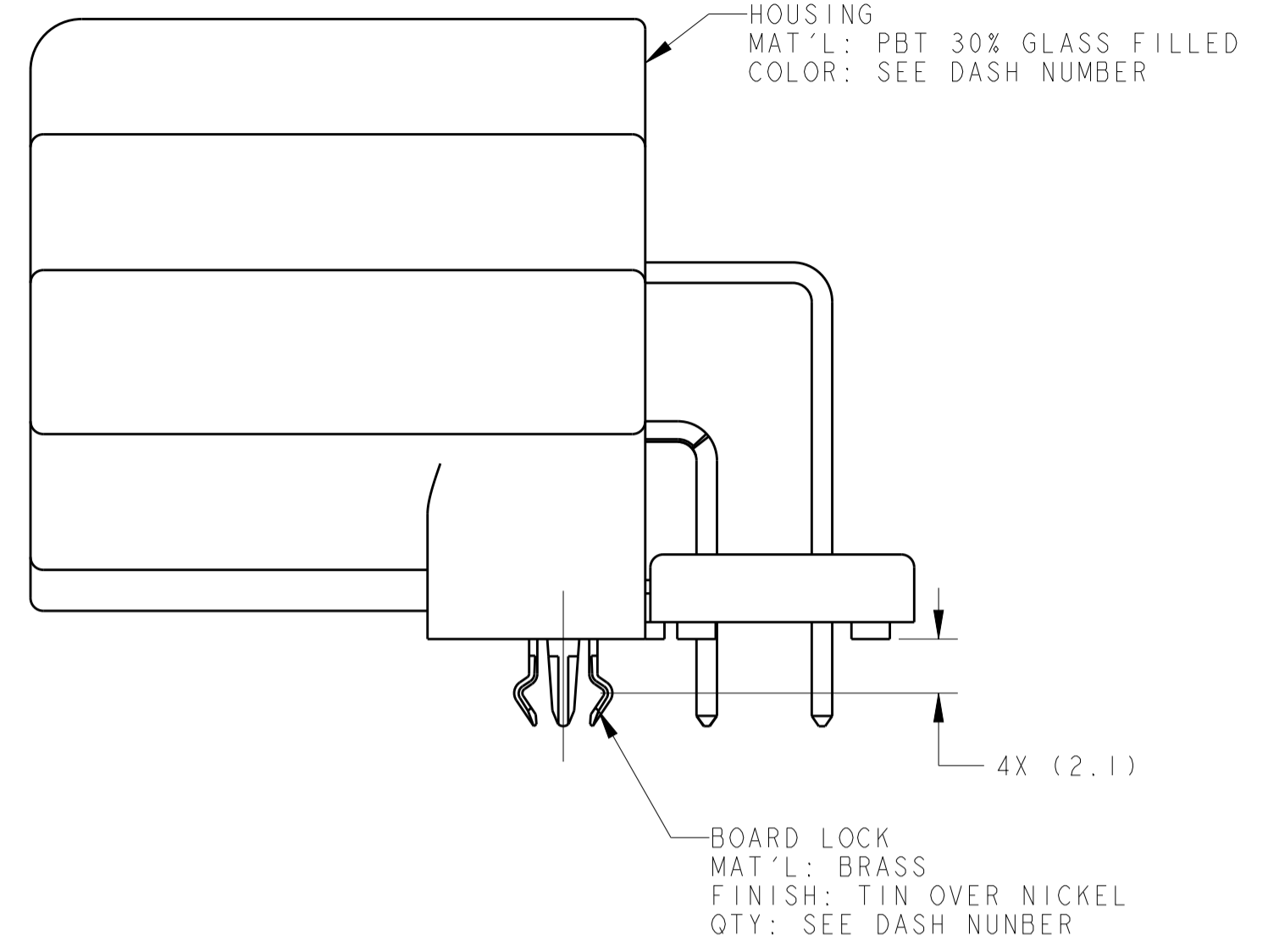
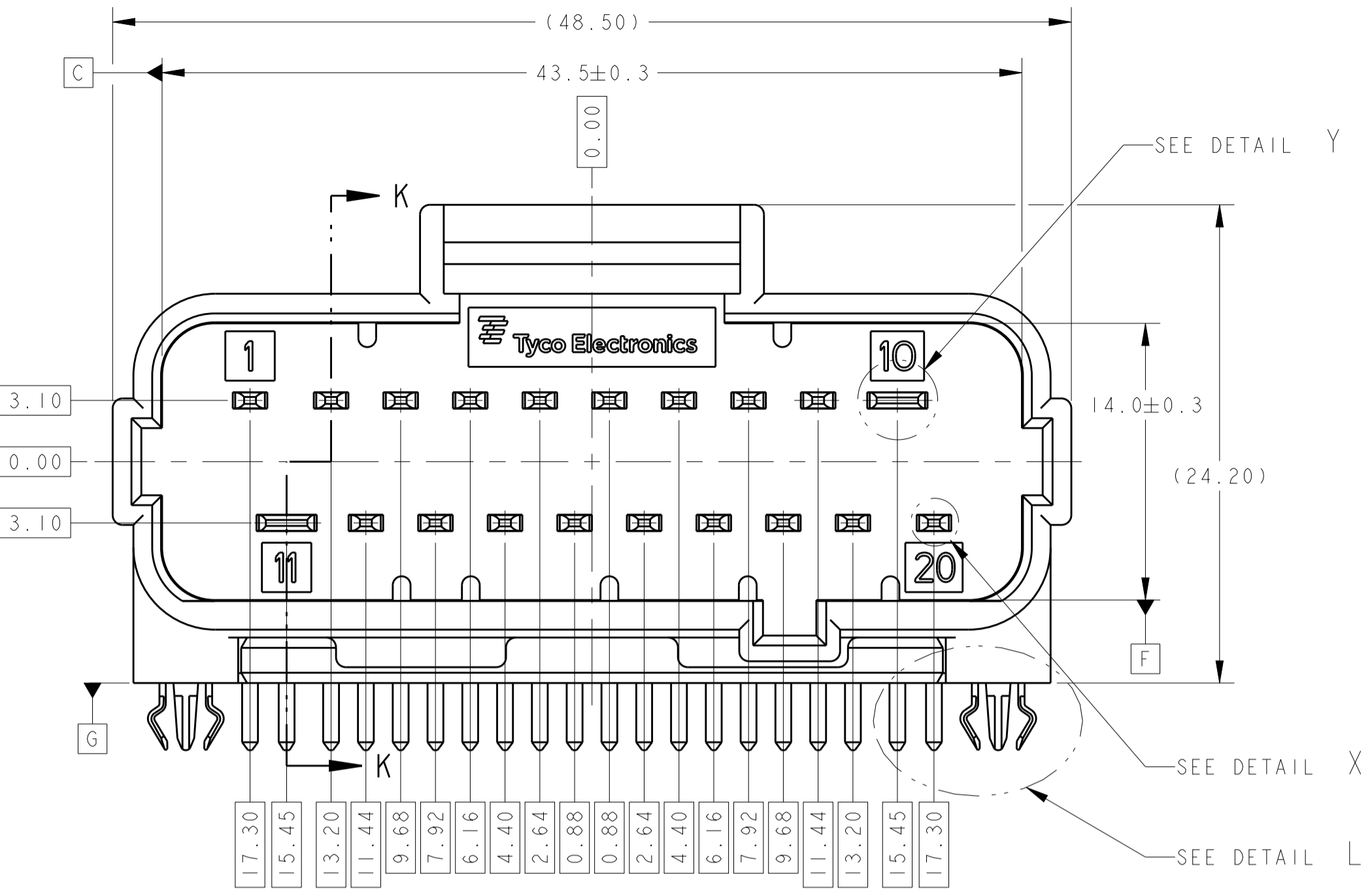
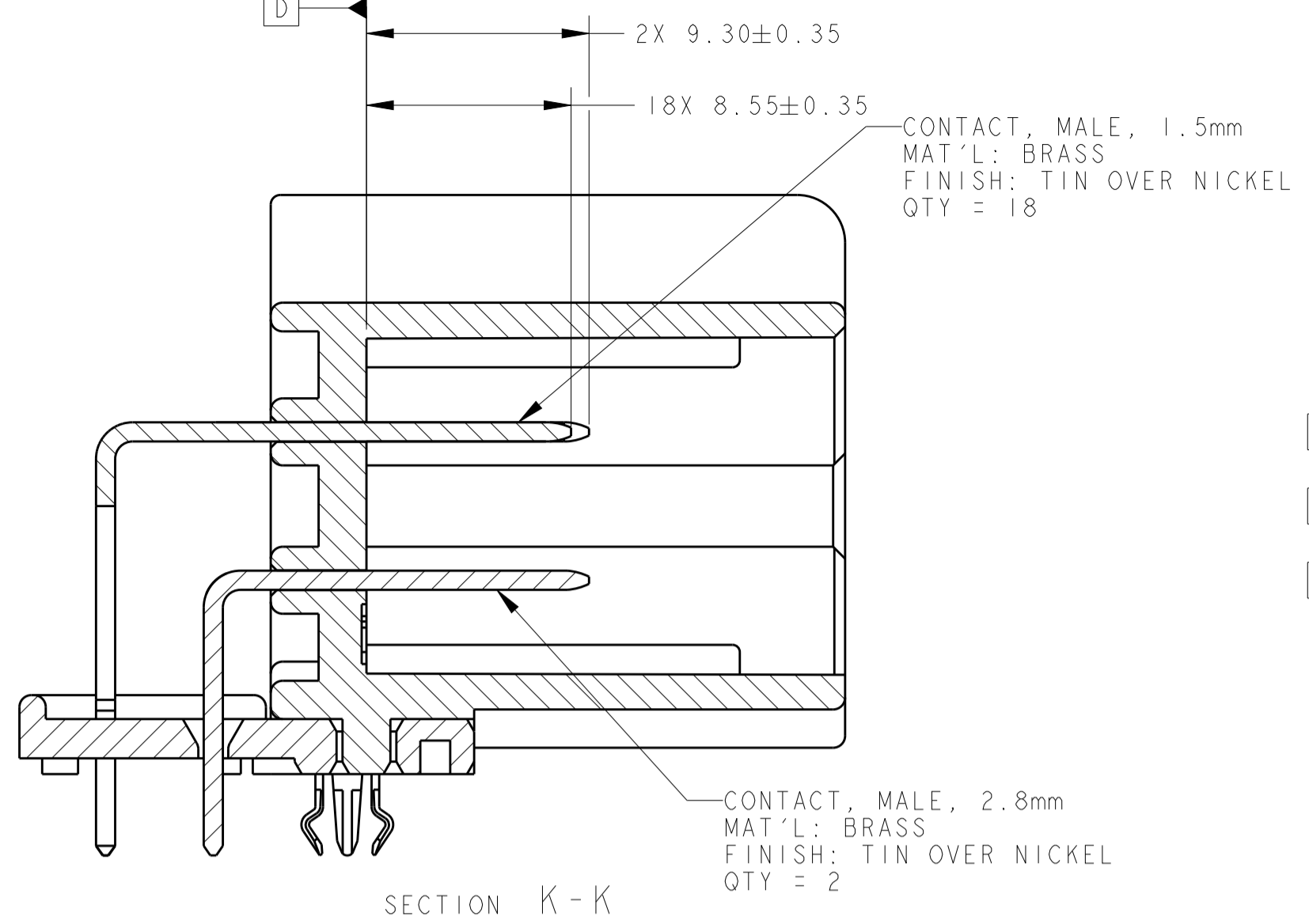


REVISIONS				
P.	LTN.	DESCRIPTION	DATE	OWN APVD
A5		REVISED PER ECR-12-015385	28AUG2012	SR BB
A6		REVISED PER ECO-14-003725	12MAR2014	DLD SLM



- 2 BOARD LOCKS SUPPLIED LOCATED AS SHOWN.
- THIS HEADER MATES WITH TE CONNECTIVITY PLUG, DRAWING NUMBER 2098377.
- NOTE DELETED.
- DRILLED HOLE DIA, PLUS 0.051±0.025 COPPER PLATING (MAX HARDNESS 150 KNOOP), PLUS 0.0008 MIN TIN PLATING = (1.52±0.05) FINISHED HOLE DIA.
- TEST VALUES DURING 2012 RELEASE OUTSIDE USCAR-2 Rev5 REQUIREMENTS
A.) POLARIZATION FEATURE EFFECTIVENESS (FEMALE CONNECTOR UN-LOADED)
-HEADER A TO PLUG B 99.92N Min
-HEADER A TO PLUG C 33.63N Min
-HEADER A TO PLUG A 180° INCORRECT ORIENTATION 158.84N MIN
B.) CONNECTOR TO CONNECTOR MATING FORCE MAX=88.2N, MIN=73.2N, AVE=79.9N
C.) CONNECTOR TO CONNECTOR UN-MATING FORCE MAX=81.6N, MIN=73.2N, AVE=78.2N
- MEASURED FROM SOLDERTAIL TIP TO DATUM G.
- MEASURED FROM OUTER MOST DIAMETER OF METAL BOARD LOCK.

NATURAL	NOT SUPPLIED	C	2098835-6
GRAY	NOT SUPPLIED	B	2098835-5
BLACK	NOT SUPPLIED	A	2098835-4
NATURAL		C	2098835-3
GRAY		B	2098835-2
BLACK		A	2098835-1
COLOR	BOARD LOCK	KEYING CODE	PART NUMBER

THIS DRAWING IS A CONTROLLED DOCUMENT. DWG: J.R. SHUEY 02MAR2010, CHK: B.S. BUCHTER 02MAR2010, APVD: -

DIMENSIONS: mm. TOLERANCES UNLESS OTHERWISE SPECIFIED: 0 PLC ±, 1 PLC ±, 2 PLC ±, 3 PLC ±, 4 PLC ±, ANGLES ±.

MATERIAL: SEE CALLOUT. FINISH: SEE CALLOUT.

PRODUCT SPEC: 108-32025. APPLICATION SPEC: -.

WEIGHT: -. CUSTOMER DRAWING: -.

NAME: HEADER ASSEMBLY, UNSEALED HYBRID (18) 1.5mm, (2) 2.8mm CONTACTS.

SIZE: A1. CAGE CODE: 100779. DRAWING NO: 2098835. RESTRICTED TO: -.

SCALE: 4:1. SHEET: 1 OF 1. REV: A6.

X-ON Electronics

Largest Supplier of Electrical and Electronic Components

Click to view similar products for te connectivity manufacturer:

Other Similar products are found below :

[570416-000](#) [CLTEQ-M81CE-SSRELAY-4-20V](#) [4-1633138-8](#) [D38999/24FJ4AN](#) [4-1195131-0](#) [650069-000](#) [SMD100-2](#) [2EDL4CM](#)
[DTS20W19-11PD-3028](#) [DTS20W19-11PD-3028-LC](#) [DTS20W19-32SD-3028-LC](#) [DTS20W19-32SD-3028](#) [NC6-P104-06](#) [TXR64AB90-](#)
[3616AI](#) [DTS26F21-41HE](#) [DTS26F21-41AE](#) [DTS26F21-41PE-LC](#) [DTS26F21-11SE-3028-LC](#) [D38999/24WF32JE](#) [D38999/24WF32SE-LC](#)
[DTS24W19-32HE](#) [D38999/20JB35HA](#) [D38999/24WJ20PA](#) [164-8033-08](#) [D38999/24FF32JE](#) [D38999/24FF32SE-LC](#) [D38999/24WF32JB](#)
[D38999/24WG11HA](#) [D38999/24WG11HN](#) [MS27467T21F11H](#) [DJT16E21-11HA](#) [DTS24F19-32HE](#) [DTS20W19-32SA-3028-LC](#) [DTS24F19-](#)
[11SC-3028-LC](#) [DTS24F19-11SC-3028](#) [DJT14E13-98HB](#) [D38999/20WC8BB](#) [1-330599-5](#) [DTS24F21-41HN-LC](#) [DTS24F21-41HN](#)
[DTS24F21-41AN](#) [DTS24F21-39HN](#) [DTS24F21-41PN-LC](#) [AFD50-10-6SN-1A-LC](#) [DJT10F17-26HC](#) [DTS24W19-32HB](#) [ACT20JE99HA](#)
[DJT10E17-26HC](#) [DJT10E17-26HN](#) [DJT10F17-26HA](#)