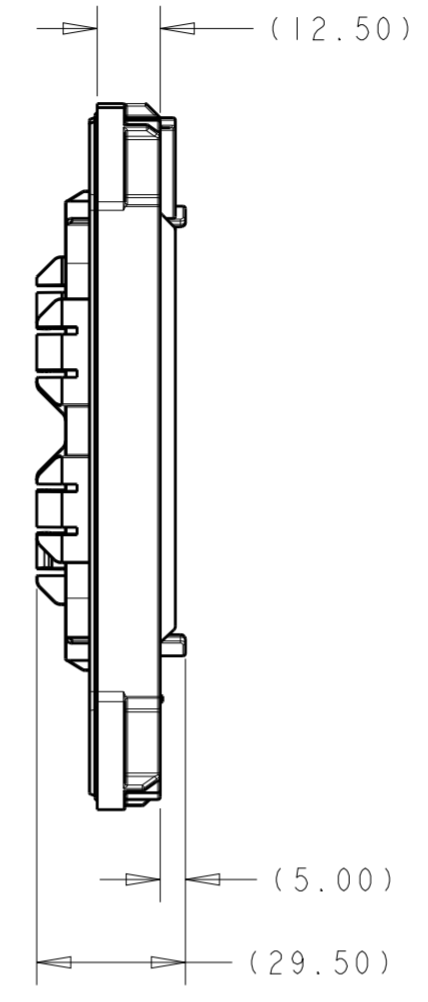
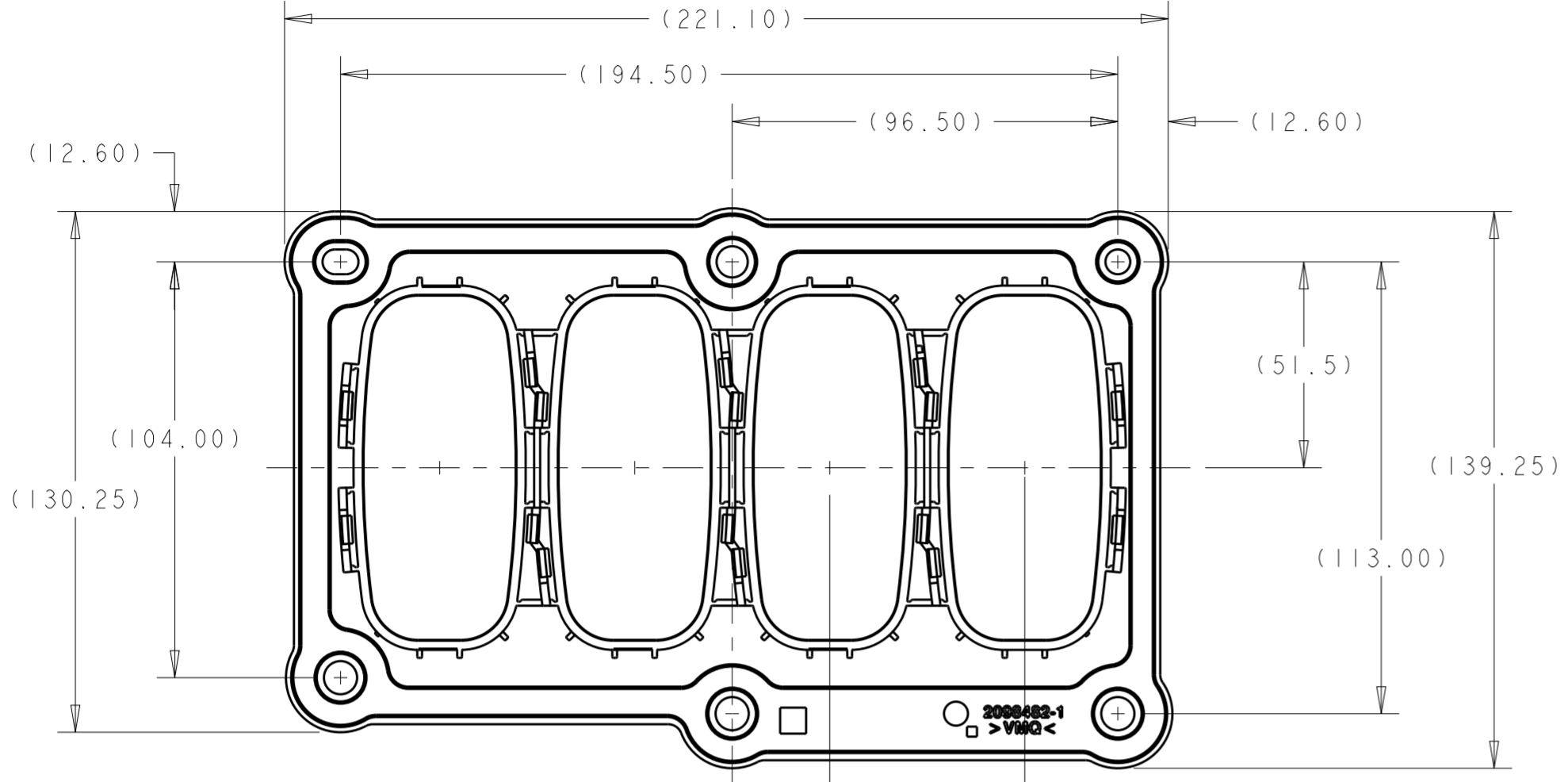
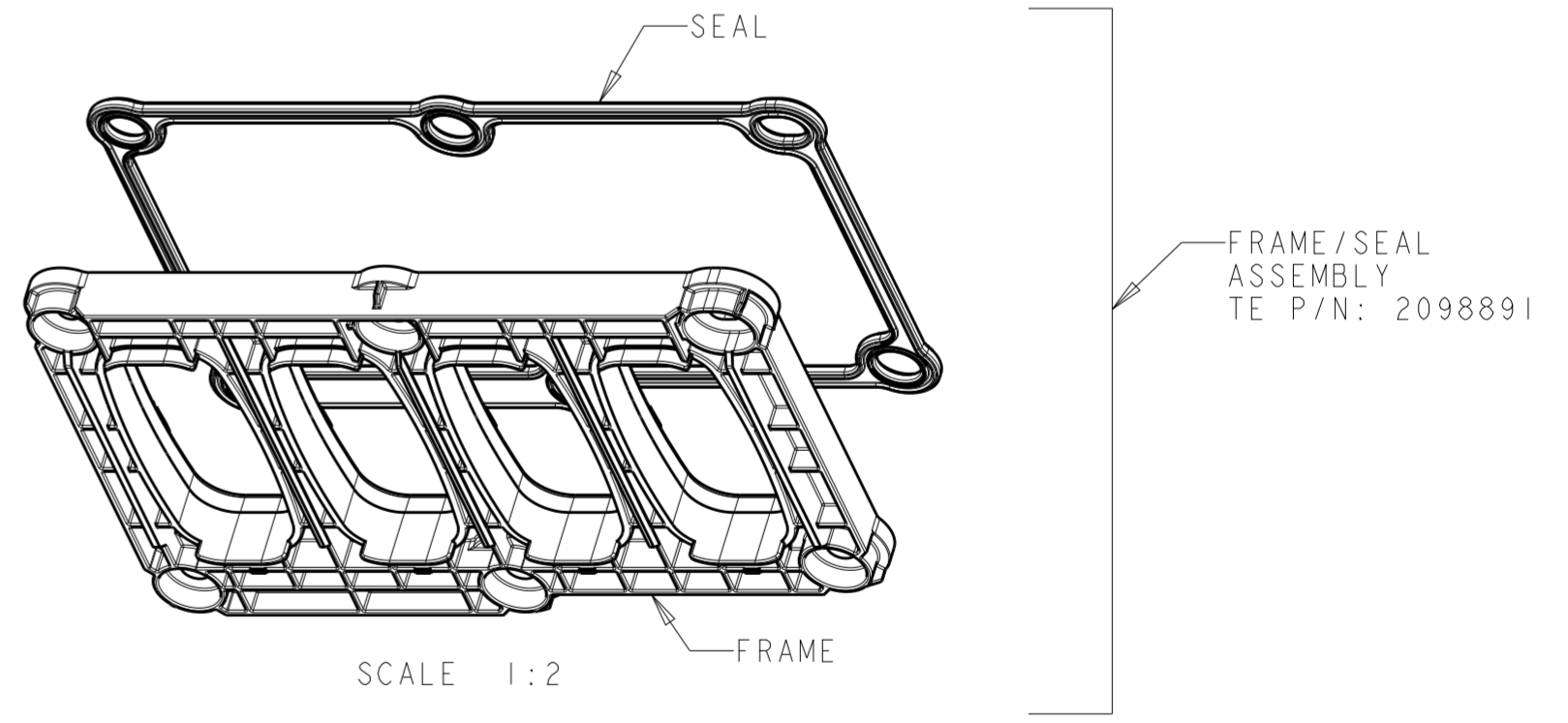
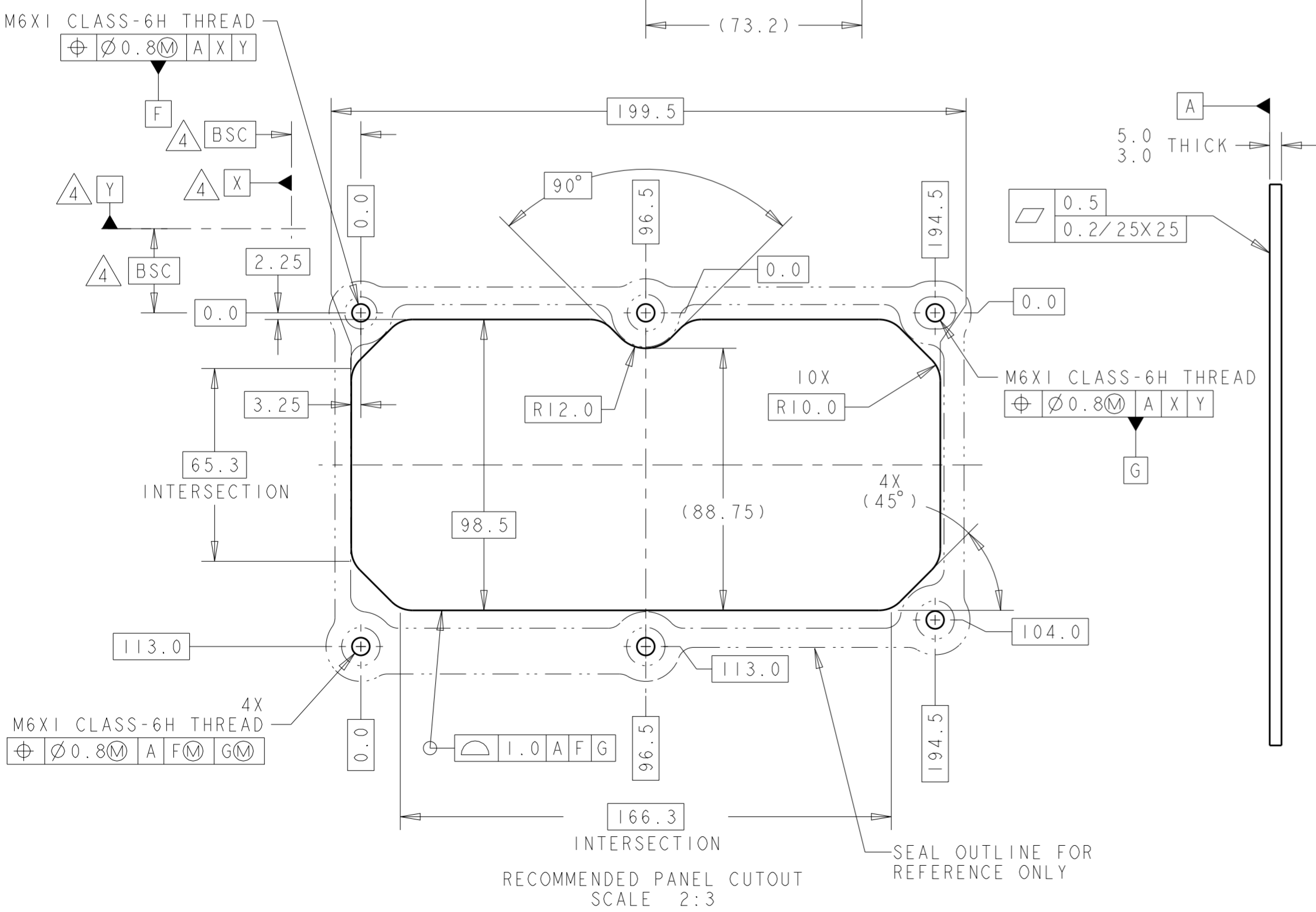


THIS DRAWING IS UNPUBLISHED. RELEASED FOR PUBLICATION 20
 © COPYRIGHT 20 BY - ALL RIGHTS RESERVED.

LOC	DIST	REVISIONS			
P	LTR	DESCRIPTION	DATE	DWN	APVD
FX	00				
	B4	REVISED PER ECO-12-015213	23AUG2012	DD	DS
	B5	REVISED PER ECO-13-002502	18FEB2013	DD	DS



- 1. MATERIALS - FRAME: >PBT-GF30<, COLOR: BLACK
SEAL: SILICONE RUBBER, COLOR: ORANGE
- 2. FRAME ACCEPTS ANY COMBINATION OF 39-WAY TAB HOUSING (1718323), 62-WAY TAB HOUSING (1718324), OR BLOCK OFF PLATE (2098819)
- 3. CONNECTORS ARE SECURED USING LOCKING SLIDE (1718329-1) PURCHASED SEPARATELY.
- 4. DATUMS AND BASIC DIMENSIONS ESTABLISHED BY CUSTOMER.
- 5. FRAME IS SECURED TO PANEL WITH SIX M6 FASTENERS. MAX TORQUE: 75 IN-LBS. WASHER DIAMETER: 14.4±0.4 HEAD HEIGHT: 4.5 MAX



2098891-2
TE PN

THIS DRAWING IS A CONTROLLED DOCUMENT.		DWN	J. SANDBURG	22MAR2010	TE Connectivity NAME FLANGE ASSEMBLY FOUR BAY SEALED FOR MCP 39-WAY AND 62-WAY TAB HOUSINGS SIZE CAGE CODE DRAWING NO A200779 C-2098891 RESTRICTED TO - SCALE 2:3 SHEET 1 OF 1 REV B5
DIMENSIONS: mm		CHK	J. SANDBURG	22MAR2010	
TOLERANCES UNLESS OTHERWISE SPECIFIED:		APVD	J. SANDBURG	22MAR2010	
0 PLC ± 1 PLC ± 2 PLC ± 3 PLC ± 4 PLC ± ANGLES ±2 FINISH		PRODUCT SPEC			
MATERIAL		APPLICATION SPEC			
		WEIGHT			
		Customer Drawing			

X-ON Electronics

Largest Supplier of Electrical and Electronic Components

Click to view similar products for [Automotive Connectors](#) category:

Click to view products by [TE Connectivity](#) manufacturer:

Other Similar products are found below :

[003-018-000](#) [60993906-B](#) [M902-2131](#) [M902-2161](#) [M902-2344](#) [72.330.1035.1](#) [73.353.4028.0](#) [F166900](#) [F358300-B](#) [F407400](#) [776880-1](#)
[827153-1](#) [8N1515-32-24P](#) [9-1326729-8](#) [925474-1](#) [928905-1](#) [964562-4](#) [968782-1](#) [98891-1012](#) [12004475-L](#) [12020308](#) [12041318-B](#)
[12052466](#) [12064869](#) [12015909](#) [1-21030-1](#) [12041254](#) [12041318](#) [12047946-B](#) [12110546-B](#) [12131792](#) [12084688](#) [12092346](#) [HD34-18-14PT](#)
[HD46-24-23SN-059](#) [HDB36-24-16PN-059](#) [HDP26-24-9SE-L015](#) [12185280](#) [12185550](#) [12336-12](#) [12191172-B](#) [12S](#) [13545280](#) [13577943](#)
[13681974](#) [13737722-B](#) [13830674](#) [13832576](#) [13849772](#) [13542772](#)