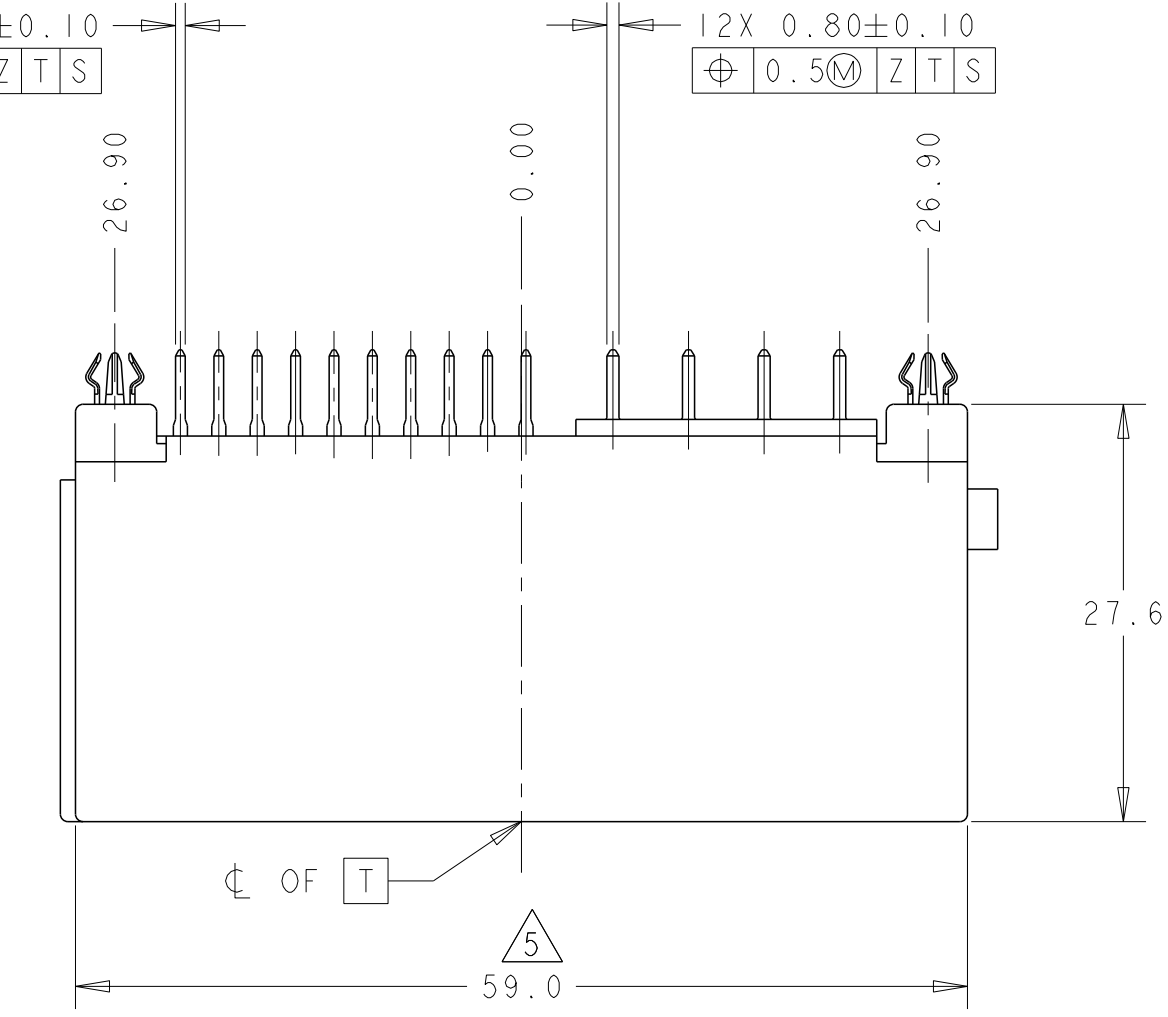
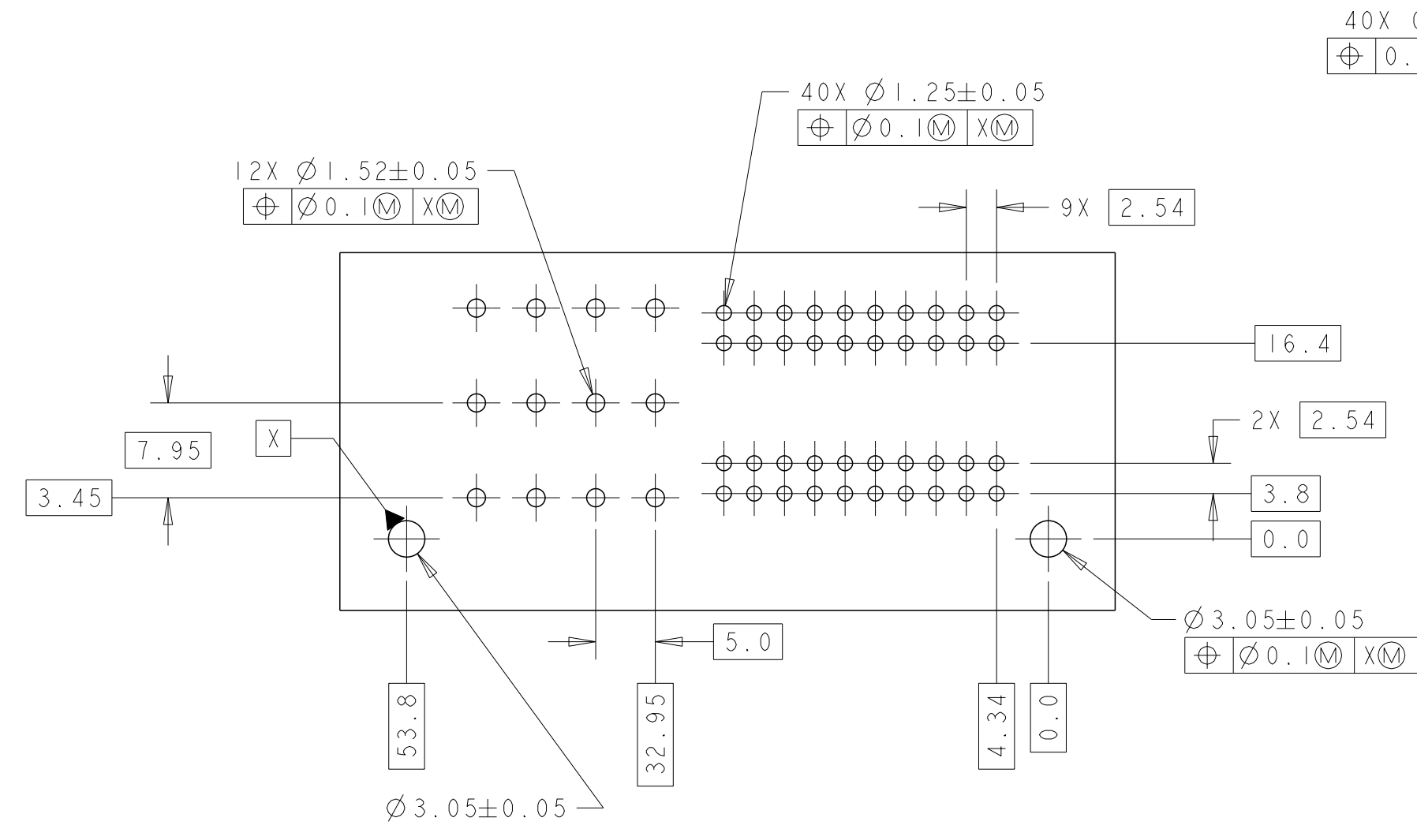


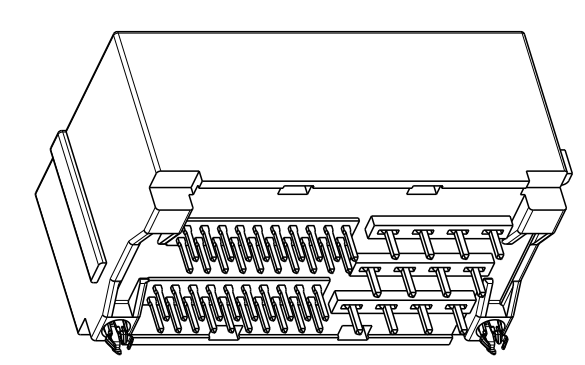
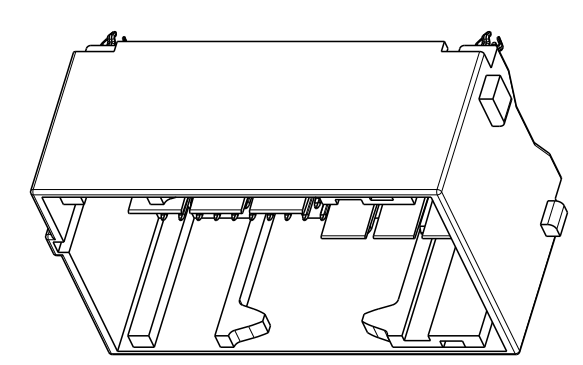
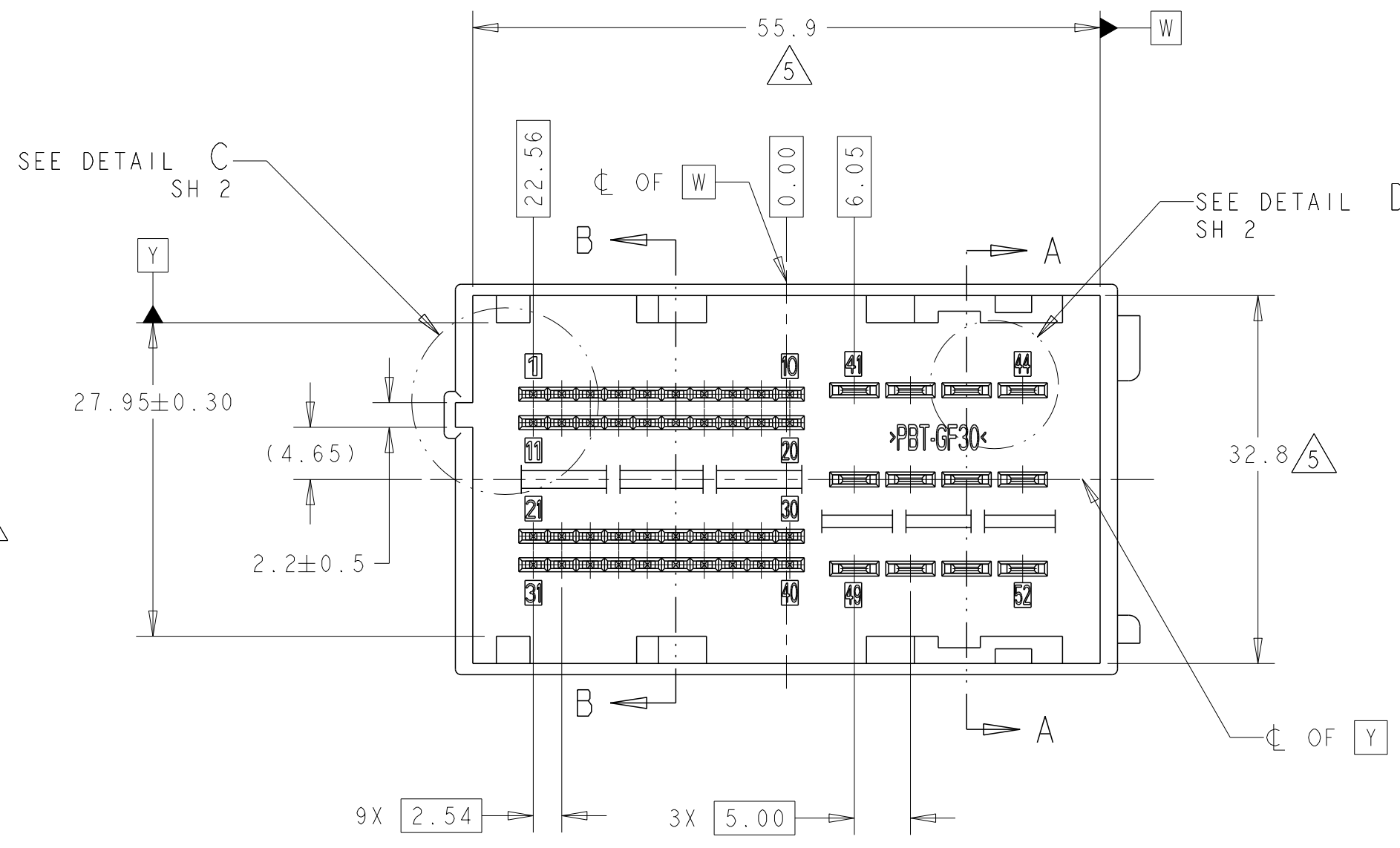
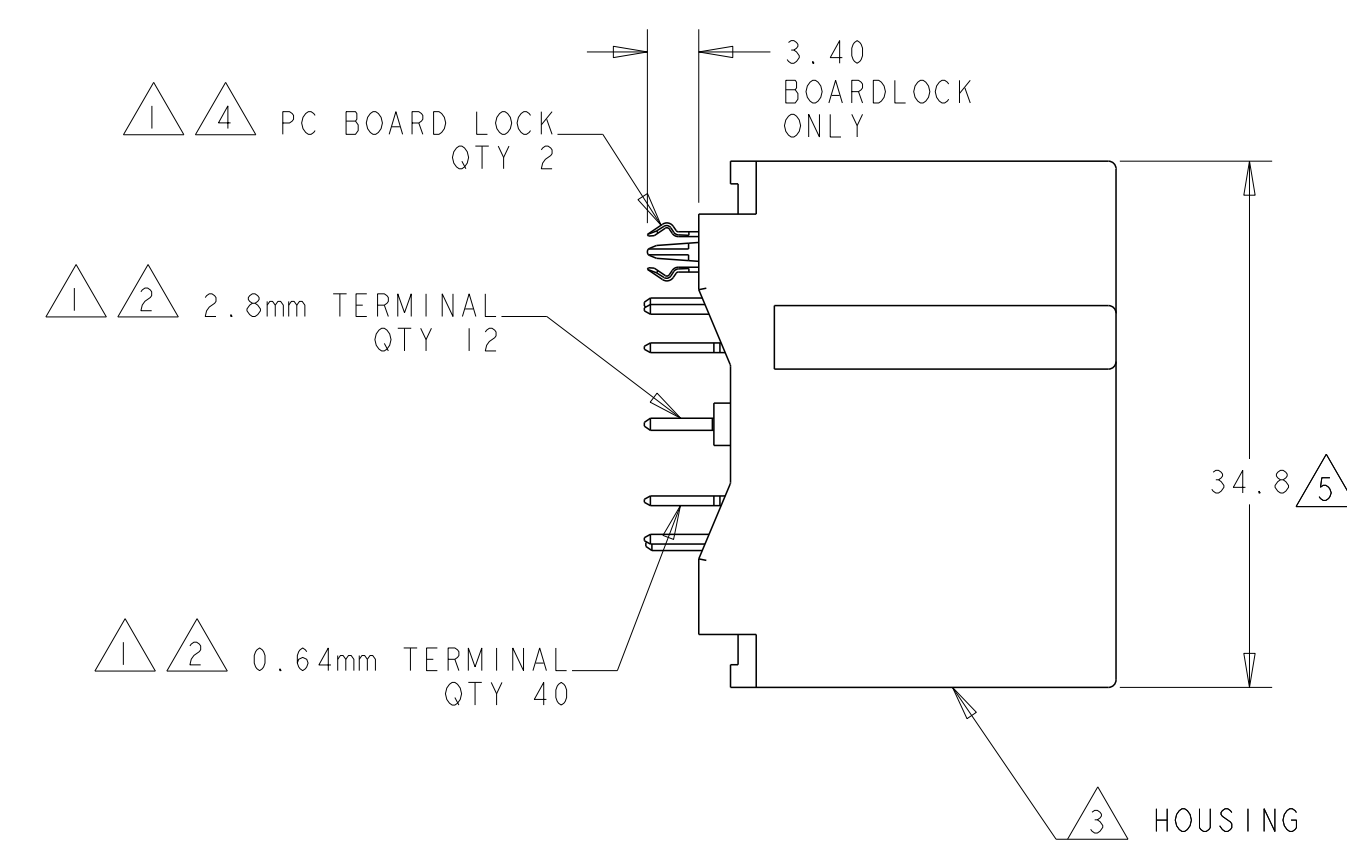
THIS DRAWING IS UNPUBLISHED. RELEASED FOR PUBLICATION 20  
 © COPYRIGHT 20 BY - ALL RIGHTS RESERVED.

REVISIONS				
P	LTR	DESCRIPTION	DATE	APVD
D		REVISED PER ECO 11-022200	03NOV2011	DD CA
DI		REVISED PER ECO 15-012318	25AUG2015	DD MB



- 1 MATERIAL: BRASS, TEMPER H04.
- 2 FINISH: MATING END - 0.0008-0.0016 THICK MATTE TIN  
SOLDER TAIL - 0.0038 - 0.0064 THICK MATTE TIN ALL  
OVER 0.0012 MINIMUM NICKEL
- 3 MATERIAL: 30% GLASS FILLED PBT;  
COLOR: BLACK
- 4 FINISH: 3.8µm MIN TIN OVER 1.2µm MIN NICKEL
- 5 DIMENSION APPLIES AT CORNERS.
- 6 (5.70mm±0.25mm) 0.64mm TERMINAL SOLDER TAIL LENGTH  
APPLIES TO THE 2098978-1.  
2.8mm TERMINAL SOLDER TAIL LENGTH REMAINS AT 5.60±0.25mm.
- 7 (4.75mm±0.25mm) 0.64mm TERMINAL SOLDER TAIL LENGTH  
APPLIES TO THE 2098978-2.  
2.8mm TERMINAL SOLDER TAIL LENGTH REMAINS AT 5.60±0.25mm.

RECOMMENDED PCB LAYOUT



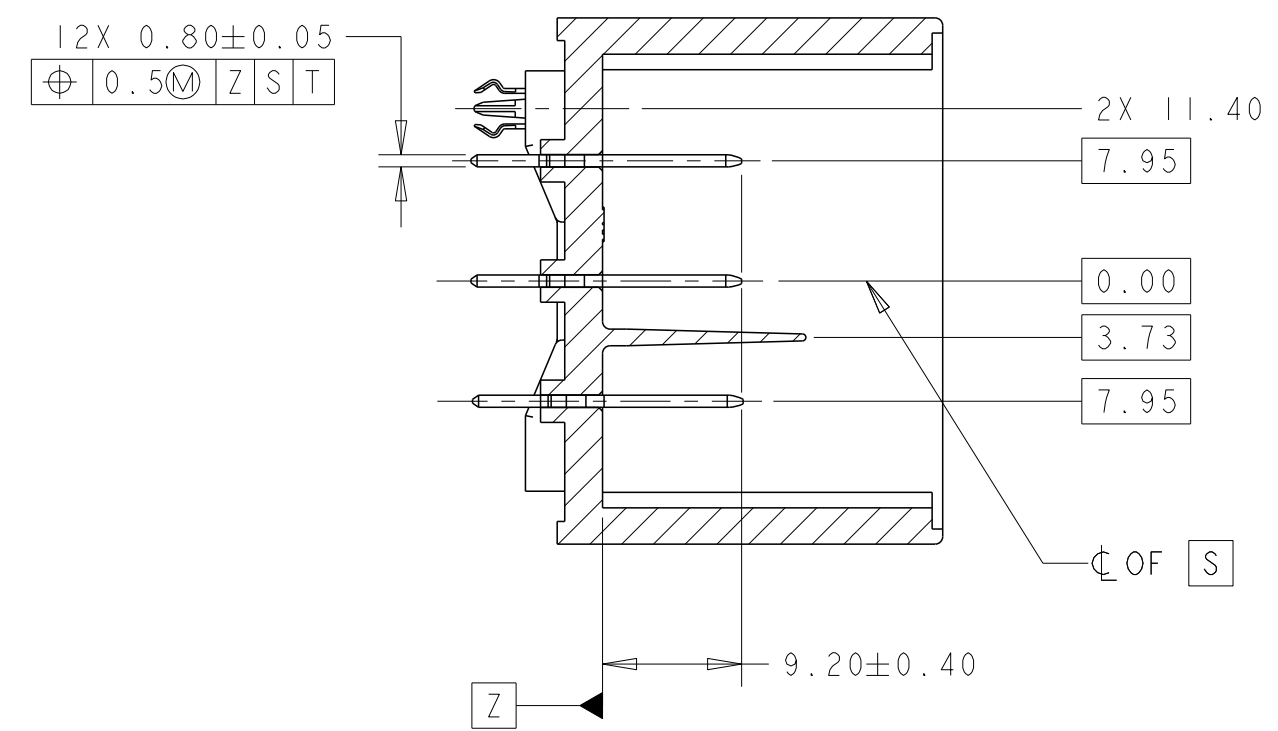
SCALE 1:1

7	2098978-2
6	2098978-1
PART NUMBER	

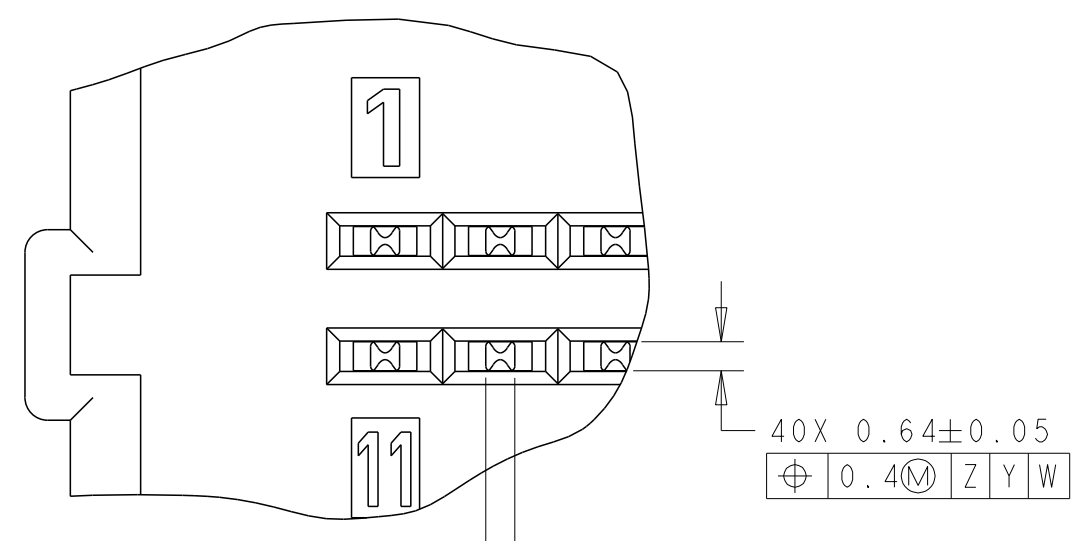
THIS DRAWING IS A CONTROLLED DOCUMENT.		DWN R. VESTAL 31AUG2010	TE Connectivity	
DIMENSIONS: mm		CHK C. ALLGOOD 31AUG2010		
TOLERANCES UNLESS OTHERWISE SPECIFIED:		APVD C. ALLGOOD 31AUG2010	NAME	
0 PLC ±0.5		PRODUCT SPEC	HEADER ASSEMBLY, 52 POSITION, 0.64mm AND 2.8mm	
1 PLC ±0.5		APPLICATION SPEC	SIZE	RESTRICTED TO
2 PLC ±0.30			CAGE CODE	
3 PLC ±			DRAWING NO	
4 PLC ±			A200779	
ANGLES ±		WEIGHT	C-2098978	
FINISH ±		CUSTOMER DRAWING	SCALE 2:1	SHEET 1 OF 2

THIS DRAWING IS UNPUBLISHED. RELEASED FOR PUBLICATION 20  
 © COPYRIGHT 20 BY - ALL RIGHTS RESERVED.

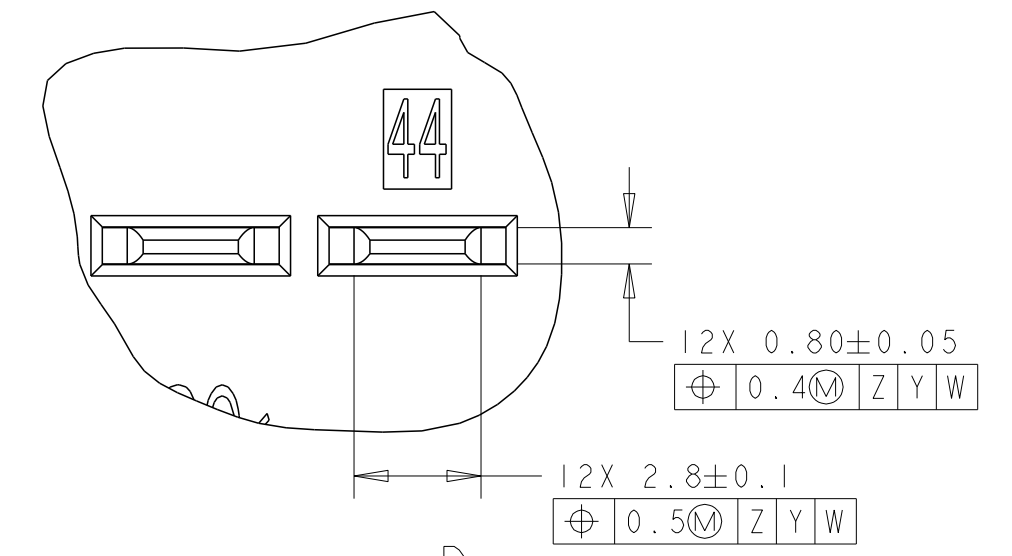
REVISIONS				
P	LTR	DESCRIPTION	DATE	APVD
-	-	SEE SHEET 1	-	-



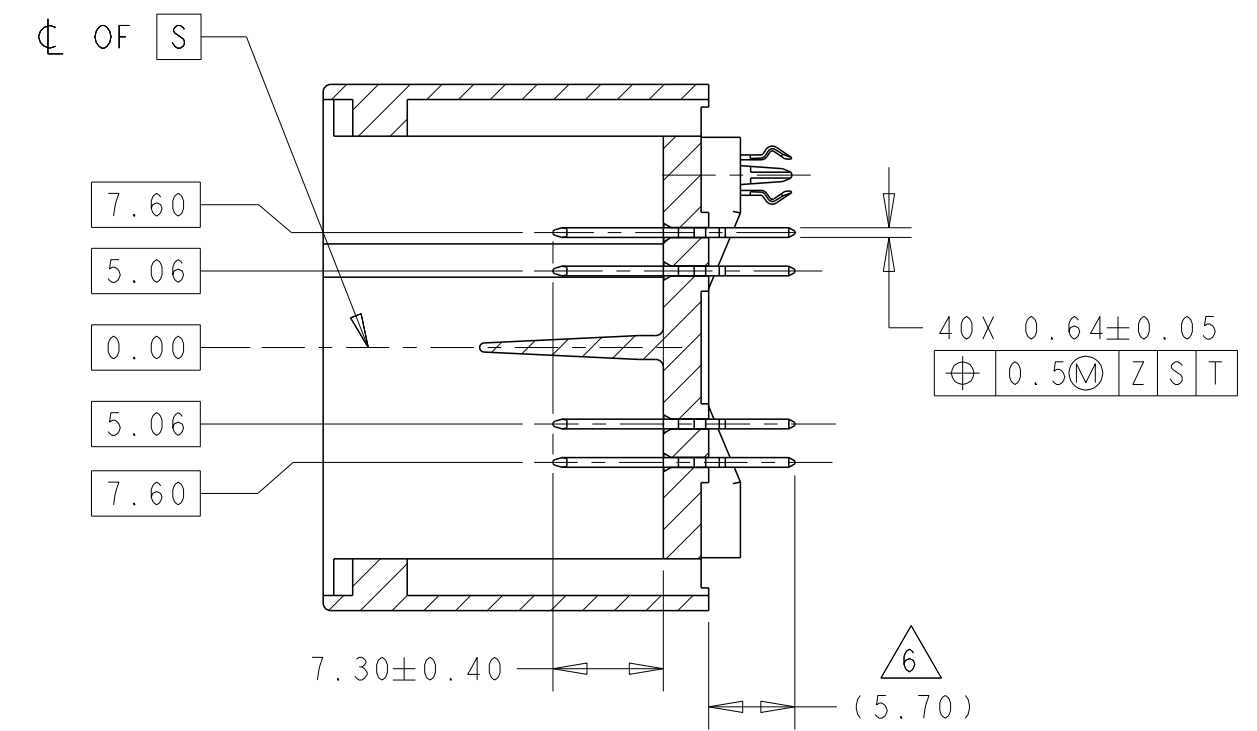
SECTION A-A  
 2098978-1 AND 2098978-2  
 THROUGH 2.8mm BLADES



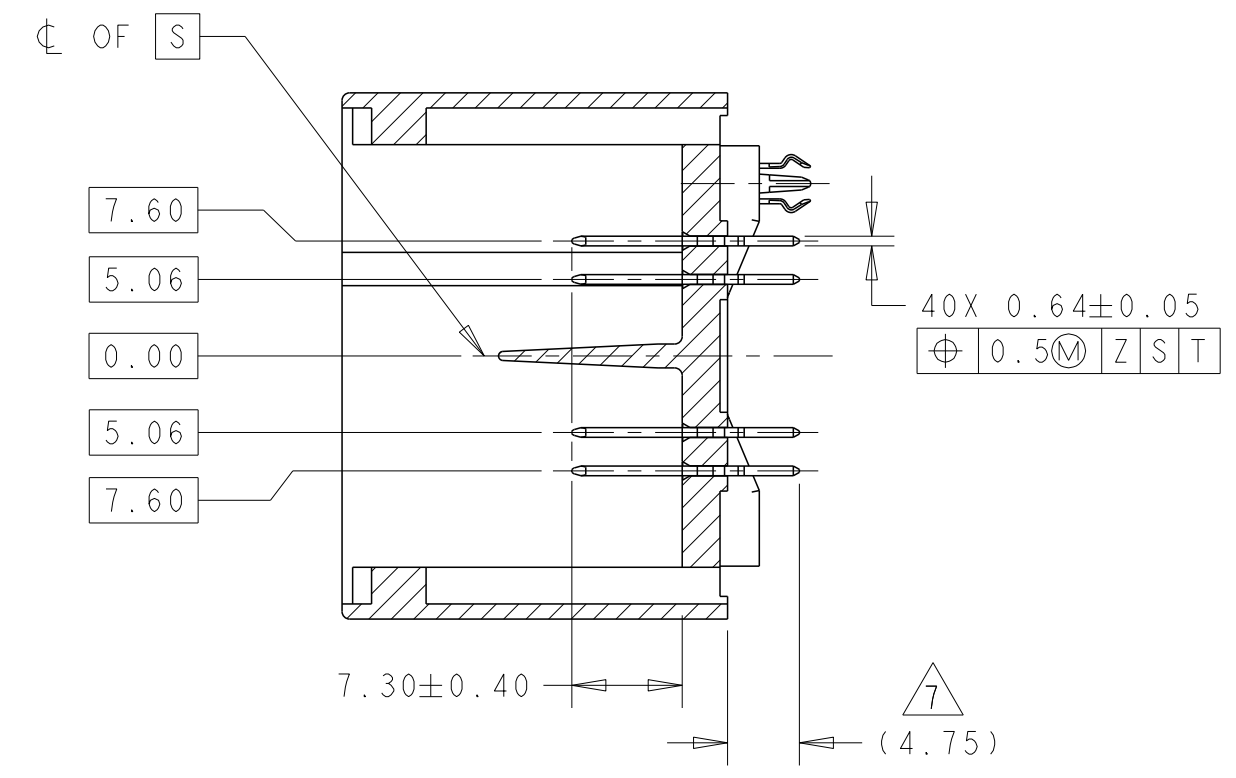
DETAIL C  
 SCALE 6:1



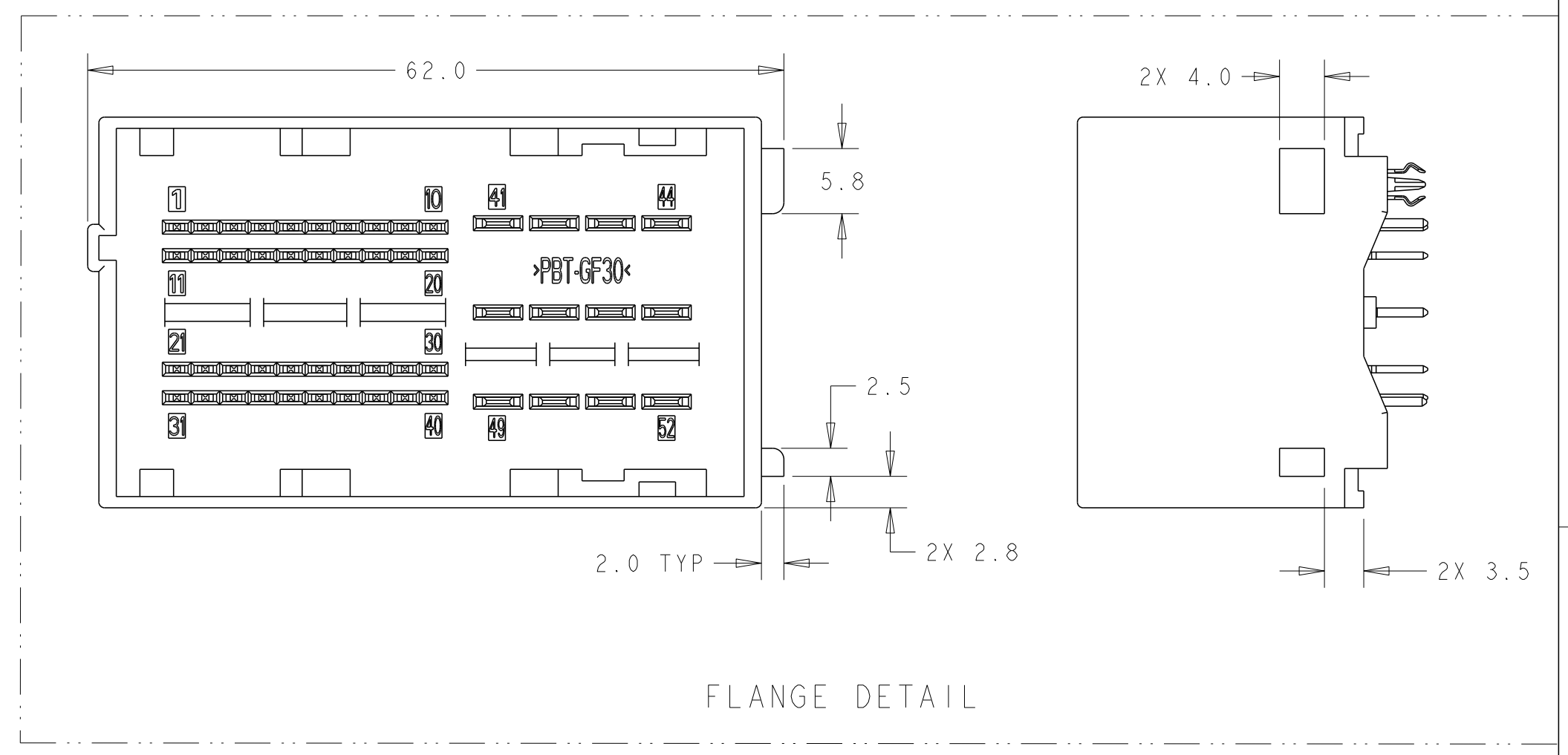
DETAIL D  
 SCALE 6:1



SECTION B-B  
 2098978-1  
 THROUGH 0.64mm BLADES



SECTION B-B  
 2098978-2  
 THROUGH 0.64mm BLADES



FLANGE DETAIL

THIS DRAWING IS A CONTROLLED DOCUMENT.		DWN R. VESTAL 31AUG2010	TE Connectivity	
DIMENSIONS: mm		CHK C. ALLGOOD 31AUG2010		
TOLERANCES UNLESS OTHERWISE SPECIFIED:		APVD C. ALLGOOD 31AUG2010	NAME	
0 PLC ±0.5		PRODUCT SPEC	HEADER ASSEMBLY, 52 POSITION, 0.64mm AND 2.8mm	
1 PLC ±0.5		APPLICATION SPEC	SIZE	RESTRICTED TO
2 PLC ±0.30			A200779	
3 PLC ±		WEIGHT	C-2098978	
4 PLC ±		CUSTOMER DRAWING	SCALE 2:1	SHEET 2 OF 2
ANGLES ±				REV D1
FINISH ±				

## X-ON Electronics

Largest Supplier of Electrical and Electronic Components

*Click to view similar products for [Automotive Connectors](#) category:*

*Click to view products by [TE Connectivity](#) manufacturer:*

Other Similar products are found below :

[003-018-000](#) [60403001](#) [60993906-B](#) [M902-2131](#) [M902-2161](#) [72.330.1035.1](#) [73.353.4028.0](#) [F119300-B](#) [F166900](#) [F258300-B](#) [F358300-B](#)  
[F407400](#) [F444110](#) [F487000](#) [F509500B-B](#) [827153-1](#) [8N1515-32-24P](#) [9-1326729-8](#) [925474-1](#) [928905-1](#) [964562-4](#) [968782-1](#) [GT17SA-8DS-](#)  
[HU](#) [98891-1012](#) [98947-1016](#) [12004147](#) [12004475-L](#) [12010290](#) [12010309-B](#) [12015454](#) [12020219-B](#) [12020308](#) [12041318-B](#) [12052225-L](#)  
[12052466](#) [12059125](#) [12064869](#) [12004327-B](#) [12010503-B](#) [12015308](#) [12015384](#) [12015909](#) [1-21030-1](#) [12041254](#) [12041318](#) [12047946-B](#)  
[12047957](#) [12047957-L](#) [12059473](#) [12066261](#)