

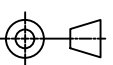


# CODE 40 - LOW PROFILE HEAT SHRINK BOOT BACKSHELL

209M312-19B

SERIES \_\_\_\_\_  
 ORDER NUMBER (TABLE 1) \_\_\_\_\_  
 MATERIAL \_\_\_\_\_  
 REFER TO CH00-0250-004  
 FINISH \_\_\_\_\_  
 REFER TO CH00-0250-004

## NOTES:

1. THIS PRODUCT IS DESIGNED TO TERMINATE A HEAT SHRINKABLE LIPPED BOOT TO A CONNECTOR.
2. FOR ADDITIONAL DIMENSIONS, ORDERING INFORMATION AND MODIFICATIONS, SEE CH00-0250-004.
3. BACKSHELL TO BE PERMANENTLY MARKED/BAGGED AND LABELLED WITH CODE IDENTIFICATION NUMBER AND PART NUMBER. (e.g. 06090-209M312-19B).
4. KNURL INSIDE BOOT GROOVE MAY BE SUPPLIED AT MANUFACTURER'S OPTION.
5. BACKSHELL MATES TO MIL-C-38999 SERIES III & IV, CLASS C, F, K AND W, D38999/20, /24, /26, /40, /46, /47 CONNECTORS AND WHEN SO MATED SHALL PROVIDE A WATER-TIGHT SEAL MEETING THE REQUIREMENTS OF MIL-C-85049, PAR. 3.5.7.

DRAWN	W.RUST	DATE	14/09/2015	 3RD ANGLE PROJECTION NOT TO SCALE	<b>TITLE:</b>  <b>LOW PROFILE HEAT SHRINK BOOT BACKSHELL</b>	 <b>Polamco</b> 
CHECKED		DATE	14/09/2015			
APPROVED	K.SHEPPARD	DATE	09/10/2015	UNLESS OTHERWISE SPECIFIED ALL DIMENSIONS IN MILLIMETRES GENERAL TOL LINEAR +/-0,25MM ANGULAR +/- 1°	<b>ASSY USED ON:</b>  <b>MIL-DTL-38999 SERIES III &amp; IV</b>	DRAWING NO: <b>209M3XX</b>
APPROVED	H.SMITH	DATE	14/10/2015			
REVISIONS						DRAWING REV: <b>G</b>
LTR	DESCRIPTION	DATE	APPROVED			SHT <b>1</b>
F	REVISED PER ECO-15-003649	03/06/15	I.MYONG			
G	REVISED PER ECO-15-013980	14/10/2015	H.SMITH			
TE CAGE CODE: 06090 POLAMCO/TE CAGE CODE: U5792					TE CONNECTIVITY - POLAMCO LTD RESERVES THE RIGHT TO AMEND THIS DRAWING AND THE INFORMATION SET FORTH HEREON AT ANY TIME. USERS SHOULD INDEPENDENTLY EVALUATE THE SUITABILITY OF THE PRODUCT FOR THEIR APPLICATION.	

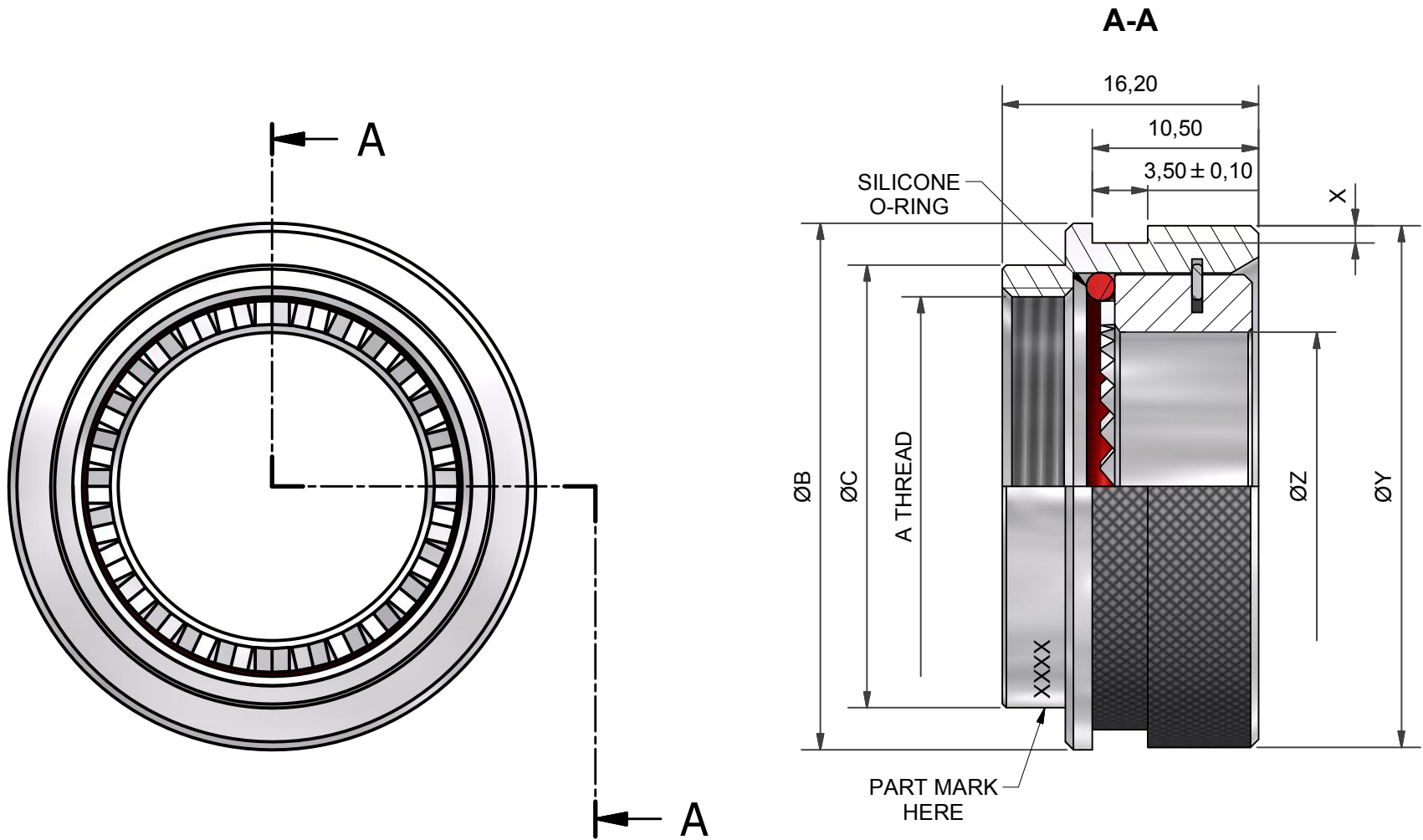
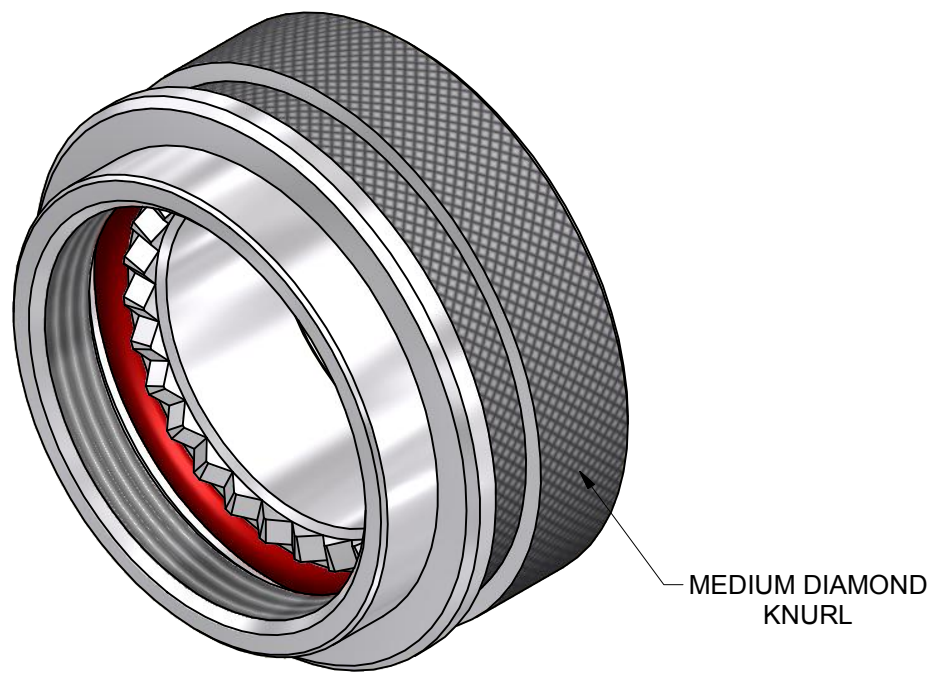


TABLE 1

BASE PART NUMBER	SHELL SIZE COM'L / MIL ⑤	A THREAD	ØB MAX	ØC MAX	X MIN	ØY +0/-0,40	ØZ ±0,15
209M308	9 / A	M12 x 1.0	19,1	15,0	1,1	17,5	6,8
209M310	11 / B	M15 x 1.0	22,3	18,0	1,1	20,7	10,3
209M312	13 / C	M18 x 1.0	25,4	21,0	1,1	23,9	13,1
209M314	15 / D	M22 x 1.0	30,3	25,0	1,1	28,7	16,3
209M316	17 / E	M25 x 1.0	33,3	28,0	1,1	33,0	19,5
209M318	19 / F	M28 x 1.0	36,5	31,0	1,1	35,0	21,9
209M320	21 / G	M31 x 1.0	38,1	34,0	1,7	36,5	25,1
209M322	23 / H	M34 x 1.0	41,3	37,0	1,7	39,8	28,3
209M324	25 / J	M37 x 1.0	44,5	40,0	1,7	43,0	31,5

DRAWN	W.RUST	DATE	14/09/2015	 3RD ANGLE PROJECTION NOT TO SCALE
CHECKED		DATE	14/09/2015	
APPROVED	K.SHEPPARD	DATE	09/10/2015	UNLESS OTHERWISE SPECIFIED ALL DIMENSIONS IN MILLIMETRES GENERAL TOL LINEAR +/-0,25MM ANGULAR +/- 1°
APPROVED	H.SMITH	DATE	14/10/2015	
REVISIONS				
LTR	DESCRIPTION	DATE	APPROVED	
F	REVISED PER ECO-15-003649	03/06/15	I.MYONG	
G	REVISED PER ECO-15-013980	14/10/2015	H.SMITH	
TE CAGE CODE: 06090 POLAMCO/TE CAGE CODE: U5792				

TITLE:  
**LOW PROFILE HEAT SHRINK BOOT BACKSHELL**

ASSY USED ON:  
**MIL-DTL-38999 SERIES III & IV**

TE CONNECTIVITY - POLAMCO LTD RESERVES THE RIGHT TO AMEND THIS DRAWING AND THE INFORMATION SET FORTH HEREON AT ANY TIME. USERS SHOULD INDEPENDENTLY EVALUATE THE SUITABILITY OF THE PRODUCT FOR THEIR APPLICATION.

Polamco

TE connectivity

DRAWING NO: <b>209M3XX</b>	DRAWING REV: <b>G</b>	SHT <b>2</b>
-------------------------------	--------------------------	-----------------

## X-ON Electronics

Largest Supplier of Electrical and Electronic Components

*Click to view similar products for [Circular MIL Spec Strain Reliefs & Adapters](#) category:*

*Click to view products by [TE Connectivity](#) manufacturer:*

Other Similar products are found below :

[896227-000](#) [899170S004](#) [0113-023-000](#) [6000-063-0022](#) [CS6624-000](#) [620AB038Z136](#) [620AS001Z108](#) [620AS038Z112](#) [620AS038Z120](#)  
[620AS038Z132](#) [620FB038NF08](#) [620HA038NF09](#) [620HA038NF11](#) [620HA038NF13](#) [620HA038NF25](#) [620HB049NF17](#) [620HS038NF11](#)  
[620HS038Z121](#) [620HS042XM19](#) [620HS042XM25](#) [620HS048B17](#) [620MS064NF12](#) [620MS065Z107](#) [620MS065ZNU06](#) [627-123NF21-11](#)  
[627-125NF23-6](#) [630J041M06H](#) [630J041M20H](#) [637S010NF0212H](#) [637S010NF0416A](#) [640830-000](#) [659943-000](#) [66241-10A](#) [CW0597-000](#)  
[CW0598-000](#) [CW0948-000](#) [CY0122-000](#) [M85049/41-6A W/B](#) [M85049/42-12DS](#) [M85049/47N8](#) [M85049/51-1-14S](#) [M85049/51S16S](#)  
[M85049/60-1N16](#) [M85049/60-2G12W](#) [M85049/69-11N](#) [CZ3661-000](#) [D02922-000](#) [70.360.1628.0](#) [703797-000](#) [705825-000](#)